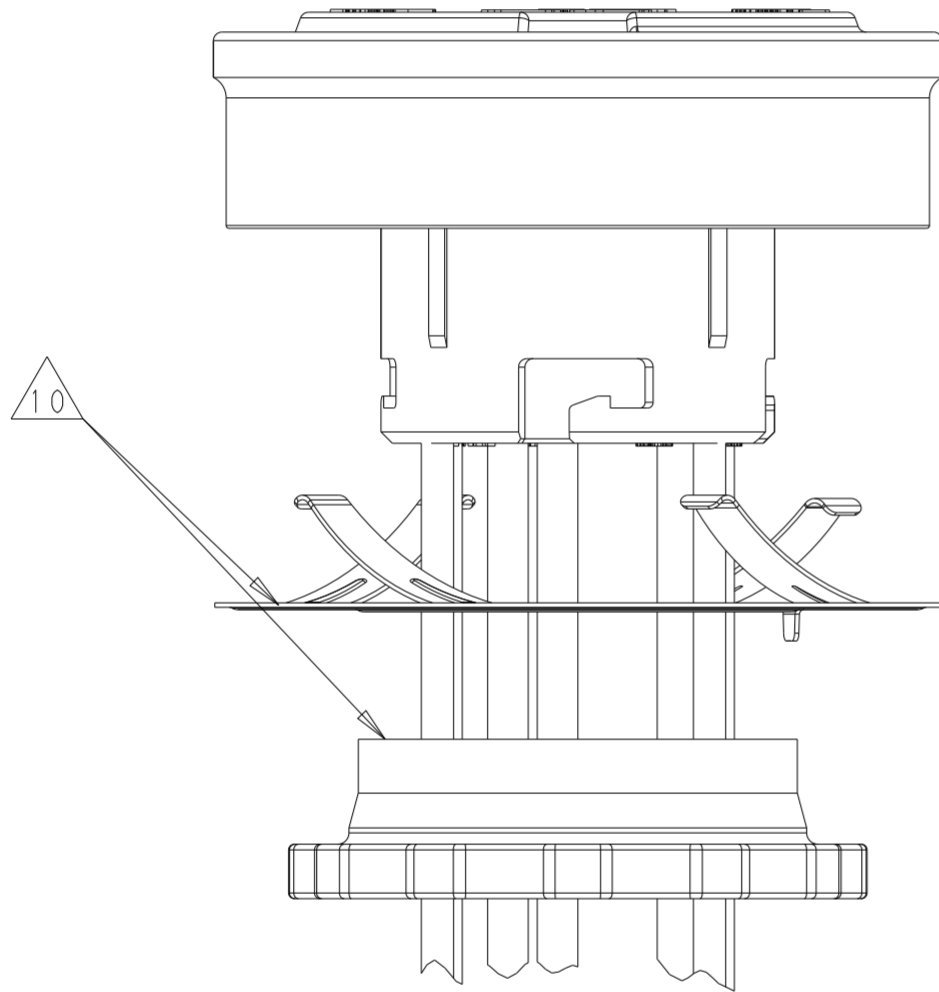
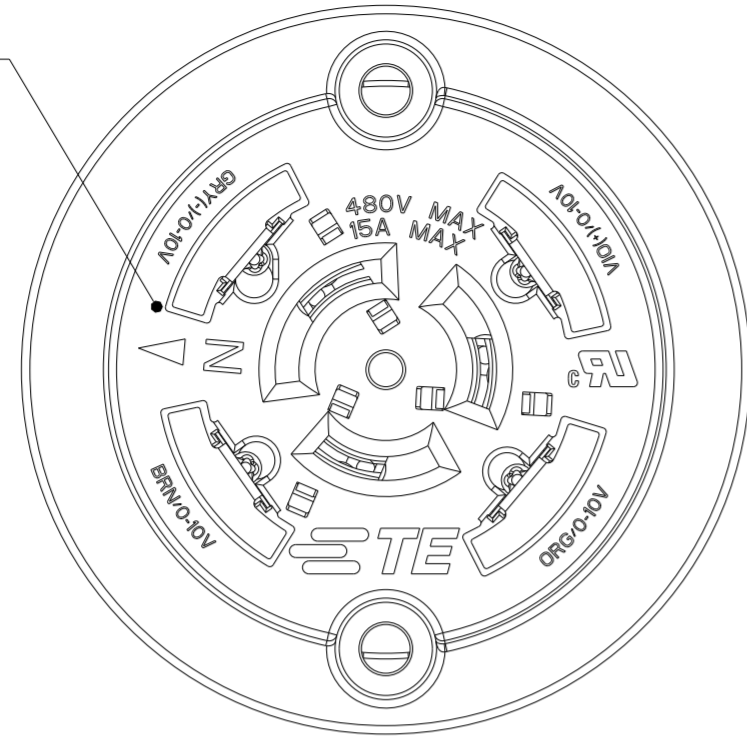


| LOC |     | DIST                      |  | REVISIONS |     |      |  |
|-----|-----|---------------------------|--|-----------|-----|------|--|
| P   | LTR | DESCRIPTION               |  | DATE      | DWN | APVD |  |
|     | A1  | ECO-18-014097             |  | 06SEP2018 | GCM | DD   |  |
|     | A2  | ECR-18-016855             |  | 26OCT2018 | SR  | DD   |  |
|     | A3  | ECR-18-017279             |  | 06NOV2018 | SR  | DD   |  |
|     | B   | REVISED PER ECR-21-118984 |  | 11NOV2021 | SD  | MM   |  |

SEE SHEET 2 FOR WIRING COLOR CODE




NOTES:

1. MATERIALS:  
 HOUSING: GLASS-FILLED THERMOPLASTIC, UL 94V-0 RATED  
 DIMMING CONTACTS (2 OR 4): COPPER ALLOY  
 LINE VOLTAGE CONTACTS (3): COPPER ALLOY  
 SPRING PLATE: STAINLESS STEEL  
 LOCKING RING: PBT
2. FINISH:  
 DIMMING CONTACTS (2 OR 4): NICKEL UNDERPLATE ENTIRE CONTACT  
 0.127 μm MIN THICK. GOLD PLATE CONTACT PAD AREA (MATING FACE SIDE ONLY) 0.76 μm MIN THICK. MATTE TIN PLATE TAB ON BOTH SIDES  
 0.30 μm MIN THICK.  
 LINE VOLTAGE CONTACTS (3): TIN PLATE.
3. LINE VOLTAGE CONDUCTORS (3):  
 14 AWG, 600V, 150°C RATED, COPPER 41/30 STRANDED  
 PER UL STYLE AWM 3321.
4. MATING INTERFACE PER ANSI C136.41-2013.
5. OPTIONAL DIMMING CONTACTS (2) SUPPLIED.
6. DIMMING CONDUCTORS (2 OR 4):  
 18 AWG, 600V, 150°C RATED, 16/30 STRANDED,  
 PER UL STYLE AWM 3321.
7. LINE VOLTAGE CONDUCTORS (3):  
 14 AWG, 600V, 105°C RATED, COPPER 41/30 STRANDED.  
 PER UL STYLE AWM 1015.
8. DIMMING CONDUCTORS (2 OR 4):  
 18 AWG, 600V, 105°C RATED, COPPER 16/30 STRANDED.  
 PER UL STYLE AWM 1015.
9. MUST COMPLY WITH DIRECTIVE 2002/95/EC (ROHS)
10. LOCKING RING (REF P/N: 2333095-1) AND  
 SPRING PLATE (REF P/N: 2333094-1) NOT ASSEMBLED,  
 SHIPPED BULK PACKED
11. MUST BE USED WITH GASKET (REF P/N: 2332473-1) SOLD SEPARATELY

|             |       |            |                              |             |
|-------------|-------|------------|------------------------------|-------------|
| 304.8       | 291.3 | 7 AND 8    | 4 5                          | 2-2332966-4 |
| 304.8       | 291.3 | 7 AND 8    | 2                            | 2-2332966-3 |
| 304.8       | 291.3 | 3 AND 6    | 4 5                          | 2-2332966-2 |
| 304.8       | 291.3 | 3 AND 6    | 2                            | 2-2332966-1 |
| A           | B     | WIRE STYLE | QUANTITY OF DIMMING CONTACTS | PART NO.    |
| WIRE LENGTH |       |            |                              |             |

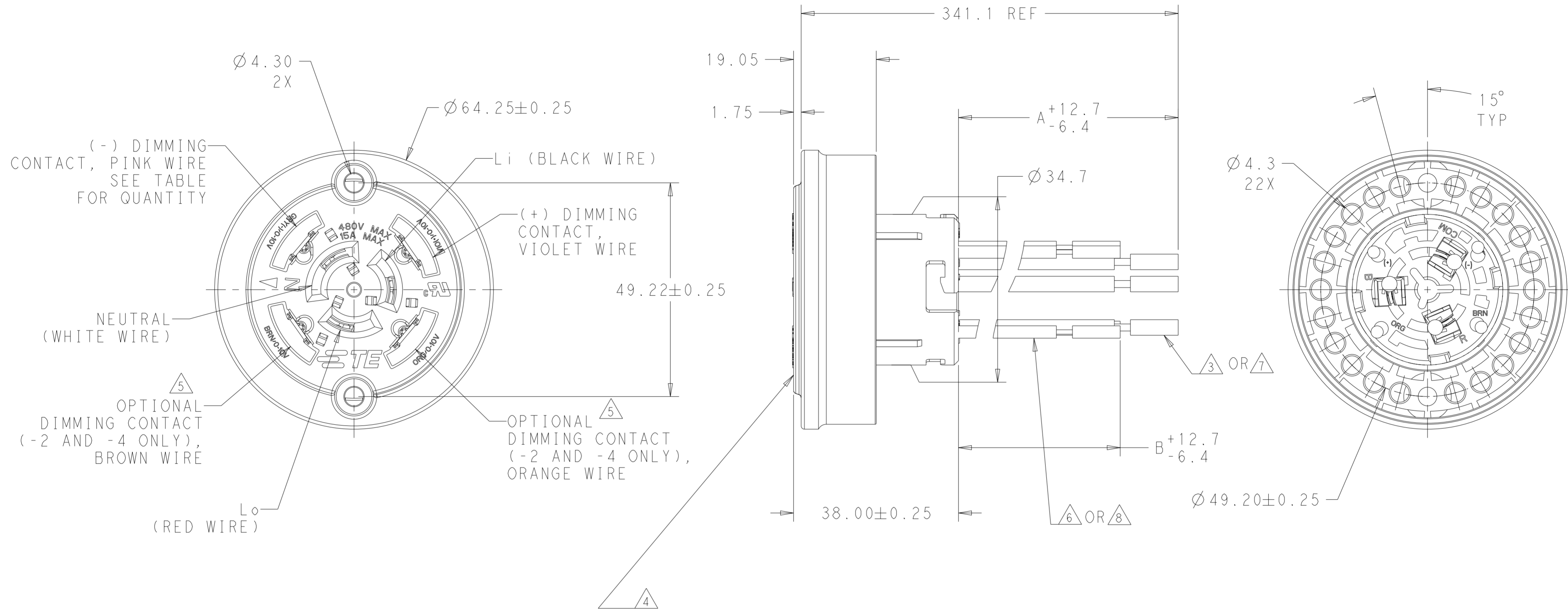
THIS DRAWING IS A CONTROLLED DOCUMENT.

|                                |   |
|--------------------------------|---|
| DWN<br>C. DAILY<br>15MAR2018   |  TE Connectivity |
| CHK<br>E. HOWARD<br>15MAR2018  |   |
| APVD<br>-                      | NAME<br>RECEPTACLE ASSEMBLY,<br>LUMAWISE ENDURANCE N<br>TOOL-LESS ROTATABLE                           |
| PRODUCT SPEC<br>108-133114     | SIZE<br>114-133114  |
| APPLICATION SPEC<br>114-133114 | RESTRICTED TO<br>-  |
| WEIGHT<br>-                    | SCALE<br>1:1  |
| CUSTOMER DRAWING               | SHEET 1 OF 3  |

REVISIONS: A2 00779 C-2332966 REV B

THIS DRAWING IS UNPUBLISHED. RELEASED FOR PUBLICATION 20  
 © COPYRIGHT 20 BY - ALL RIGHTS RESERVED.

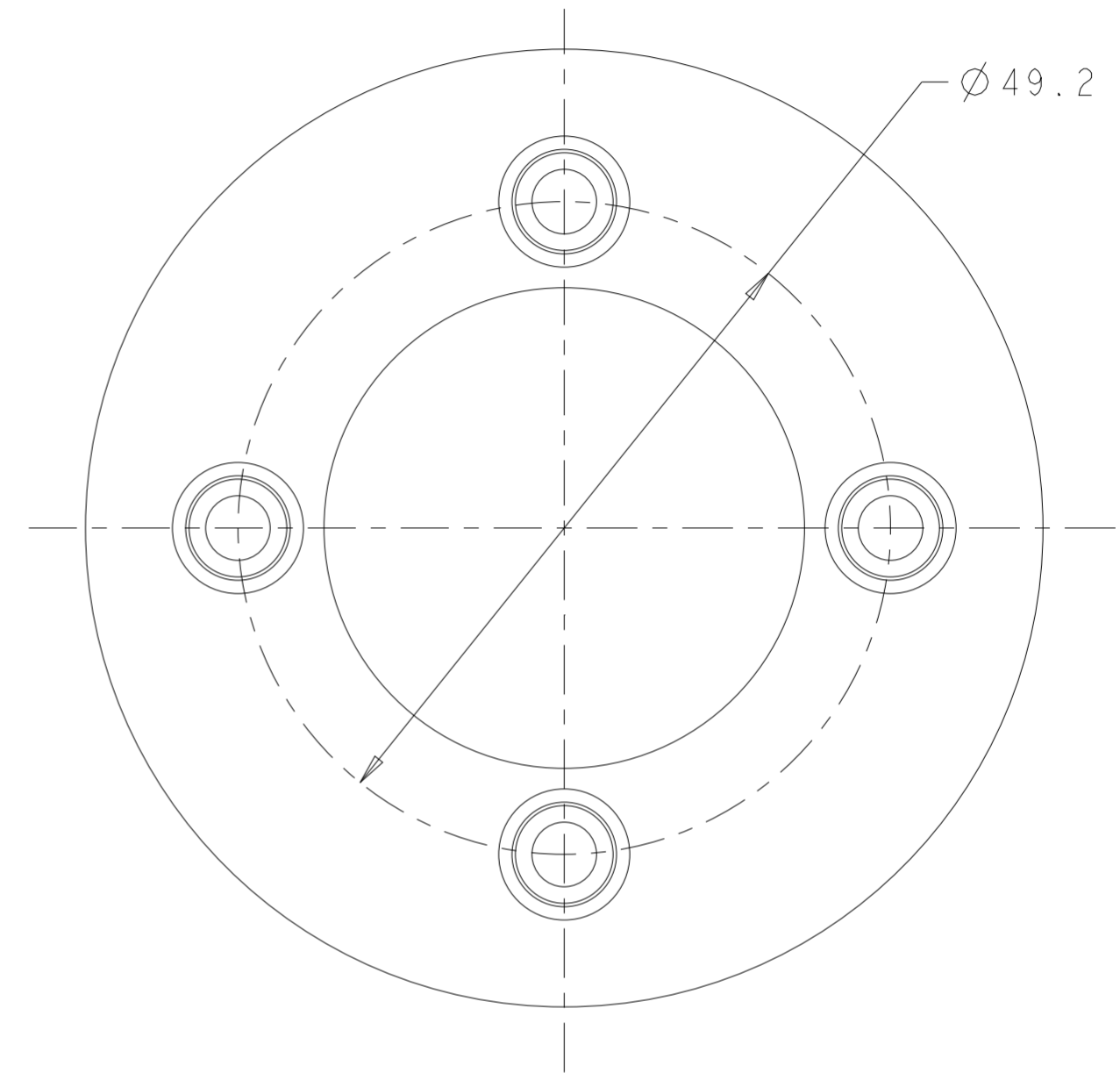
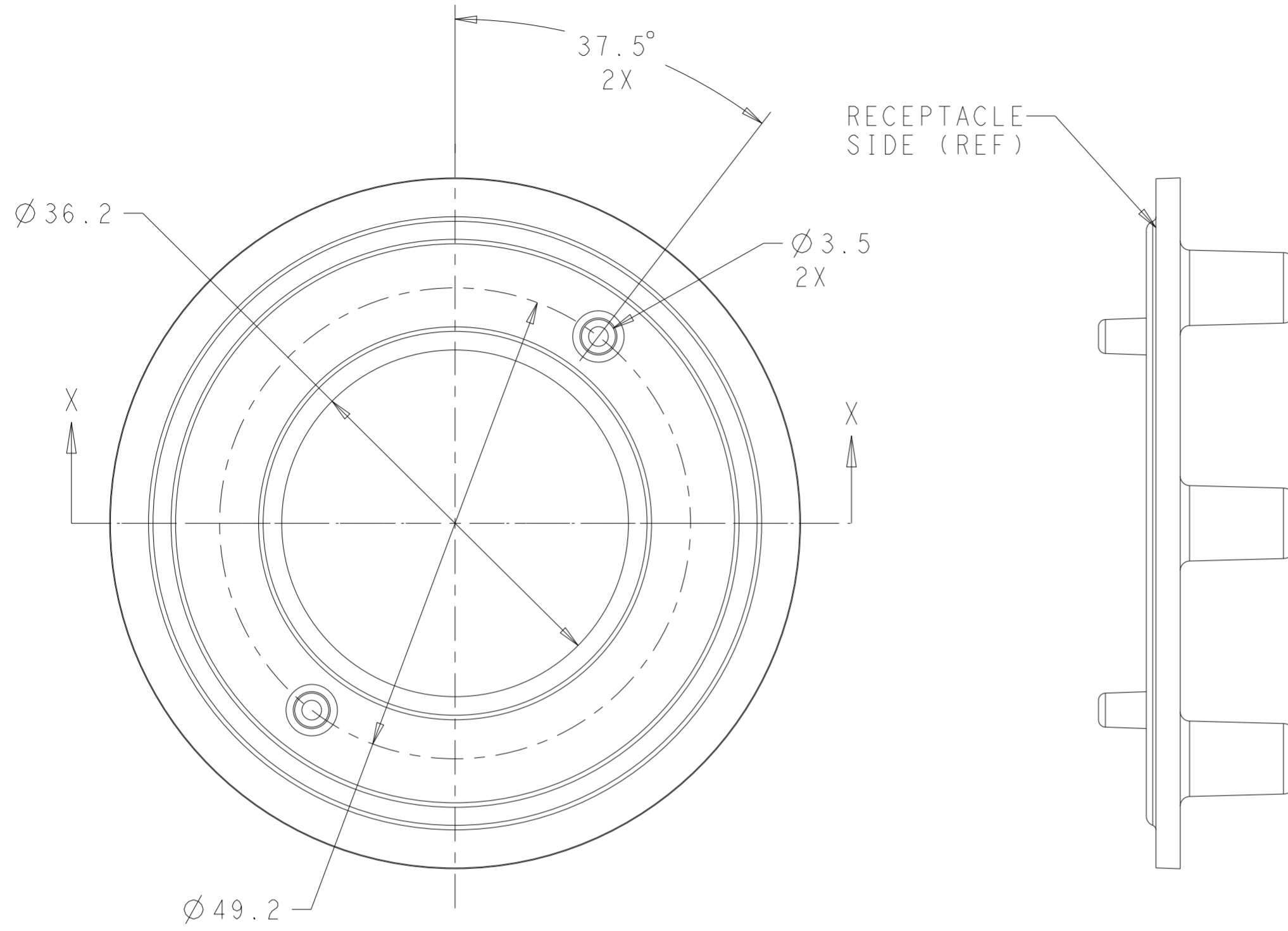
| REVISIONS |     |             |      |      |
|-----------|-----|-------------|------|------|
| P         | LTR | DESCRIPTION | DATE | APVD |
| -         | -   | SEE SHEET 1 | -    | -    |
|           |     |             |      |      |
|           |     |             |      |      |



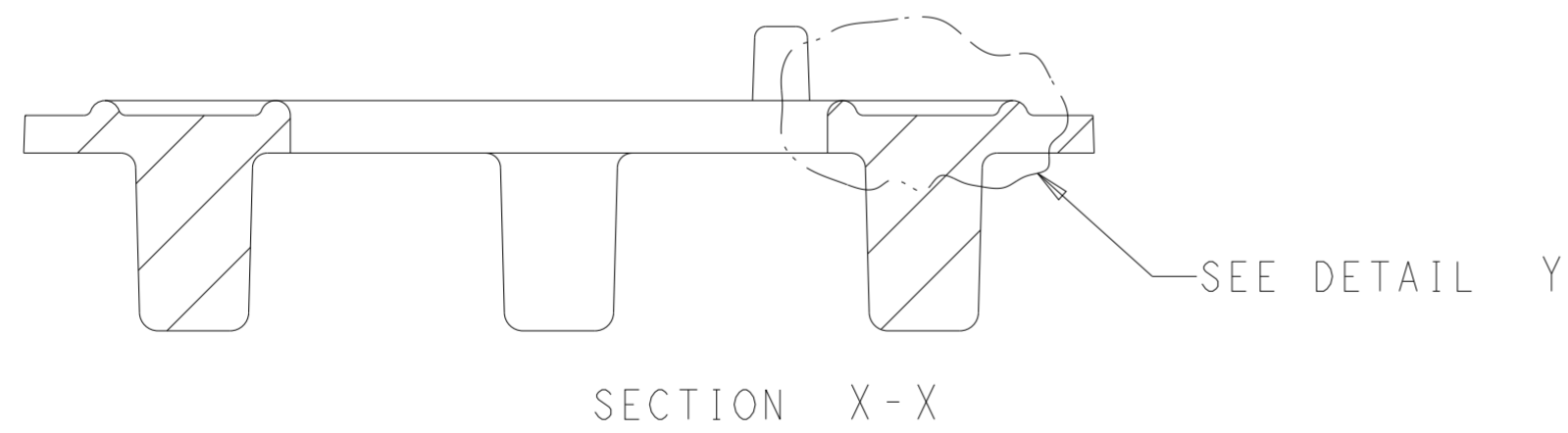
|  |  |  |                            |   |
|--|--|--|----------------------------|---|
| THIS DRAWING IS A CONTROLLED DOCUMENT. |  | DWN<br>C. DAILY<br>15MAR2018           | <b>STE</b> TE Connectivity |   |
|  |  | CHK<br>E. HOWARD<br>15MAR2018          |                            |   |
| DIMENSIONS:<br>mm                      |  | TOLERANCES UNLESS OTHERWISE SPECIFIED: |                            | NAME<br>RECEPTACLE ASSEMBLY,<br>LUMAWISE ENDURANCE N<br>TOOL-LESS ROTATABLE |
| 0 PLC ±                                |  | 1 PLC ±0.2                             |                            | PRODUCT SPEC<br>108-133114  |
| 2 PLC ±0.13                            |  | 3 PLC ±                                |                            | APPLICATION SPEC<br>114-133114  |
| 4 PLC ±                                |  | ANGLES ±1°                             |                            | SIZE<br>A2  |
| MATERIAL                               |  | FINISH                                 |                            | CAGE CODE<br>00779  |
|  |  |  |                            | DRAWING NO<br>C-2332966   |
|  |  |  |                            | RESTRICTED TO<br>-  |
|  |  | CUSTOMER DRAWING                       |                            | SCALE 1:1 SHEET 2 OF 3 REV B  |

THIS DRAWING IS UNPUBLISHED. RELEASED FOR PUBLICATION 20  
 © COPYRIGHT 20 BY - ALL RIGHTS RESERVED.

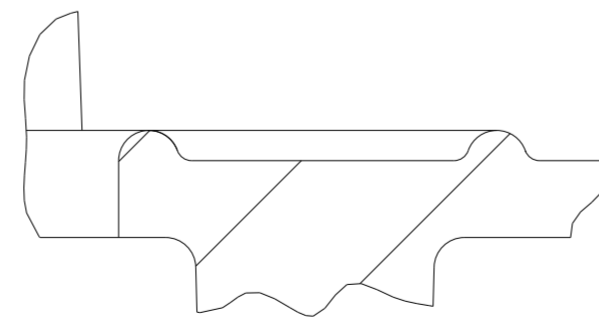
| LOC |     | DIST        |      | REVISIONS |      |  |  |
|-----|-----|-------------|------|-----------|------|--|--|
| P   | LTR | DESCRIPTION | DATE | DWN       | APVD |  |  |
| -   | -   | SEE SHEET 1 | -    | -         | -    |  |  |
|     |     |             |      |           |      |  |  |
|     |     |             |      |           |      |  |  |



RECOMMENDED MOUNTING LAYOUT  
 SCALE 2:1



SECTION X-X



DETAIL Y  
 SCALE 4:1

|  |  |                                |   |                    |
|--|--|--------------------------------|---|--------------------|
| THIS DRAWING IS A CONTROLLED DOCUMENT. |  | DWN<br>C. DAILY<br>15MAR2018   | <b>STE</b> TE Connectivity  |                    |
|  |  | CHK<br>E. HOWARD<br>15MAR2018  |   |                    |
| DIMENSIONS:                            | TOLERANCES UNLESS OTHERWISE SPECIFIED:                     | APVD<br>-                      | NAME<br>RECEPTACLE ASSEMBLY,<br>LUMAWISE ENDURANCE N<br>TOOL-LESS ROTATABLE |                    |
| mm                                     | 0 PLC ±<br>1 PLC ±0.2<br>2 PLC ±0.13<br>3 PLC ±<br>4 PLC ± | PRODUCT SPEC<br>108-133114     | SIZE<br>A2  | CAGE CODE<br>00779 |
| MATERIAL                               | FINISH   | APPLICATION SPEC<br>114-133114 | DRAWING NO<br>C-2332966   | RESTRICTED TO<br>- |
| -                                      | -  | WEIGHT<br>-                    | SCALE 1:1 SHEET 3 OF 3 REV B  |                    |
|  |  | CUSTOMER DRAWING               |   |                    |