

4

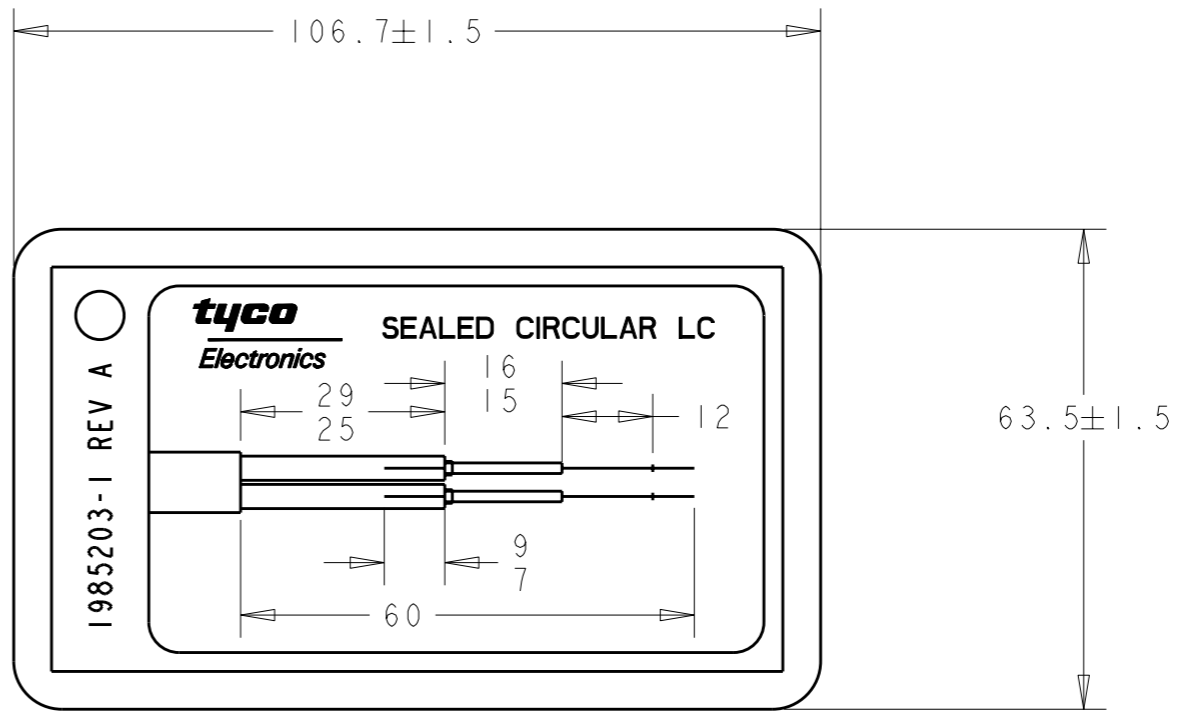
3

2

1


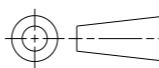
THIS DRAWING IS UNPUBLISHED. RELEASED FOR PUBLICATION 20  
 © COPYRIGHT 20 BY TYCO ELECTRONICS CORPORATION. ALL RIGHTS RESERVED.

LOC	DIST	REVISIONS			
P	LTR	DESCRIPTION	DATE	DWN	APVD
CE	00	A	NPR 07-0166	03MAY2007	BB DK



 LIGHT BLUE PAPER LAMINATED IN HEAVY GAUGE PLASTIC.

1985203-1  
PART NUMBER

<small>THIS DRAWING IS A CONTROLLED DOCUMENT FOR TYCO ELECTRONICS CORPORATION IT IS SUBJECT TO CHANGE AND THE CONTROLLING ENGINEERING ORGANIZATION SHOULD BE CONTACTED FOR THE LATEST REVISION.</small>		DWN B. BRIGGS 03MAY2007 CHK D. KIRSCH 03MAY2007 APVD S. BUCHTER 03MAY2007		 Tyco Electronics Harrisburg, PA 17105-3608	
DIMENSIONS: mm		TOLERANCES UNLESS OTHERWISE SPECIFIED: 0 PLC ±- 1 PLC ±0.8 2 PLC ±0.10 3 PLC ±- 4 PLC ±- ANGLES ±-		NAME STRIP TEMPLATE, LC, SEALED CIRCULAR DUPLEX	
		MATERIAL - FINISH -		PRODUCT SPEC - APPLICATION SPEC - WEIGHT -	
CUSTOMER DRAWING		SIZE A3 CAGE CODE 00779 DRAWING NO C-1985203		RESTRICTED TO -	
SCALE		SHEET OF		REV A	