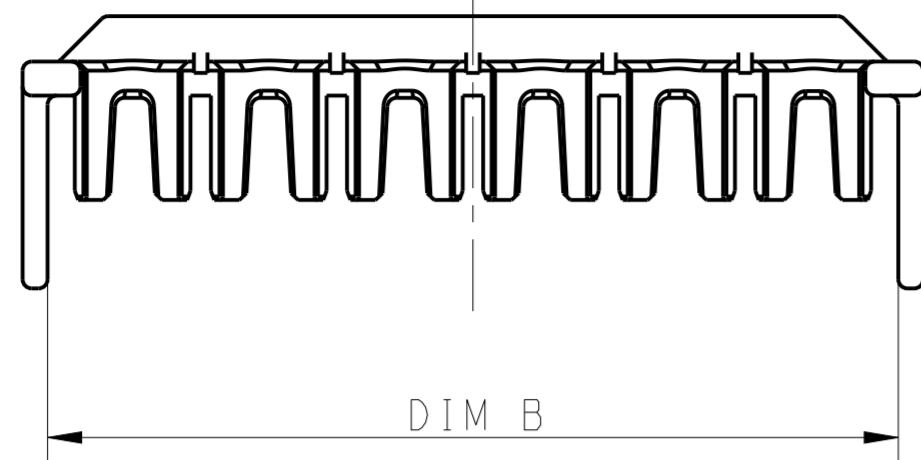
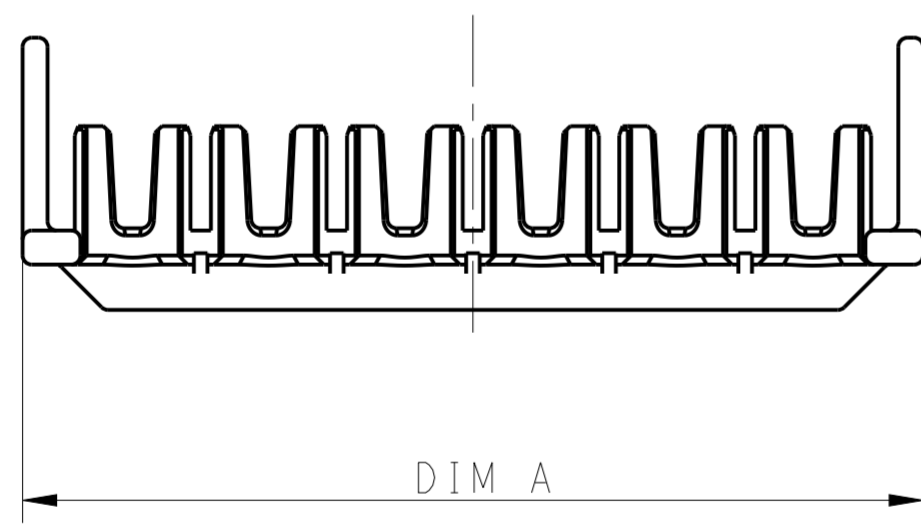
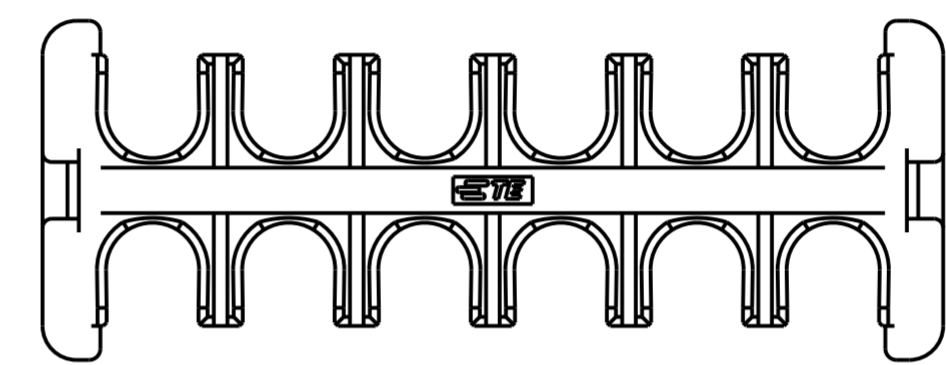
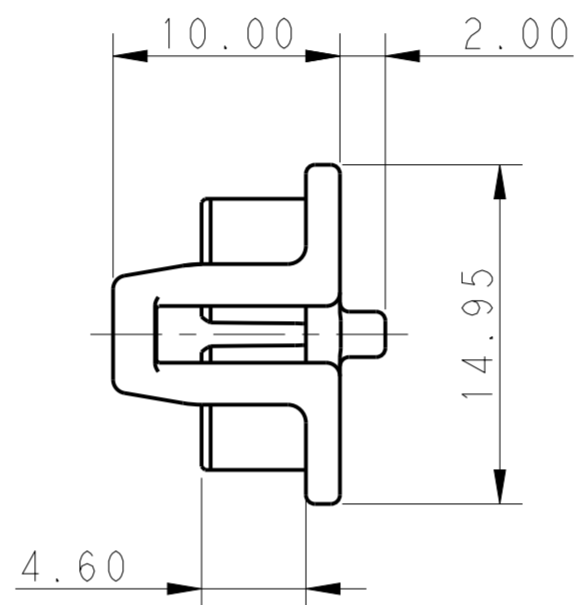
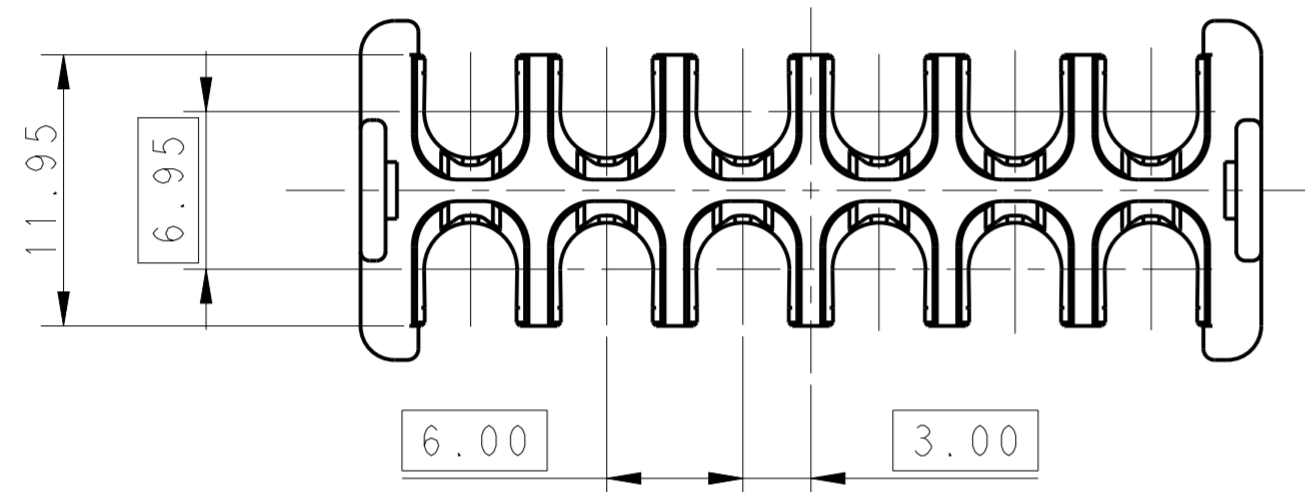


THIS DRAWING IS UNPUBLISHED. RELEASED FOR PUBLICATION 20
 © COPYRIGHT 20 BY - ALL RIGHTS RESERVED.

| LOC | | DIST | | REVISIONS | | | |
|-----|-----|-------------|---------------------------|-----------|------|----|--|
| P | LTR | DESCRIPTION | DATE | DWN | APVD | | |
| - | - | C | REVISED PER ECR-21-100678 | 08APR2021 | SS | VS | |



| POS. | DIM.A | DIM.B |
|------|-------|-------|
| 2*6 | 39.70 | 37.5 |
| 2*5 | 33.70 | 31.5 |
| 2*4 | 27.70 | 25.5 |
| 2*3 | 21.70 | 19.5 |



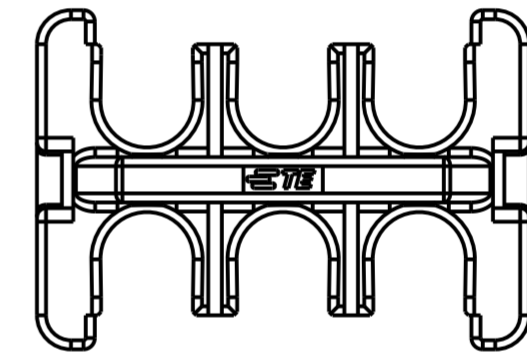
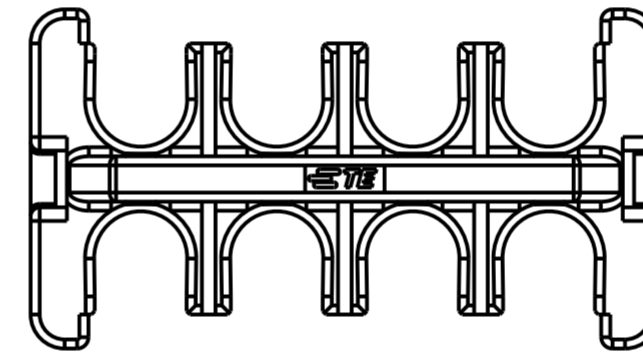
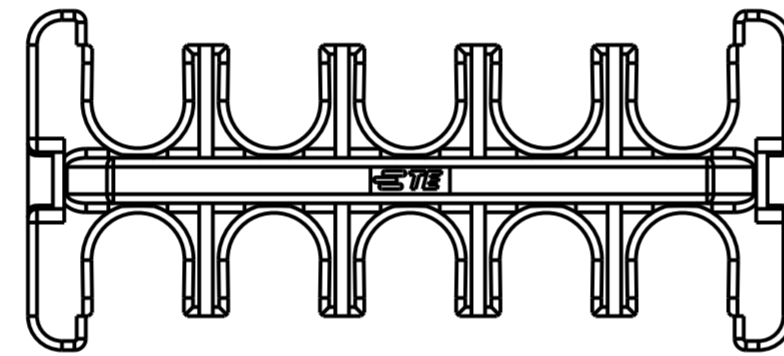
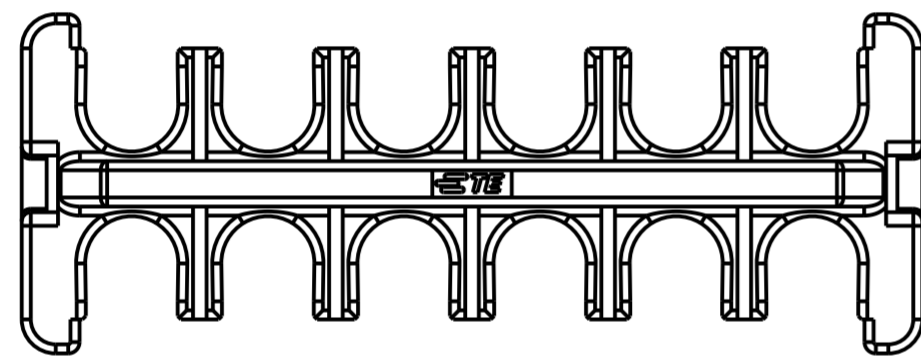
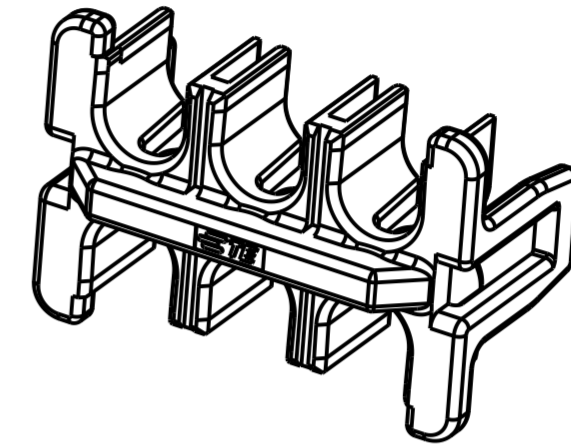
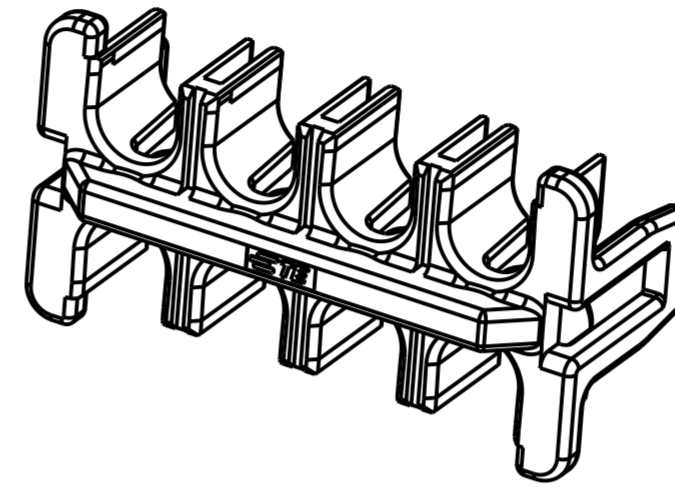
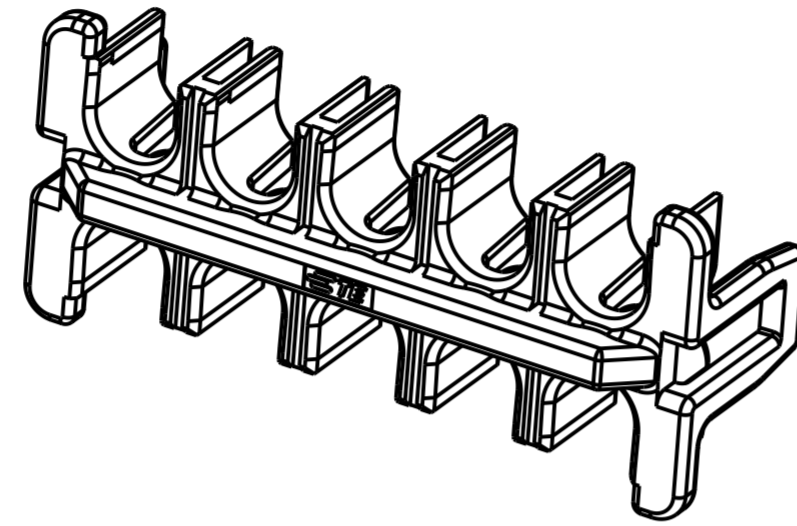
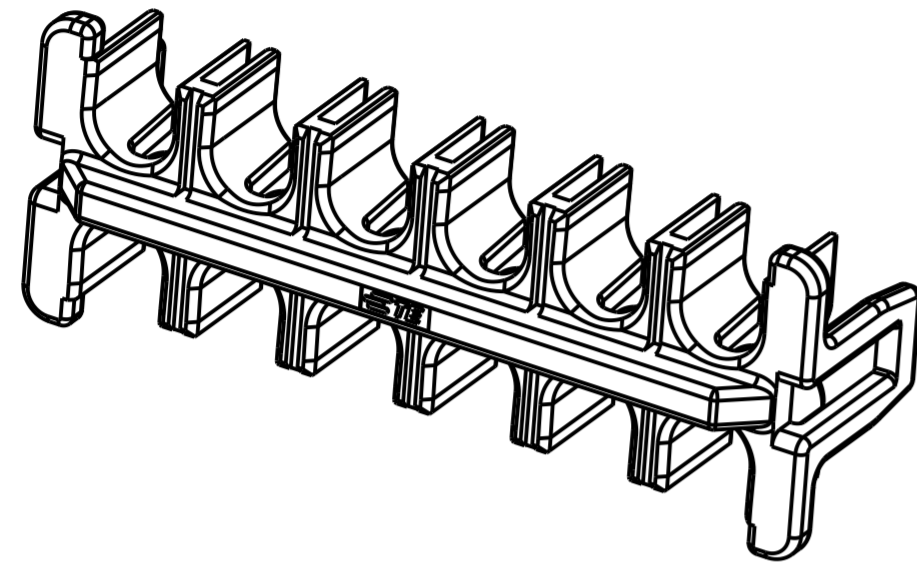
NOTE

- 1. HIGH TEMP VERSIONS ARE RATED 150°C MAX AND ARE RECOMMENDED FOR USE WITH HIGH TEMP AND GLOW WIRE RATED HOUSINGS.
- 2. HOT WIRE IGNITION (HWI) VERSIONS ARE MOLDED IN A RESIN THAT COMPLIES WITH TE PENDING HOT WIRE IGNITION TEST AND ARE RECOMMENDED FOR USE WITH HWI HOUSINGS THAT ALSO COMPLY.
- 3. STANDARD TEMPERATURE VERSIONS, RATED 140°C MAX ARE RECOMMENDED FOR USE WITH STANDARD TEMP AND GLOW WIRE RATED HOUSINGS.
- 4. MATING CONN, P/N
 CAP HSG: *-1971*7*-*/*-22322***-*/*-22323***-
 PLUG HSG: *-1971*7*-*/*-22322***-*/*-22323***-
- 5. FLAMMABILITY RATING: UL94 V-0

| | | | | |
|--|--|-----------------------------|---|--|
| THIS DRAWING IS A CONTROLLED DOCUMENT. | | DWN TOMMY WU 09JUL2012 | STE TE Connectivity | |
| | | CHK HAPYE WU 09JUL2012 | | |
| | | APVD YUHONG MAO 09JUL2012 | NAME TPA, DOUBLE ROW POWER TRIPLE LOCK | |
| DIMENSIONS: mm | | PRODUCT SPEC 108-106118 | SIZE CAGE CODE DRAWING NO RESTRICTED TO | |
| TOLERANCES UNLESS OTHERWISE SPECIFIED: | | APPLICATION SPEC 114-106118 | A2 00779 C-1971778 | |
| 0 PLC ± - | | WEIGHT - | SCALE - SHEET 1 OF 2 REV C | |
| 1 PLC ±0.35 | | Customer Drawing | | |
| 2 PLC ±0.25 | | | | |
| 3 PLC ± - | | | | |
| 4 PLC ± - | | | | |
| ANGLES ± - | | | | |
| FINISH | | | | |

THIS DRAWING IS UNPUBLISHED. RELEASED FOR PUBLICATION 20
 © COPYRIGHT 20 BY - ALL RIGHTS RESERVED.

| LOC | DIST | REVISIONS | | | |
|-----|------|-------------|------|-----|------|
| P | LTR | DESCRIPTION | DATE | DWN | APVD |
| - | - | SEE SHEET 1 | - | - | - |
| | | | | | |
| | | | | | |



2*6 POSITIONS

2*5 POSITIONS

2*4 POSITIONS

2*3 POSITIONS

| COLOR | MATERIAL | TYPE | POSITIONS | P/N |
|---------|------------|---------------------|-----------|----------------|
| RED | PBT GF | STANDARD TEMP △3 | 2*6 | △6 4-1971778-6 |
| | | | 2*5 | △6 4-1971778-5 |
| | | | 2*4 | △6 4-1971778-4 |
| | | | 2*3 | △6 4-1971778-3 |
| NATURAL | PBT GF | HWI △2 | 2*6 | 2-1971778-6 |
| | | | 2*5 | 2-1971778-5 |
| | | | 2*4 | 2-1971778-4 |
| BLACK | NYLON PA66 | HIGH TEMP △1 | 2*6 | 1971778-6 |
| | | | 2*5 | 1971778-5 |
| | | | 2*4 | 1971778-4 |
| 2*3 | 1971778-3 | | | |

THIS DRAWING IS A CONTROLLED DOCUMENT.

| | | | | |
|-------------------|---|---|---|--------------------|
| DIMENSIONS: mm | TOLERANCES UNLESS OTHERWISE SPECIFIED: 0 PLC ± - 1 PLC ± 0.35 2 PLC ± 0.25 3 PLC ± - 4 PLC ± - ANGLES ± - FINISH | DWN TOMMY WU 09JUL2012 CHK HAPYE WU 09JUL2012 APVD YUHONG MAO 09JUL2012 | TE Connectivity | |
| MATERIAL | | PRODUCT SPEC 108-106118 APPLICATION SPEC 114-106118 WEIGHT - | NAME TPA, DOUBLE ROW POWER TRIPLE LOCK SIZE A2 CAGE CODE 00779C DRAWING NO 1971778 RESTRICTED TO - | |
| Customer Drawing | | | SCALE - | SHEET 2 OF 2 REV C |