

THIS DRAWING IS UNPUBLISHED.

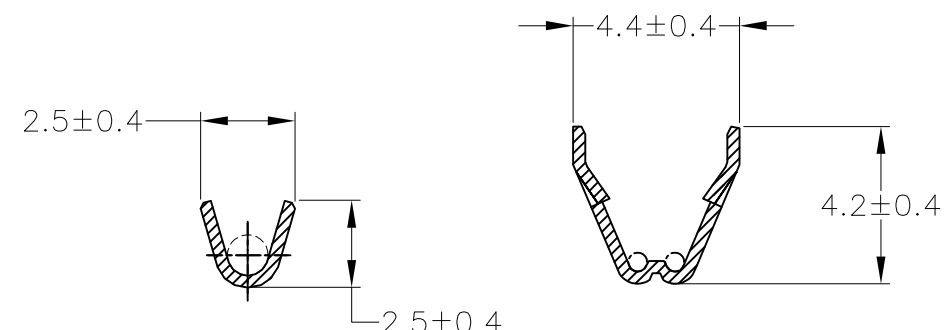
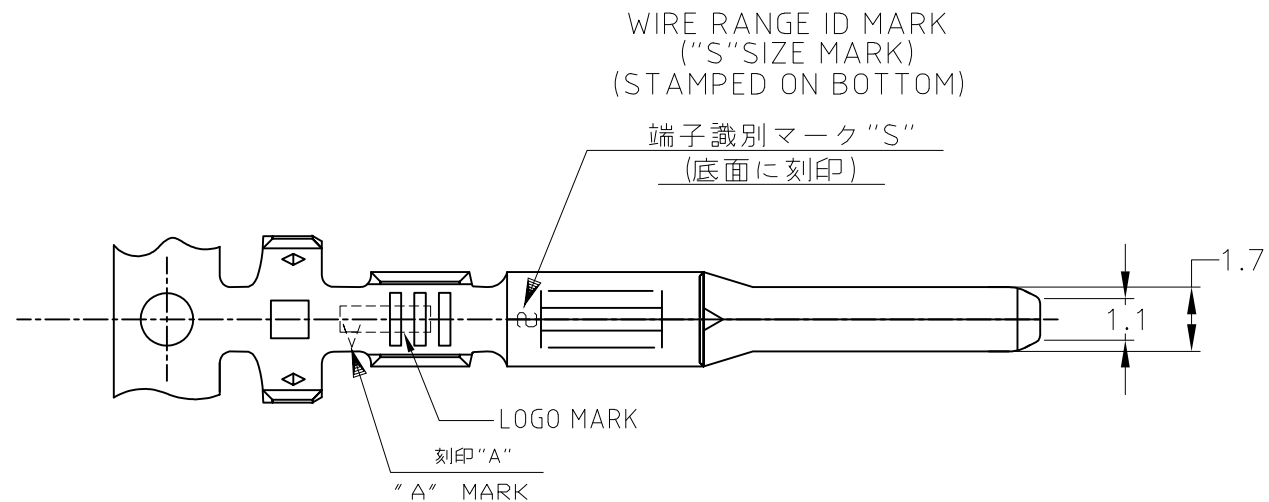
RELEASED FOR PUBLICATION JAN , 2018.

© COPYRIGHT 2018 TE Connectivity

ALL RIGHTS RESERVED.

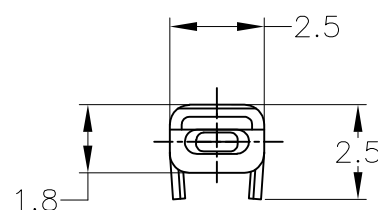
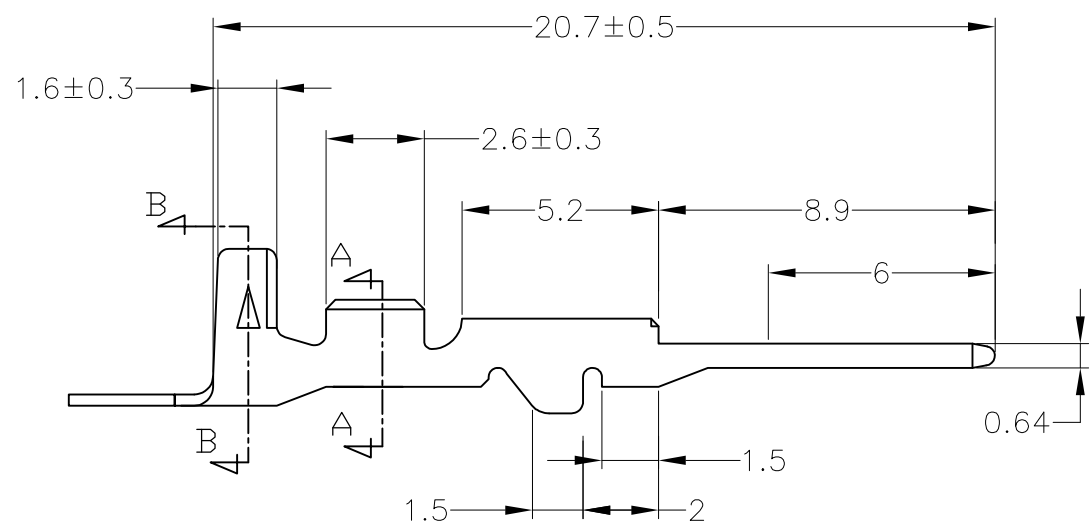
REVISIONS

P	LTR	DESCRIPTION	DATE	DWN	APVD
	B	REVISED	25JAN2018	YN	TK



SECT A-A

SECT B-B



1. 製品規格: 108-5264

1. SPEC:108-5264

錫めっき済 PRE-TINNED	黄銅 板厚0.32 BRASS t0.32	175188-1
仕上 FINISH	材料 MATERIAL	型番 PART NUMBER

THIS DRAWING IS A CONTROLLED DOCUMENT.

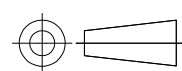
DWN	N.OJIMA	08JAN1990
CHK	M.OSHIMA	08JAN1990
APVD	M.NOGUCHI	08JAN1990

STE TE Connectivity Ltd.

WIRE RANGE AVS 0.2~0.3mm ² (AWG #24-#22)	INSULATION DIA 1.4~1.9mmφ
---	------------------------------

DIMENSIONS:
mm

TOLERANCES UNLESS OTHERWISE SPECIFIED:



0 PLC	± -
1 PLC	± -
2 PLC	± -
3 PLC	± -
4 PLC	± -
ANGLES	± -

MATERIAL
SEE TABLE

FINISH
SEE TABLE

PRODUCT SPEC	NAME
APPLICATION SPEC	SIZE
WEIGHT	CAGE CODE

070 SERIES TAB CONTACT		RESTRICTED TO
DRAWING NO	SCALE	REV
A300779	C=175188	B

CUSTOMER DRAWING

SCALE 5:1

SHEET 1 OF 1

REV B