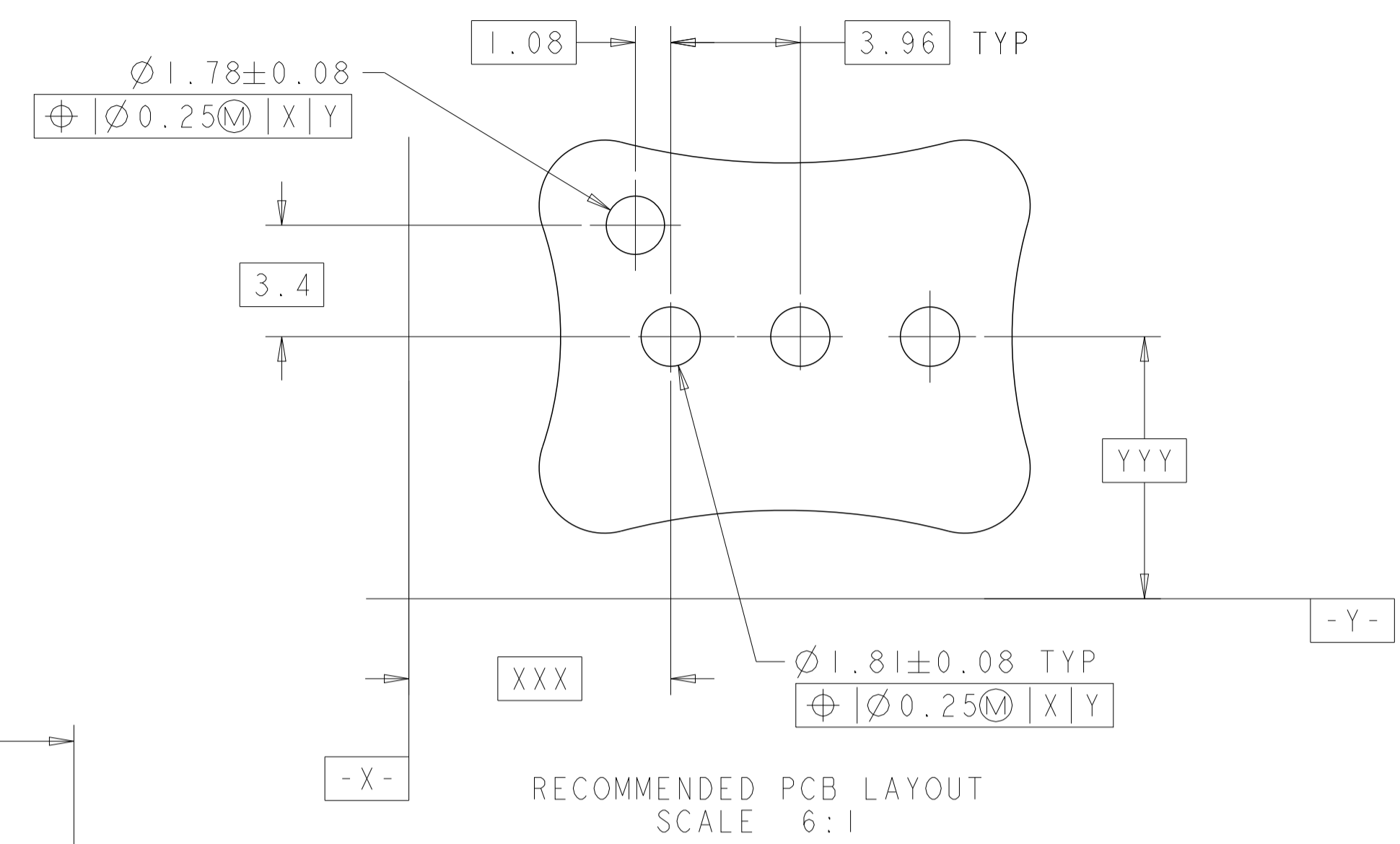
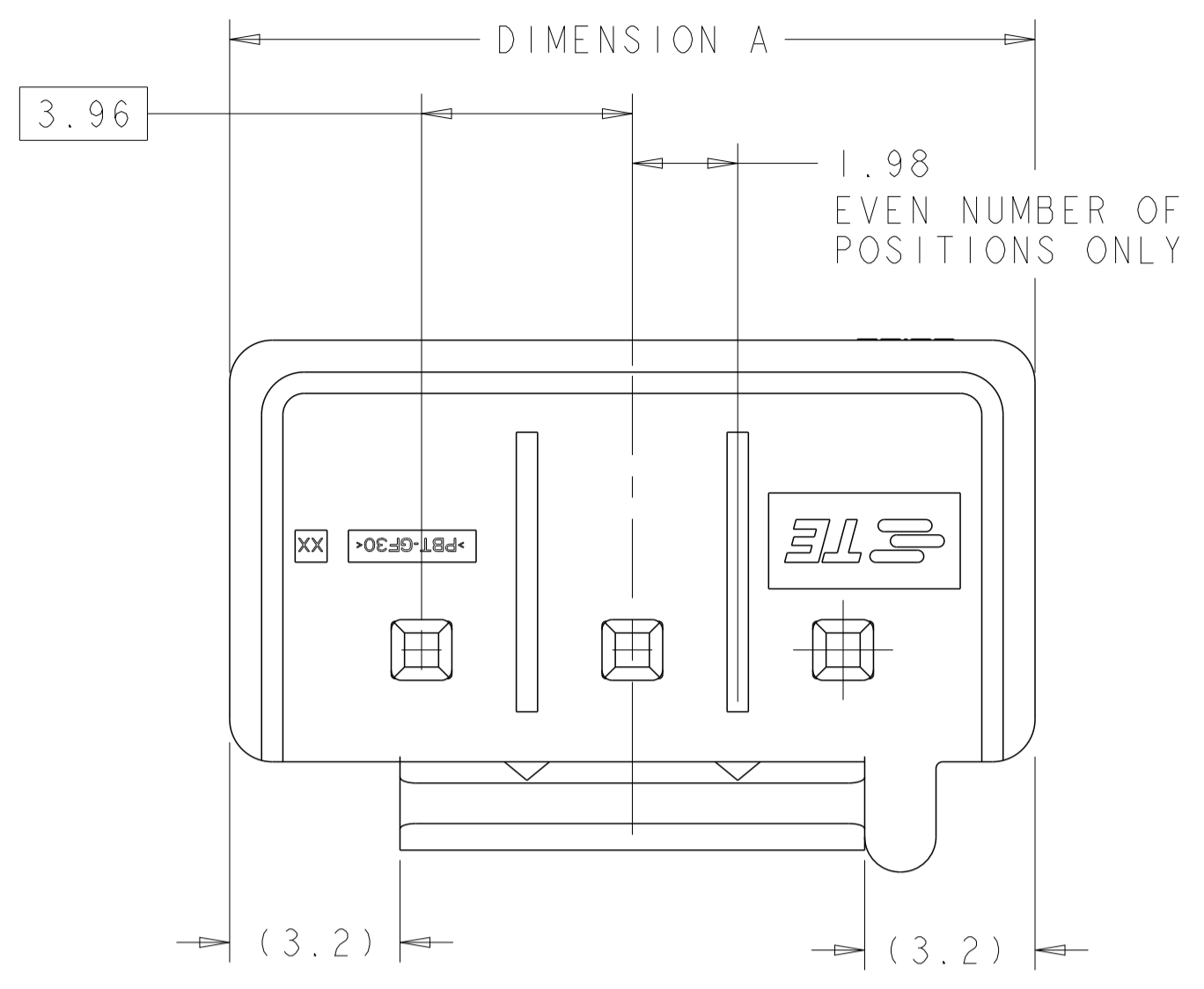
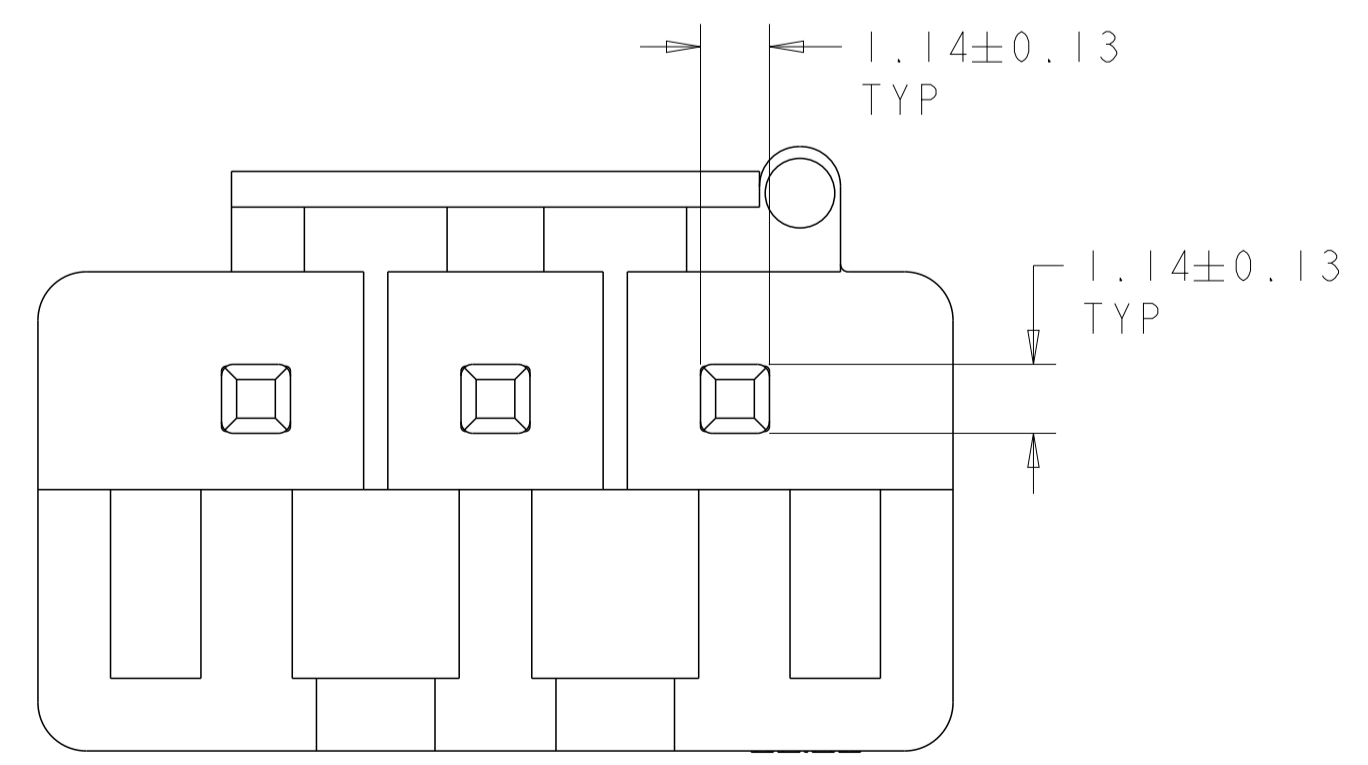
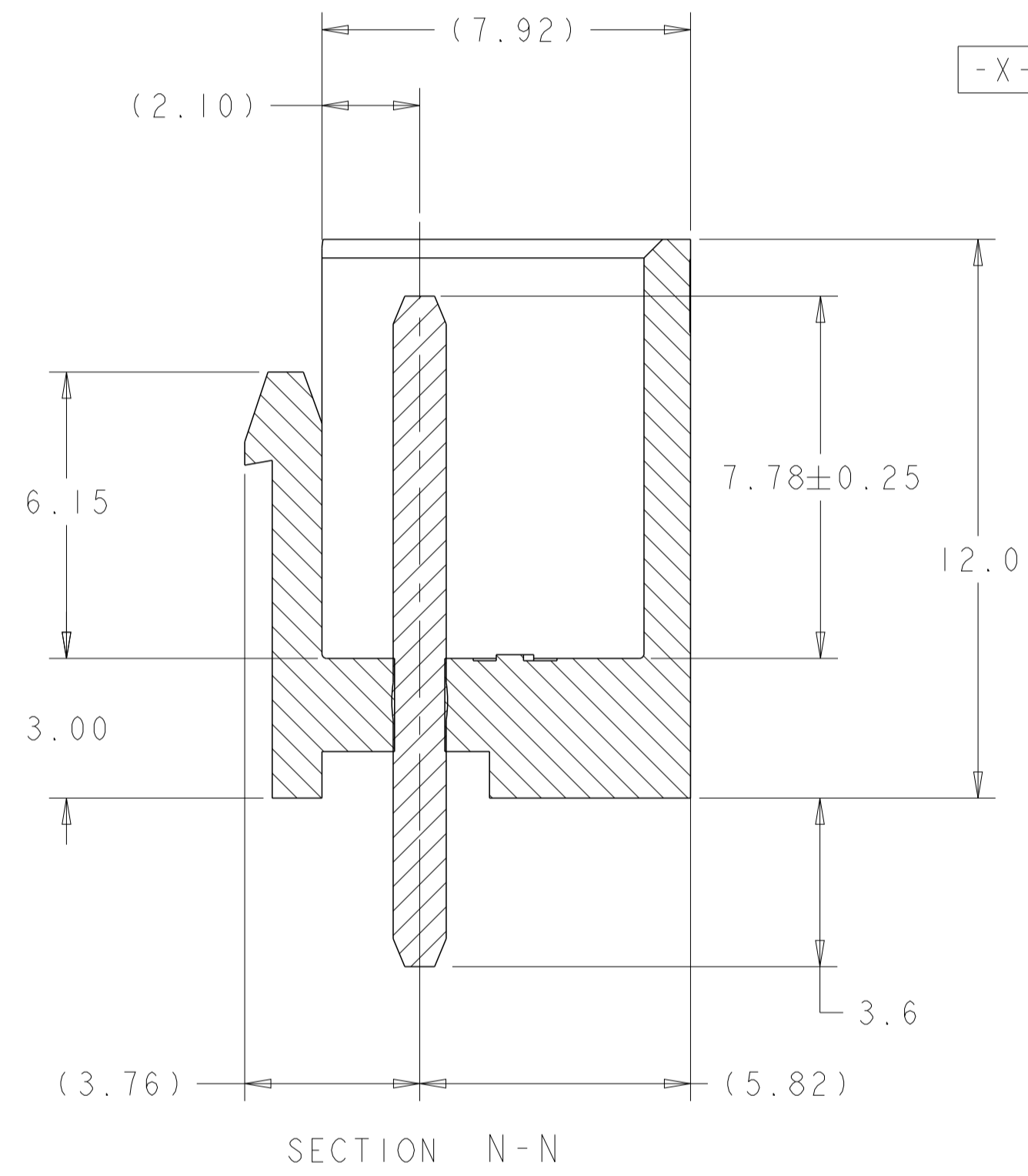
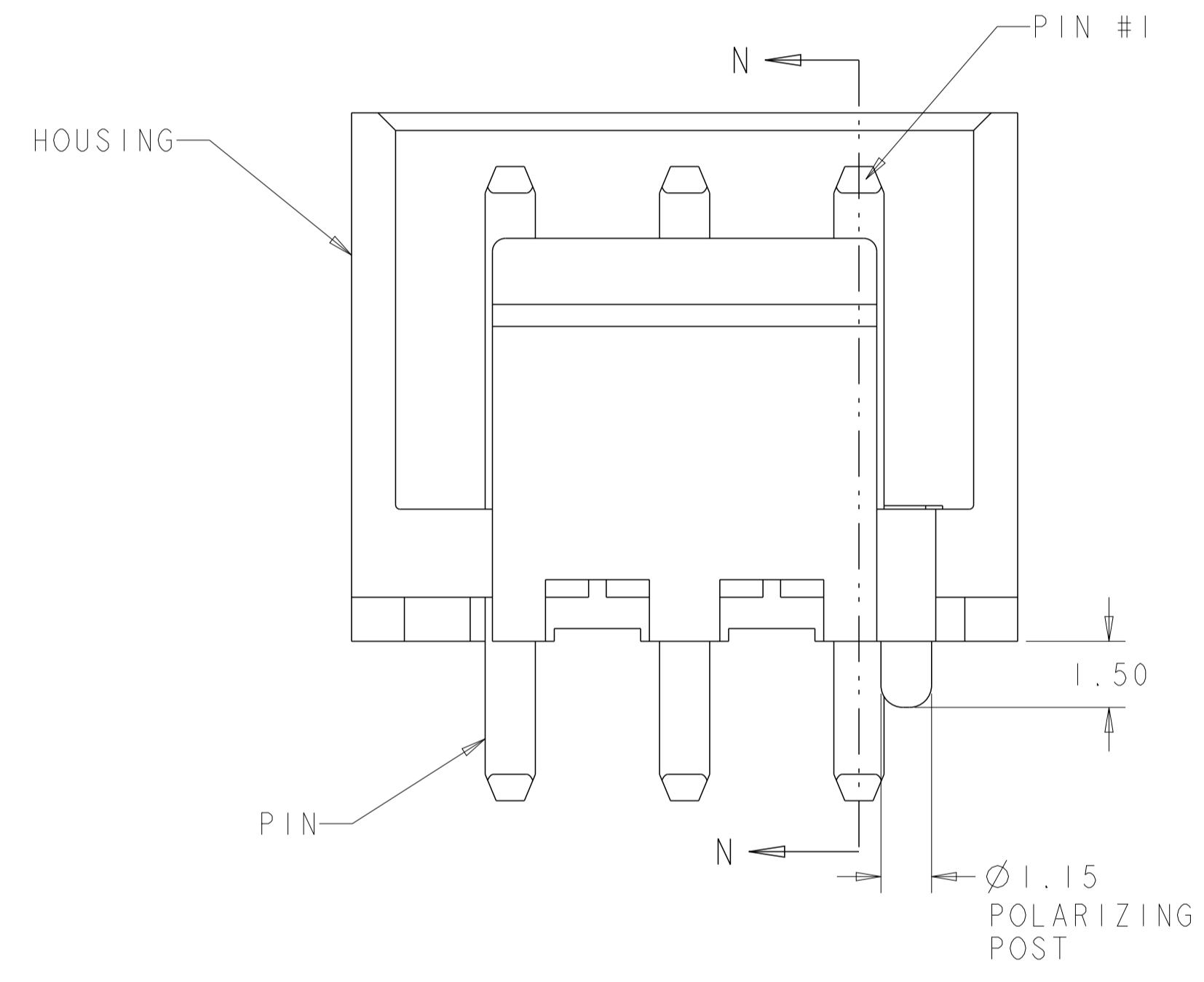


LOC	DIST	REVISIONS					
GP	00	P	LTN	DESCRIPTION	DATE	DWN	APVD
		A		REVISED PER ECR-14-002687	07MAR2014	NK	TM



⚠ MATERIAL: HOUSING; PBT GLASS FILLED UL94V-0
PIN; BRASS, ORANGE

⚠ FINISH: PIN, 1.0μm MIN TIN OVER 0.8μm MIN NICKEL.



50.77	12	1-1744483-2
46.81	11	1-1744483-1
42.85	10	1-1744483-0
38.89	9	1744483-9
34.93	8	1744483-8
30.97	7	1744483-7
27.01	6	1744483-6
23.05	5	1744483-5
19.09	4	1744483-4
15.13	3	1744483-3
11.17	2	1744483-2
DIM A	POS	ASSEMBLY PART NO.

THIS DRAWING IS A CONTROLLED DOCUMENT.

DWN: KIRAN HOLH 28AUG2012
 CHK: MACE SAM 28AUG2012

DIMENSIONS: mm

TOLERANCES UNLESS OTHERWISE SPECIFIED:	
0 PLC	±
1 PLC	±0.50
2 PLC	±0.30
3 PLC	±
4 PLC	±
ANGLES	±
FINISH	±

MATERIAL: ⚠
 FINISH: ⚠

APVD: MACE SAM 28AUG2012
 PRODUCT SPEC: 108-5609
 APPLICATION SPEC: -

WEIGHT: -

Customer Drawing

SCALE 8:1

SHEET 1 OF 1

REV A

STC TE Connectivity

NAME: SHROUDED HEADER ASSEMBLY, SINGLE LATCH, 3.96mm PITCH, ECONOMY POWER (EP), ORANGE

SIZE: A100779

Customer Drawing