

1 Products affected

Product hierarchy no. *				Part no.	SBU	Type / Description	Customer part no.
SBU	PG	PGU	Type				
03	009	010	0000003008	1301.9316	Switches	LSH	
03	009	010	0000003008	1301.9318	Switches	LSH	
03	009	010	0000003008	1301.9320	Switches	LSH	
03	009	010	0000003008	1301.9316.24	Switches	LSH	
03	009	010	0000003008	1301.9318.24	Switches	LSH	
03	009	010	0000003008	1301.9320.24	Switches	LSH	

*SBU (2-digit) / PG (3-digit) / PGU (3-digit) / Type (10-digit)

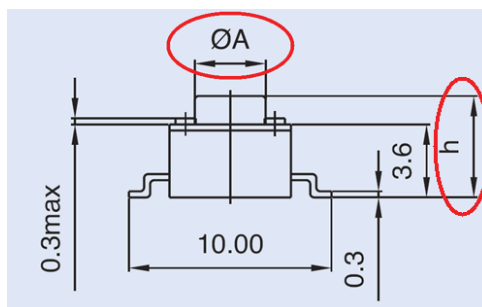
2 Type of change

Actuator dimensions have changed, see table below

3 Detailed description of change

Part no.	Dimension A old [mm]	Dimension A new [mm]
1301.9316.XX	Ø 3.2	Ø 3.3
1301.9318.XX	Ø 3.1	Ø 3.3
1301.9320.XX	Ø 3.0	Ø 3.4

Part no.	Dimension h old [mm]	Dimension h new [mm]
1301.9320.XX	12.5	12.5 (no changes)



Tolerance +/- 0.1

4 Reason for change

Redesign and improvement of tooling

5 Released date

Release for series production

ww 04/2013

6 Impact of change and recommended action

Form: Yes, see chapter 3
Fit: Yes, see chapter 3
Function: No influence
Production Site: No influence

LSH					0118.2101	
creation date	created by	release date	released by	notification no.	revision	page
2012-11-20	bisanger	2013-01-22	bisanger	24317	a	1 of 1