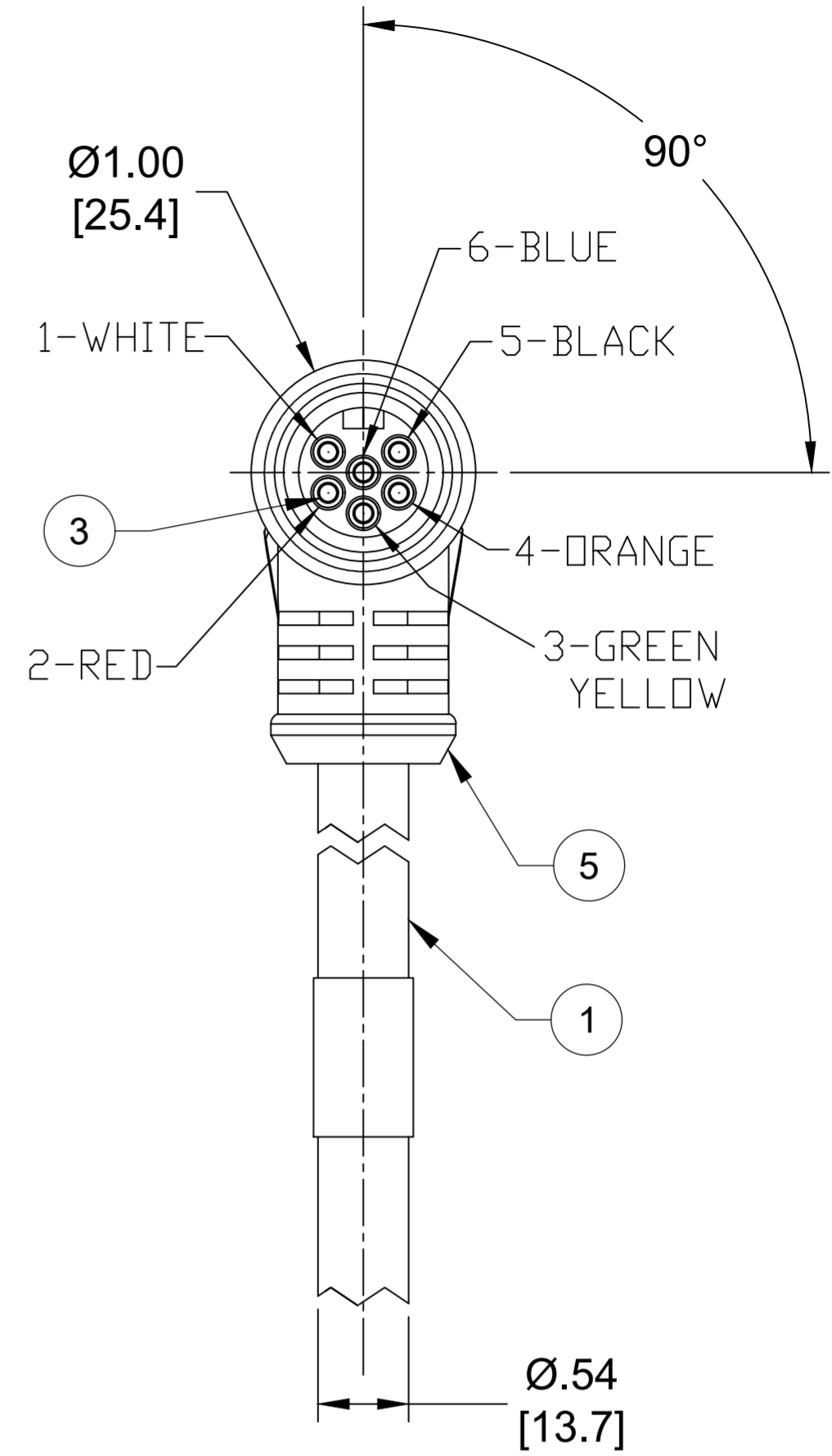
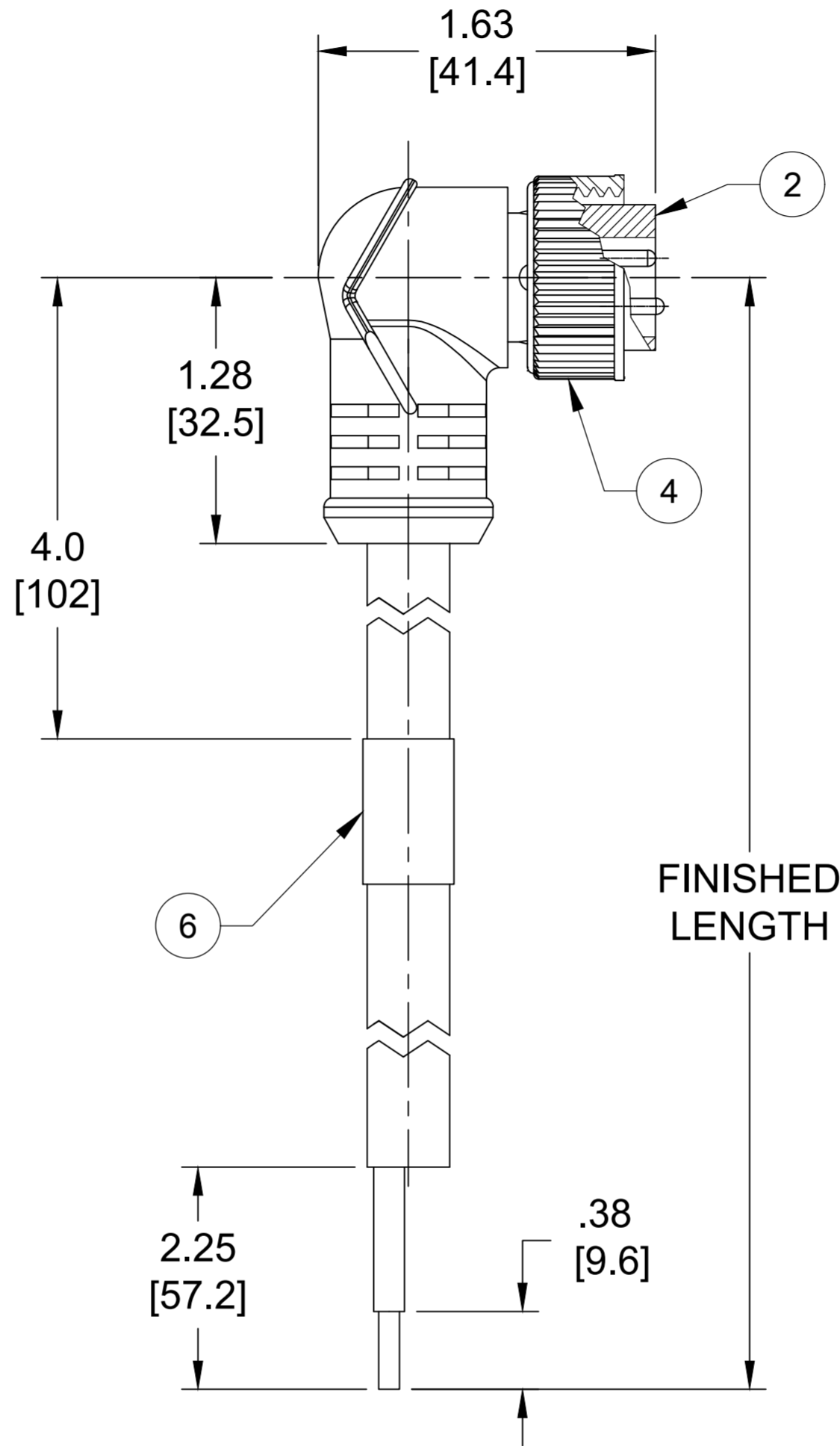
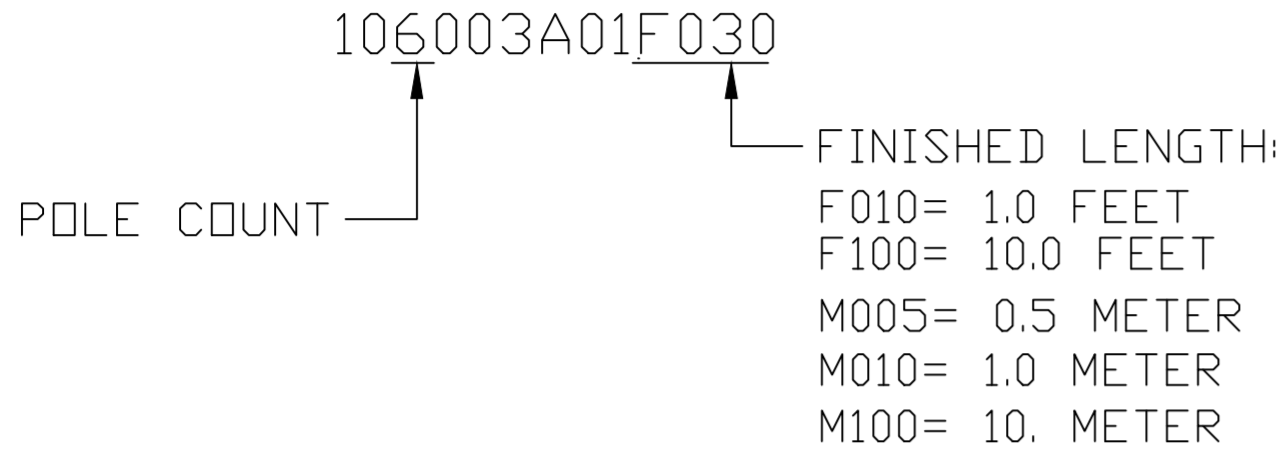


PART NO.	ENGINEERING NO.	FINISHED LENGTH
1300061700	106003A01F030	3.0FT [9.1M]
1300061703	106003A01F060	6.0FT [1.8M]
1300061713	106003A01F200	20FT [6.1M]

REF. THIS DRAWING SUPERSEDES SD-130006-035 REV-1 (A)

PART NUMBER LEGEND



- NOTES:**
1. MATERIAL: AS NOTED
 2. FINISH: AS NOTED
 3. ELECTRICAL:
VOLTAGE: 400V PER IEC60664
600V PER UL2238
CURRENT: 8A
 4. TEMP RATING: -20°TO +80°C
 5. PROTECTION: IP67 (WHEN MATED)
 6. COUPLING THREAD: 7/8-16UN
 7. UL RECOGNIZED FILE: E152210
CSA CERTIFIED FILE: LR6837
 8. ALL DIMS ARE FOR REFERENCE UNLESS TOLERANCED OR NOTED OTHERWISE

CABLE LENGTH TOLERANCES

>.3M [1FT]	: +19mm-0 [+ .75in-0]
.3 - .9M [1 - 3FT]	: +44.5mm-0 [+1.75in-0]
.9 - 1.8M [3 - 6FT]	: +55.6mm-0 [+2.19in-0]
1.8 - 3.7M [6 - 12FT]	: +88.9mm-0 [+3.50in-0]
3.7 - 7.3M [12 - 24FT]	: +165.1mm-0 [+6.50in-0]
7.3-14.6M [24 - 48FT]	: +317.5mm-0 [+12.50in-0]
14.6 - 30.5M [48-100FT]	: +622.3mm-0 [+24.50in-0]
OVER 30M [100FT]	: +2% OF FINISHED LENGTH

ITEM	DESCRIPTION	MATERIAL	FINISH
6	WRAP LABEL	VINYL	BLACK/YELLOW
5	OVERMOLD	TPE	YELLOW
4	COUPLING NUT, INT. THD	ZINC DIE-CAST	NICKEL PLATED
3	CONTACT PIN	COPPER ALLOY	GOLD PLATED
2	MALE INSERT	TPE	YELLOW
1	CABLE, 16/6, ST00W	PVC JACKET	YELLOW

<p>SYMBOLS</p> <p>THIS DRAWING CONTAINS INFORMATION THAT IS PROPRIETARY TO MOLEX ELECTRONIC TECHNOLOGIES, LLC AND SHOULD NOT BE USED WITHOUT WRITTEN PERMISSION</p>				<p>CURRENT REV DESC: REDRAWN, WAS SD-130006-035</p>																			
<p>DIMENSION UNITS</p> <p>INCH/MM</p>		<p>SCALE</p> <p>1:1</p>		<p>EC NO: 624117</p>																			
<p>GENERAL TOLERANCES (UNLESS SPECIFIED)</p>		<p>DRWN: RSTONE 2019/09/10</p>		<p>2019/09/19</p>																			
<table border="1"> <tr> <th></th> <th>mm</th> <th>INCH</th> </tr> <tr> <td>4 PLACES</td> <td>±----</td> <td>±----</td> </tr> <tr> <td>3 PLACES</td> <td>±----</td> <td>±----</td> </tr> <tr> <td>2 PLACES</td> <td>±----</td> <td>±----</td> </tr> <tr> <td>1 PLACE</td> <td>±----</td> <td>±----</td> </tr> <tr> <td>0 PLACES</td> <td>±----</td> <td>±----</td> </tr> </table>			mm	INCH	4 PLACES	±----	±----	3 PLACES	±----	±----	2 PLACES	±----	±----	1 PLACE	±----	±----	0 PLACES	±----	±----	<p>CHK'D: MZIELINSKI</p>		<p>2019/10/03</p>	
	mm	INCH																					
4 PLACES	±----	±----																					
3 PLACES	±----	±----																					
2 PLACES	±----	±----																					
1 PLACE	±----	±----																					
0 PLACES	±----	±----																					
<p>ANGULAR TOL ± ---- °</p>		<p>INITIAL REVISION:</p>		<p>DRWN: RSTONE 2019/09/10</p>																			
<p>DRAFT WHERE APPLICABLE MUST REMAIN WITHIN DIMENSIONS</p>		<p>APPR: BWOODMAN 2019/10/03</p>		<p>2019/10/03</p>																			
<p>THIRD ANGLE PROJECTION</p>		<p>DRAWING</p>		<p>SERIES</p>																			
<p>C-SIZE</p>		<p>130006</p>		<p>DOCUMENT NUMBER</p>																			
<p>130006</p>		<p>CUSTOMER</p>		<p>DOC TYPE DOC PART REVISION</p>																			
<p>1 OF 1</p>		<p>PSD 000 A</p>		<p>1300061700</p>																			