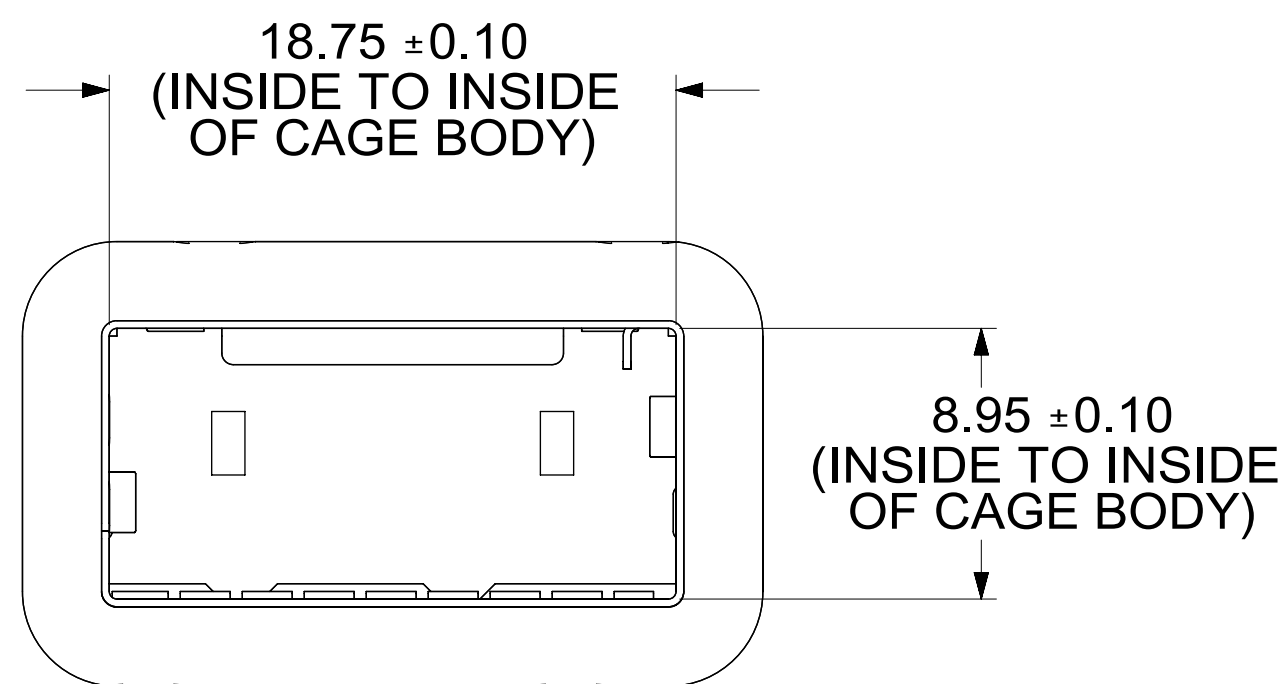
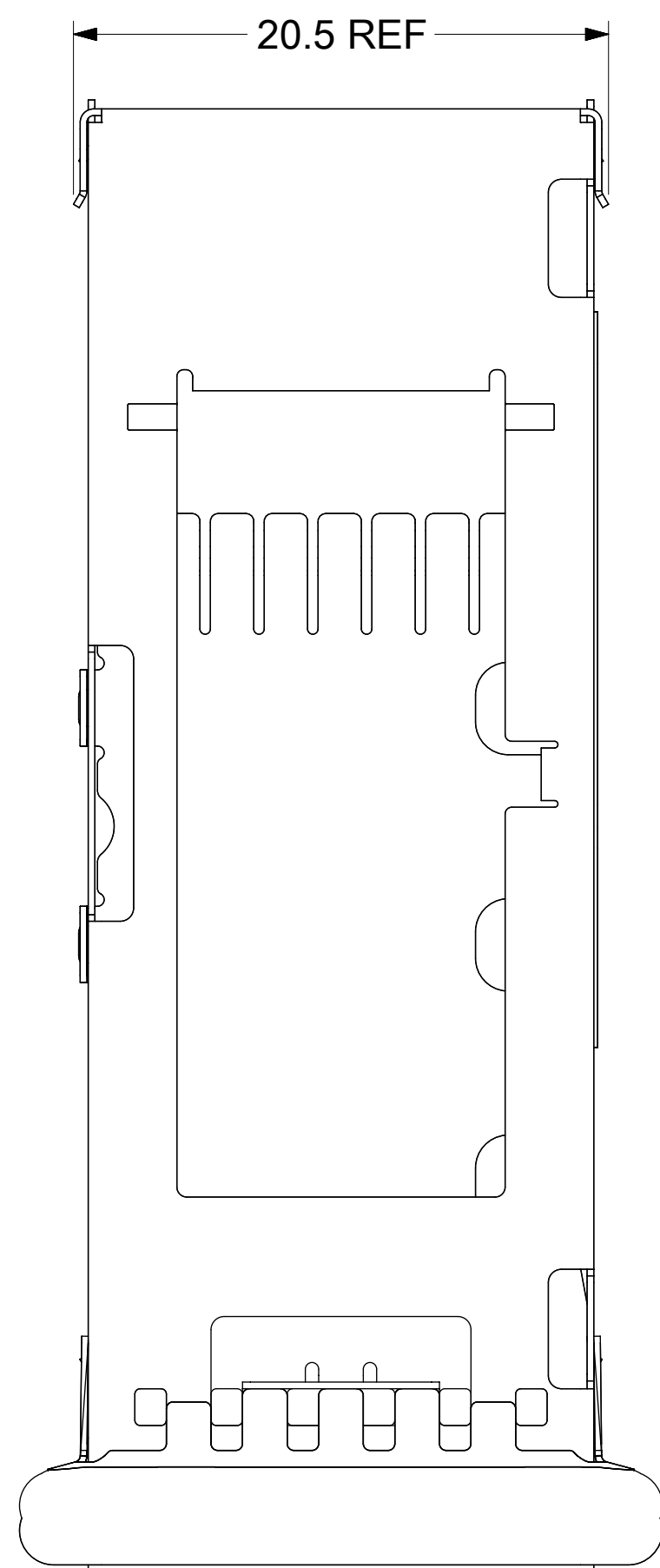
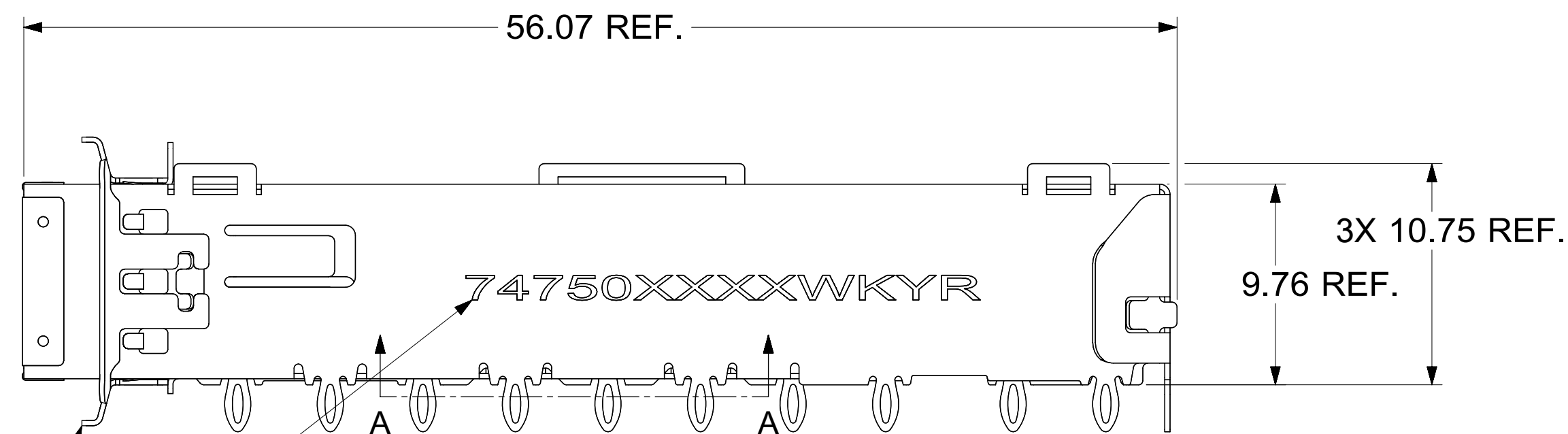
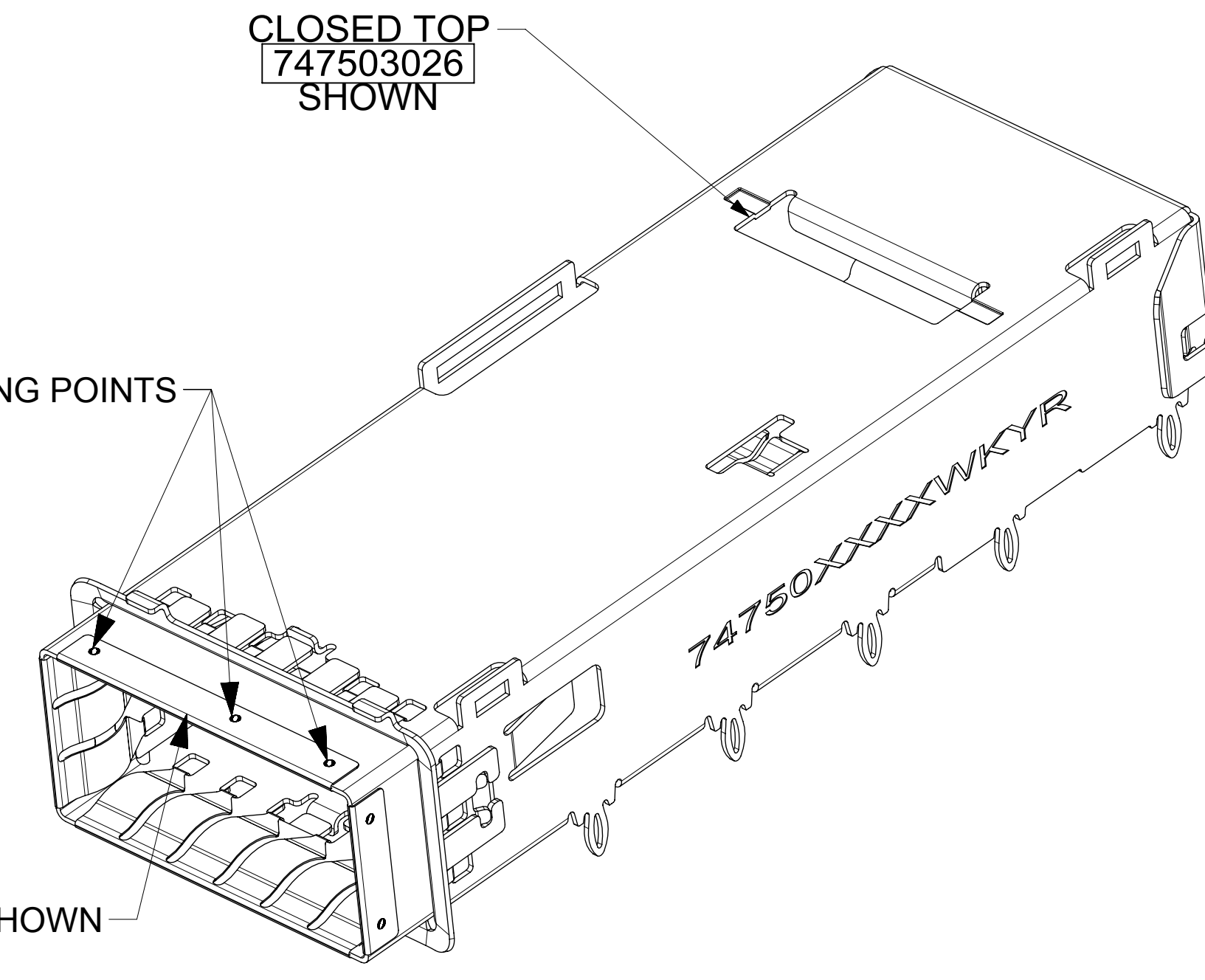
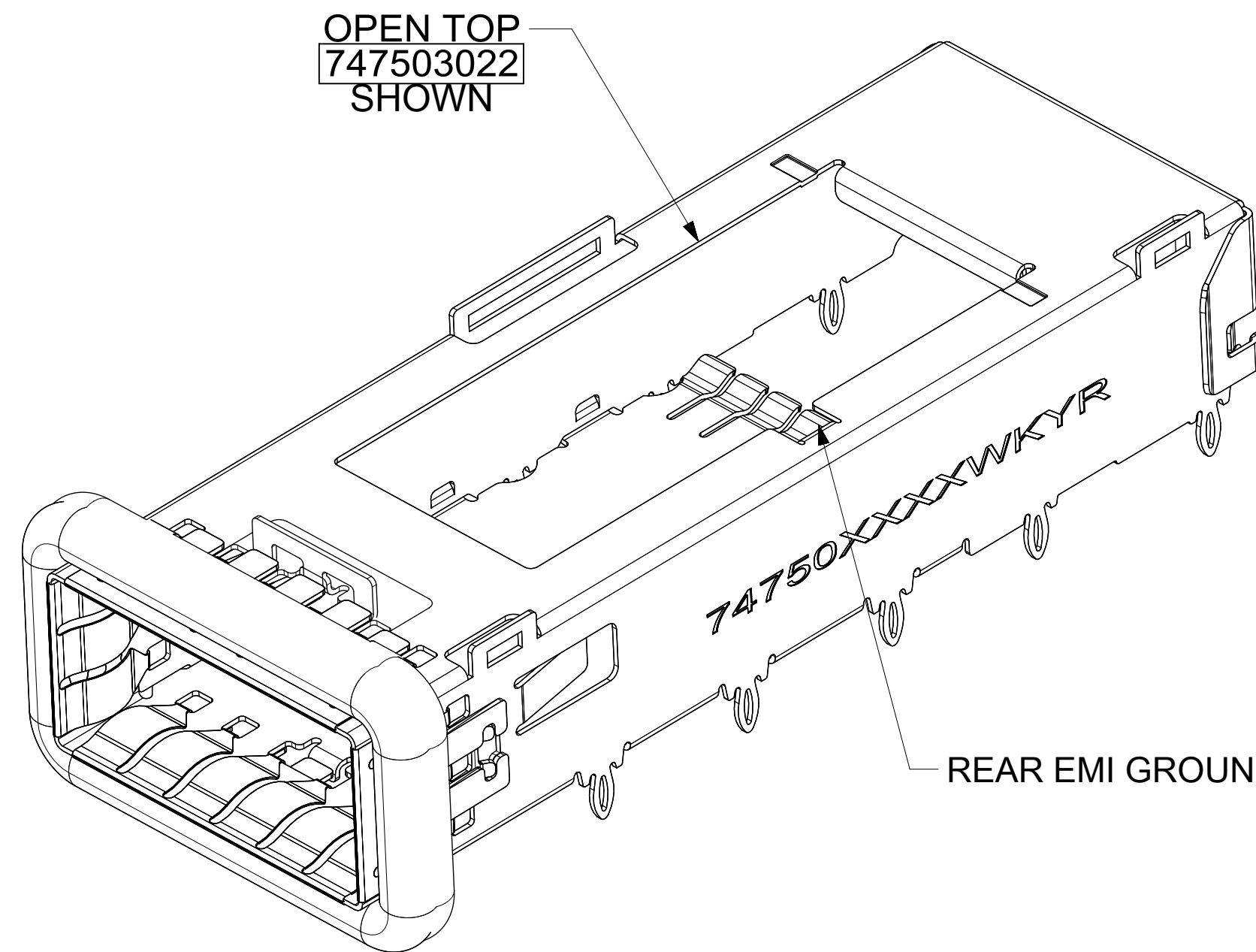


CAGE DETAILS

(APPLIES TO ALL CAGES IN THIS DRAWING)

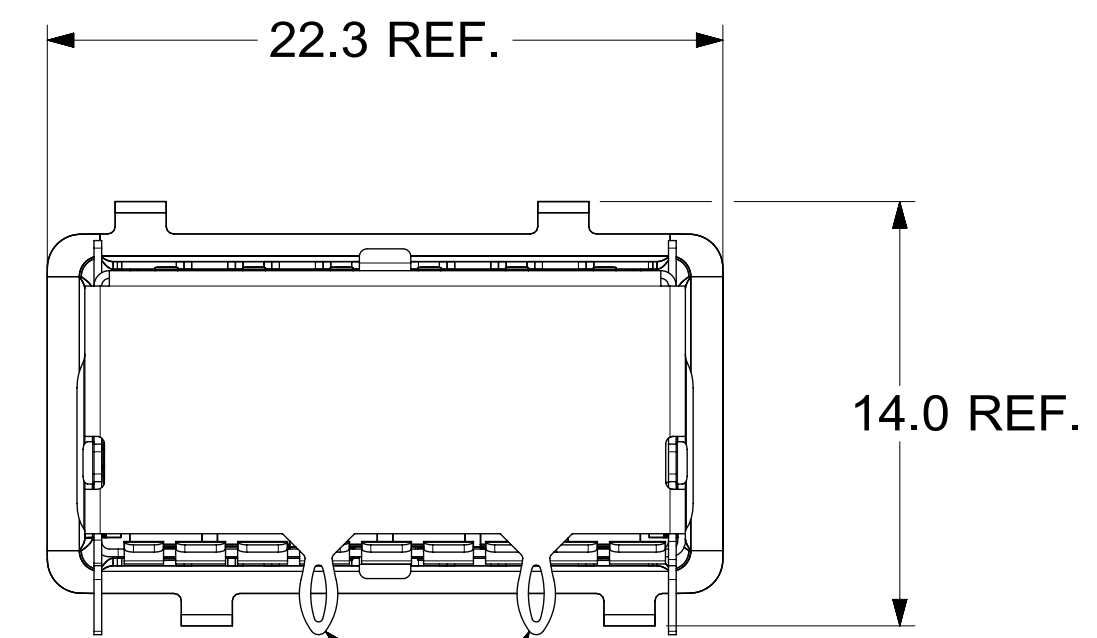


NOTE:
INTERNAL SPRING FINGERS
REMOVED FROM THIS VIEW FOR CLARITY.



GASKET NOT SHOWN
FOR CLARITY

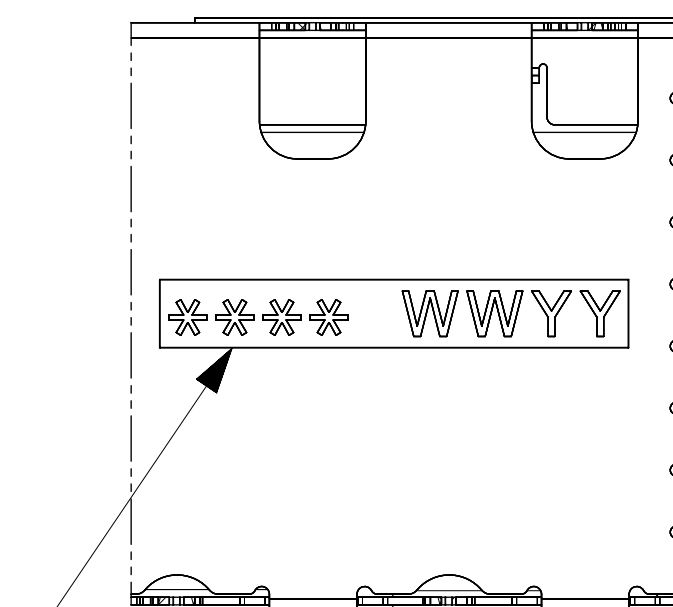
PN/DATE CODE TO BE PRINTED ON THE SIDE OF
COMPLETED CAGE ASSEMBLY APPROXIMATELY AS SHOWN.
SEE TABLE BELOW FOR DATE CODE INFORMATION.



REAR PINS ARE OPTIONAL
(SEE CHART)

NOTE:
GASKET REMOVED FROM THIS
VIEW FOR CLARITY.

| WEEK/YEAR DATE CODE TABLE | |
|---------------------------|---|
| WK | WEEK OF THE YEAR 01 THRU 52 (EXAMPLE: 01= FIRST WEEK OF YEAR 52= LAST WEEK OF YEAR) |
| YR | 22, 23, 24 ETC.. (EXAMPLE: YEAR 2022= 22) |

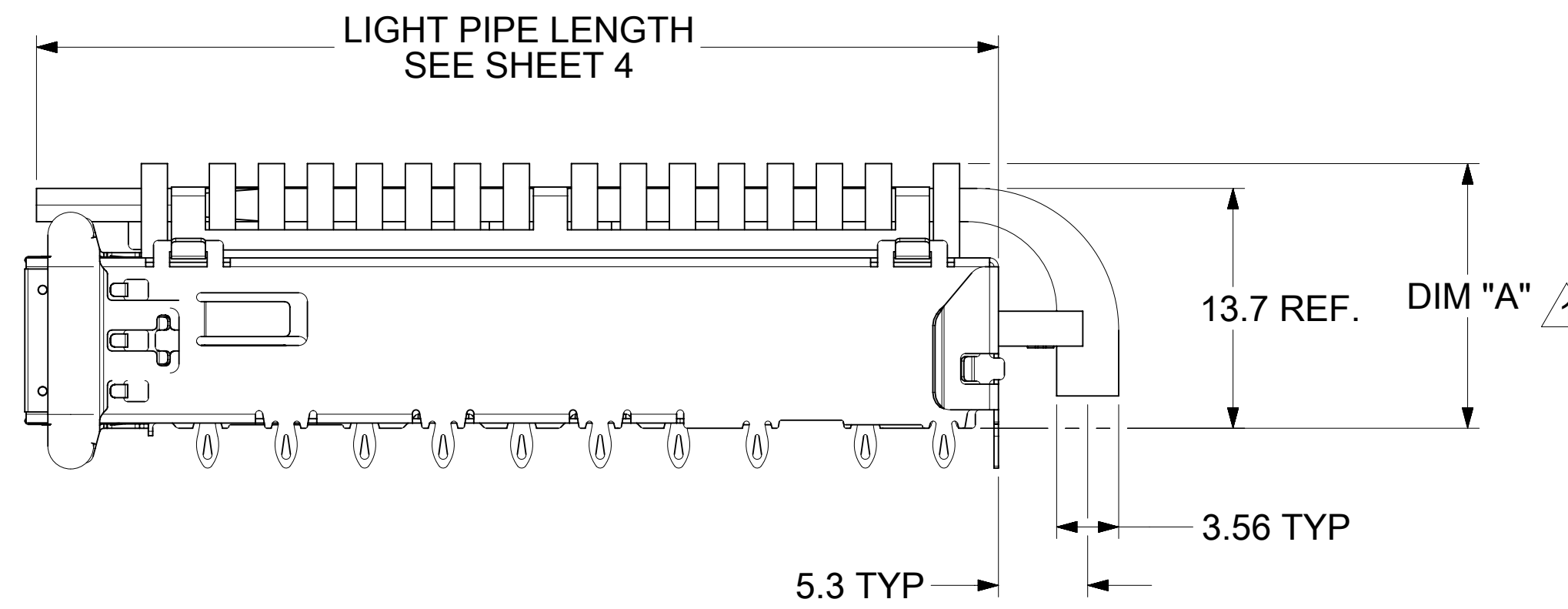
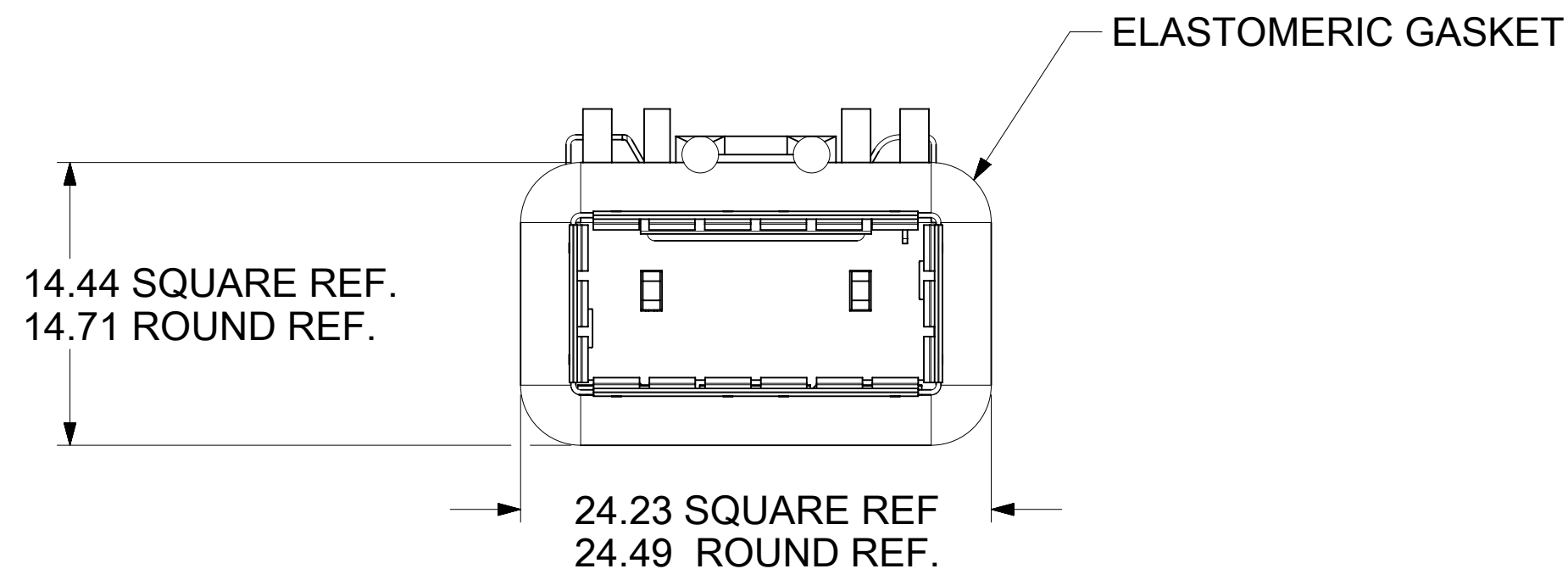
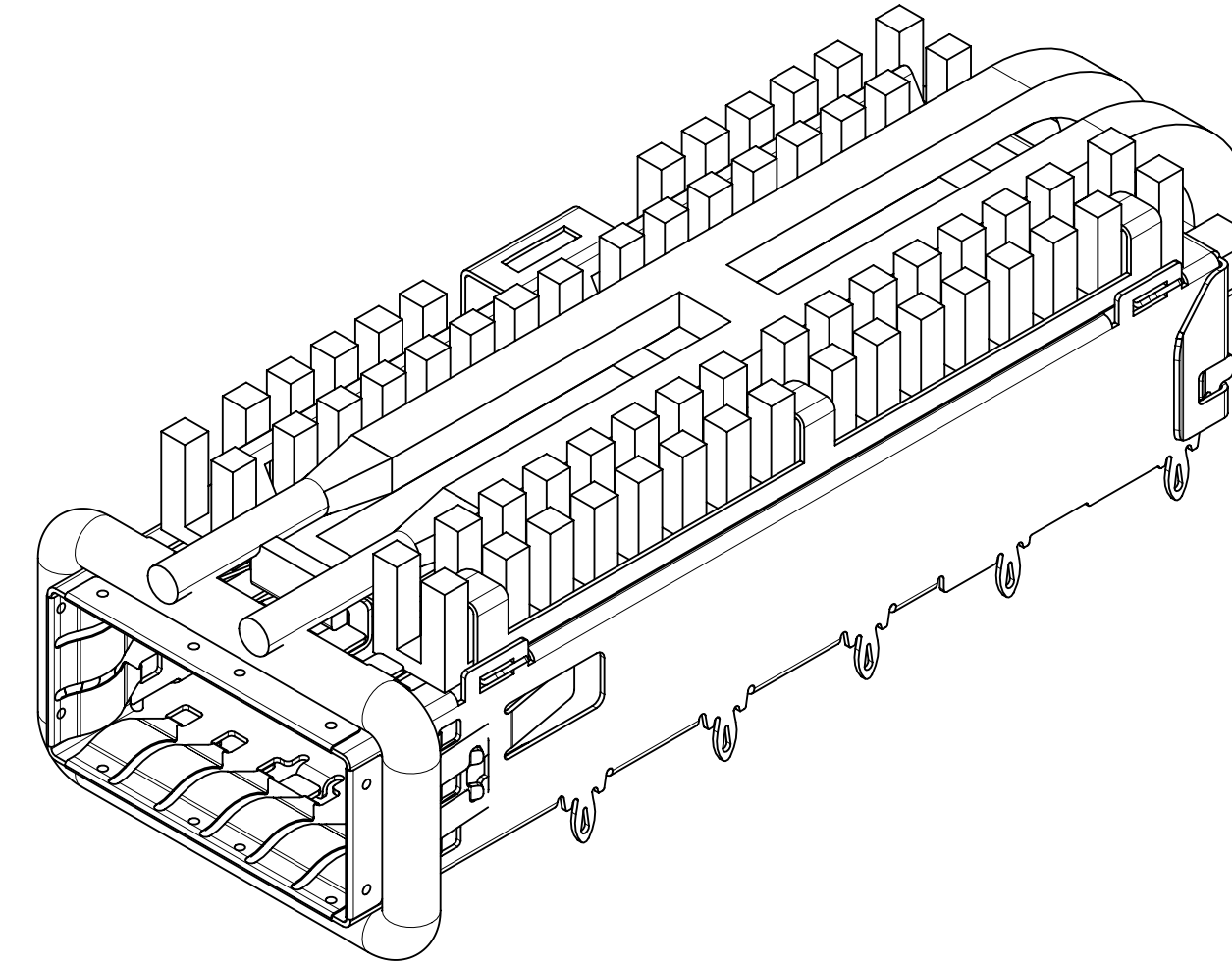
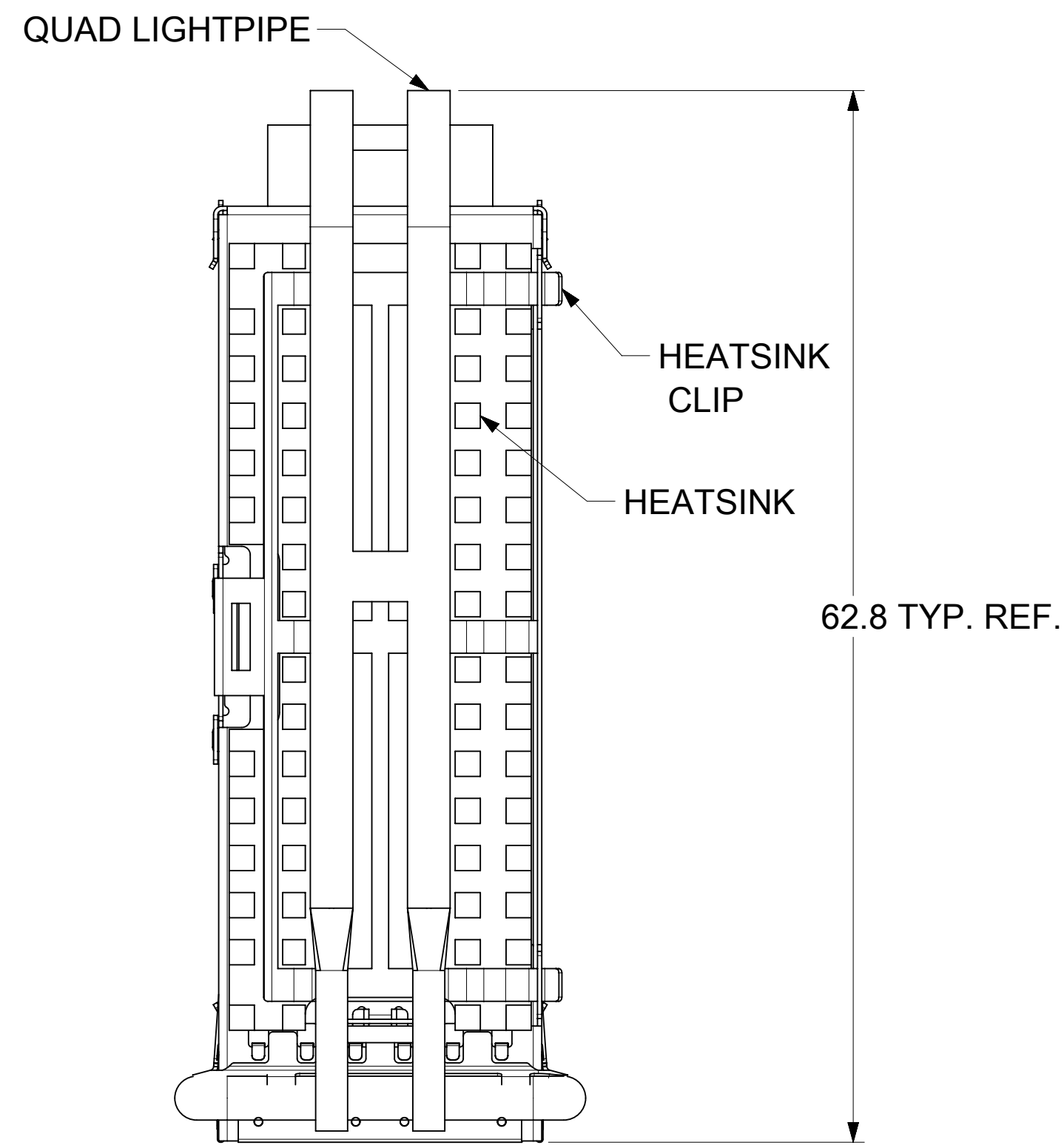


SECTION A-A

- NOTES:
- PRESS FIT LEGS 2.28mm LONG
 - MATERIAL:
CAGE: 0.25mm THICK COPPER ALLOY, NICKEL PLATED
SPRING FINGERS: STAINLESS STEEL
LIGHT PIPE/HEAT SINK CLIP: STAINLESS STEEL
LIGHT PIPES: POLYCARBONATE (UL 94-V0 RATED)
HEATSINKS: ALUMINUM (BLACK ANNOXIDIZED)
ELASTOMERIC GASKET: SILICON, COLOR BLACK
 - CUSTOM HEATSINKS AVAILABLE UPON REQUEST
 - QSFP+ ASSEMBLES ALSO AVAILABLE IN 1X2 (74767 SERIES),
1X3 (74768 SERIES), 1X4 (74769 SERIES) AND 1X6 (74771 SERIES).
 - PACKAGED IN TRAYS.
 - NO RoHS EXEMPTIONS.
 - WELD SPOTS MAY SHOW SLIGHT MATERIAL DISCOLORATION

| | | | | | | | | | | | |
|---|--|------------------------------|--|--|--|---------------|--|--|--|--|--|
| THIS DRAWING CONTAINS INFORMATION THAT IS PROPRIETARY TO MOLEX ELECTRONIC TECHNOLOGIES, LLC AND SHOULD NOT BE USED WITHOUT WRITTEN PERMISSION | | | | | | | | | | | |
| DIMENSION UNITS | | SCALE | | CURRENT REV DESC: | | | | | | | |
| mm | | 1:1 | | <p>molex</p> <p>QSFP+ 1X1 CAGE ASSEMBLY W / ELASTOMERIC GASKET, SUS INNER SPRING FINGER (ROUND & SQUARE)</p> <p>PRODUCT CUSTOMER DRAWING</p> <p>DOCUMENT NUMBER: 747503022 DOC TYPE: PSD DOC PART: ASY REVISION: A</p> <p>MATERIAL NUMBER: SEE SHEET 4 CUSTOMER: SHEET NUMBER: 1 OF 9</p> | | | | | | | |
| GENERAL TOLERANCES (UNLESS SPECIFIED) | | | | | | | | | | | |
| ANGULAR TOL ± 1.0° | | | | | | | | | | | |
| 4 PLACES ± | | EC NO: 712623 | | | | | | | | | |
| 3 PLACES ± | | DRWN: PKH 2022/05/27 | | | | | | | | | |
| 2 PLACES ± 0.13 | | CHK'D: DKUMARG 2022/06/29 | | | | | | | | | |
| 1 PLACE ± 0.25 | | APPR: SCHIEN 2022/07/07 | | | | | | | | | |
| 0 PLACES ± | | INITIAL REVISION: | | | | | | | | | |
| DRAFT WHERE APPLICABLE MUST REMAIN WITHIN DIMENSIONS | | THIRD ANGLE PROJECTION | | DRAWING: D-SIZE | | SERIES: 74750 | | | | | |

CAGE ASSEMBLY OPTIONS



HEATSINK HEIGHT OPTIONS

| OVERALL HEATSINK HEIGHT | DIM 'A' | TOL |
|-------------------------|---------|-------|
| PCI | 13.7 | |
| SAN | 16.0 | +0.25 |
| NET | 23.0 | -0.73 |
| CUSTOM | 21.0 | |

¹ HEIGHT OF HEATSINK WITH MODULE INSERTED. DIMENSION MAY BE LESS DUE TO MODULE AND HEATSINK VARIATIONS.

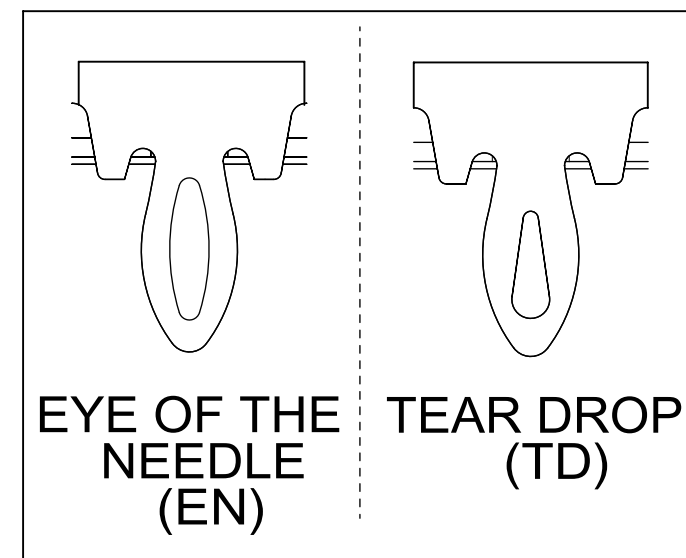
| | | | |
|---|---------------------|------------------------|---------------|
| THIS DRAWING CONTAINS INFORMATION THAT IS PROPRIETARY TO MOLEX ELECTRONIC TECHNOLOGIES, LLC AND SHOULD NOT BE USED WITHOUT WRITTEN PERMISSION | | | |
| DIMENSION UNITS mm | SCALE 3:1 | CURRENT REV DESC: | |
| GENERAL TOLERANCES (UNLESS SPECIFIED) | | EC NO: 712623 | |
| ANGULAR TOL ± 1.0° | | DRWN: PKH | 2022/05/27 |
| 4 PLACES ± | | CHK'D: DKUMARG | 2022/06/29 |
| 3 PLACES ± | | APPR: SCHIEN | 2022/07/07 |
| 2 PLACES ± 0.13 | | INITIAL REVISION: | |
| 1 PLACE ± 0.25 | | DRWN: PKH | 2022/05/27 |
| 0 PLACES ± | | APPR: SCHIEN | 2022/07/07 |
| DRAFT WHERE APPLICABLE MUST REMAIN WITHIN DIMENSIONS | | THIRD ANGLE PROJECTION | DRAWING |
| | | | D-SIZE |
| | | SERIES | 74750 |
| | | MATERIAL NUMBER | SEE SHEET 4 |
| | | CUSTOMER | |
| | | SHEET NUMBER | 2 OF 9 |

QSFP+ 1X1 CAGE ASSEMBLY
W / ELASTOMERIC GASKET, SUS INNER SPRING FINGER (ROUND & SQUARE)

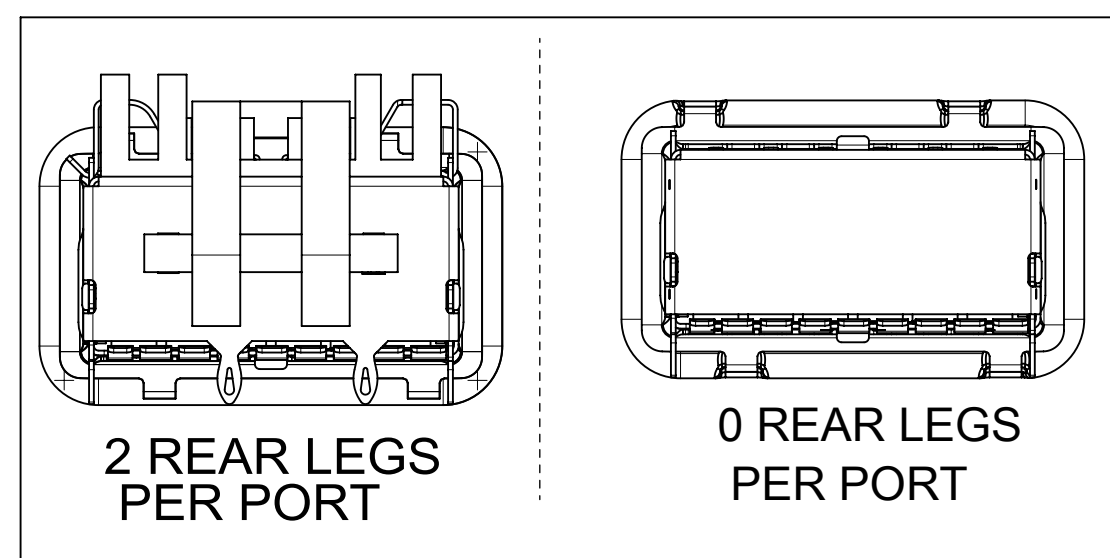
PRODUCT CUSTOMER DRAWING

DOCUMENT NUMBER: **747503022** DOC TYPE: PSD DOC PART: ASY REVISION: A

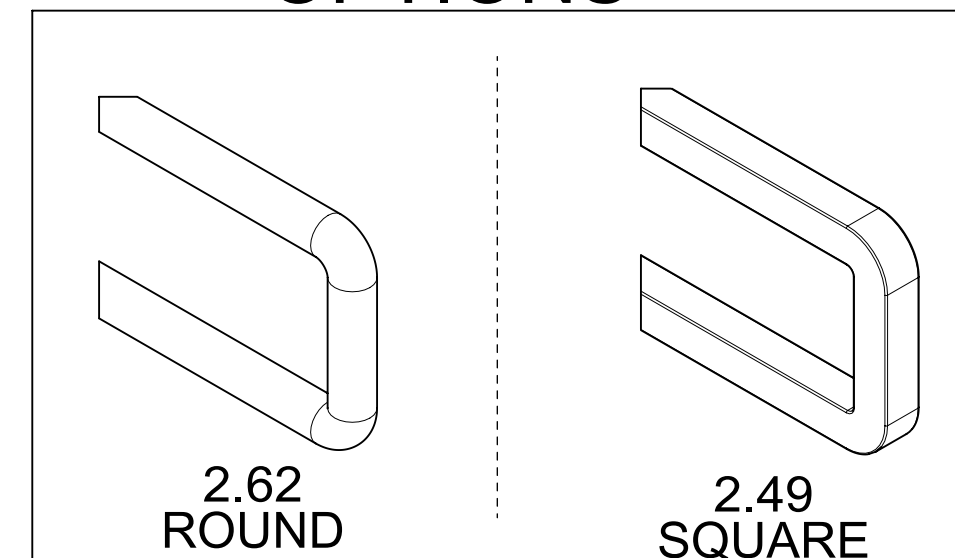
LEG OPTIONS



REAR LEG OPTIONS



ELASTOMERIC GASKET OPTIONS



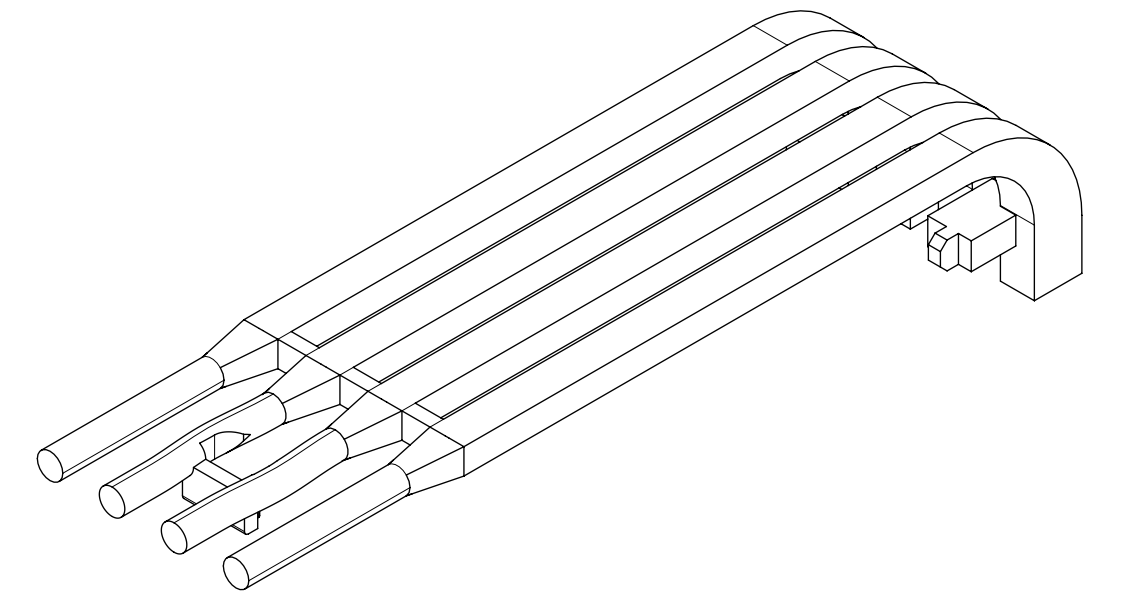
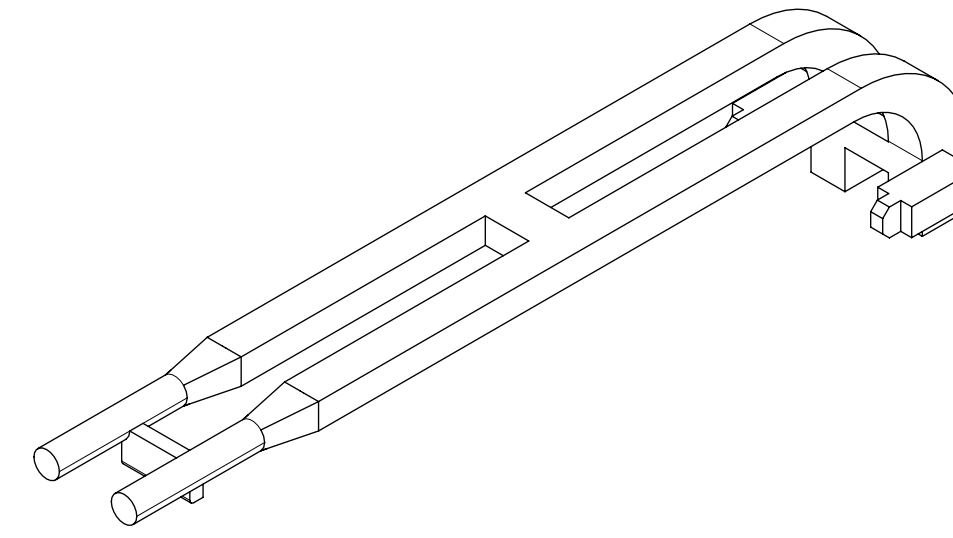
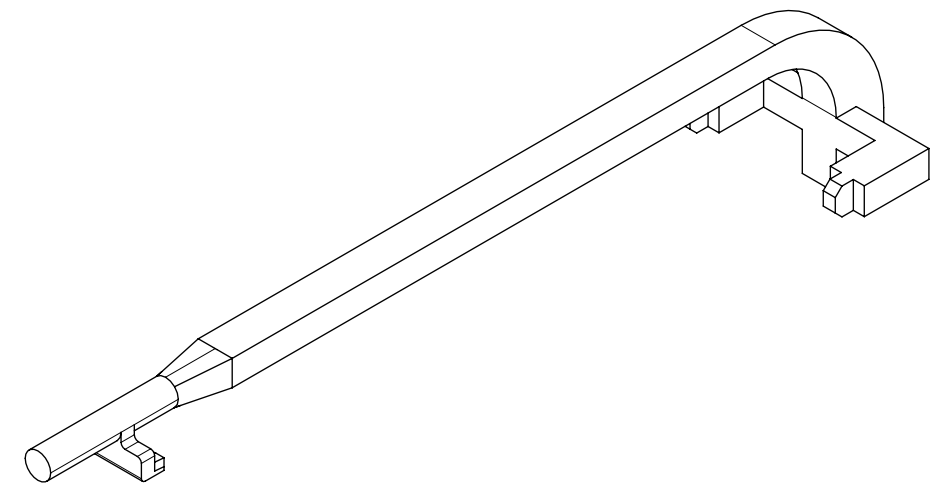
HEATSINK AND LIGHT PIPE OPTIONS

HEATSINK ONLY

SINGLE LIGHT PIPE

DUAL LIGHT PIPE

QUAD LIGHT PIPE

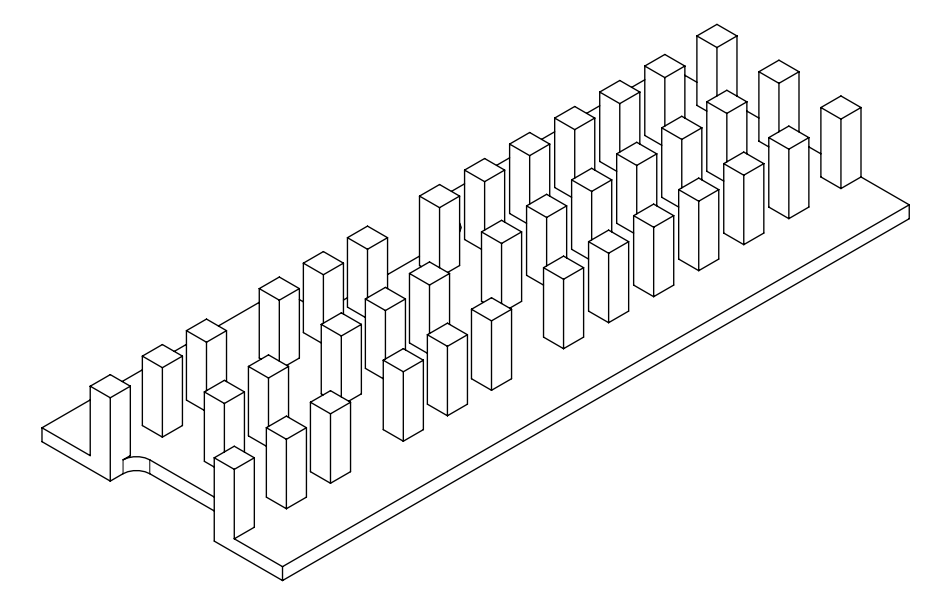
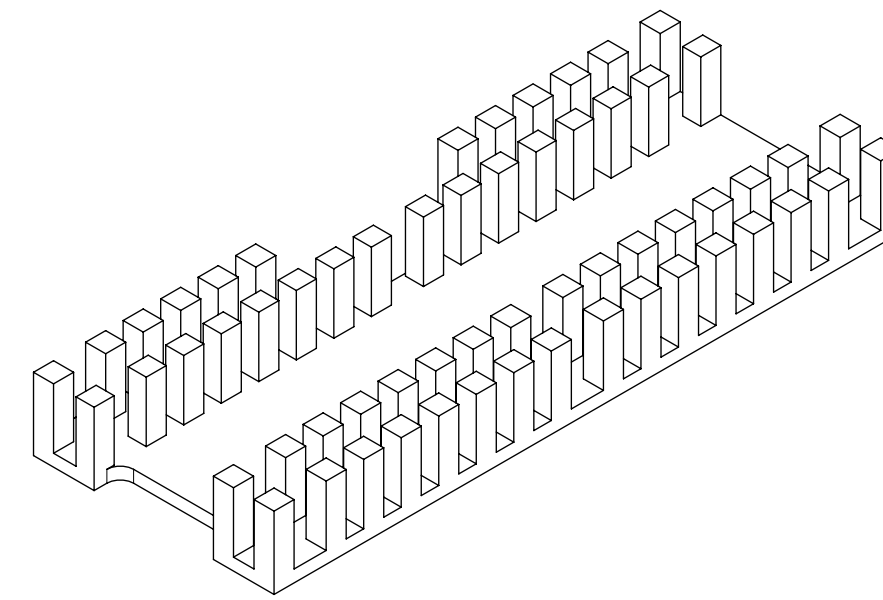
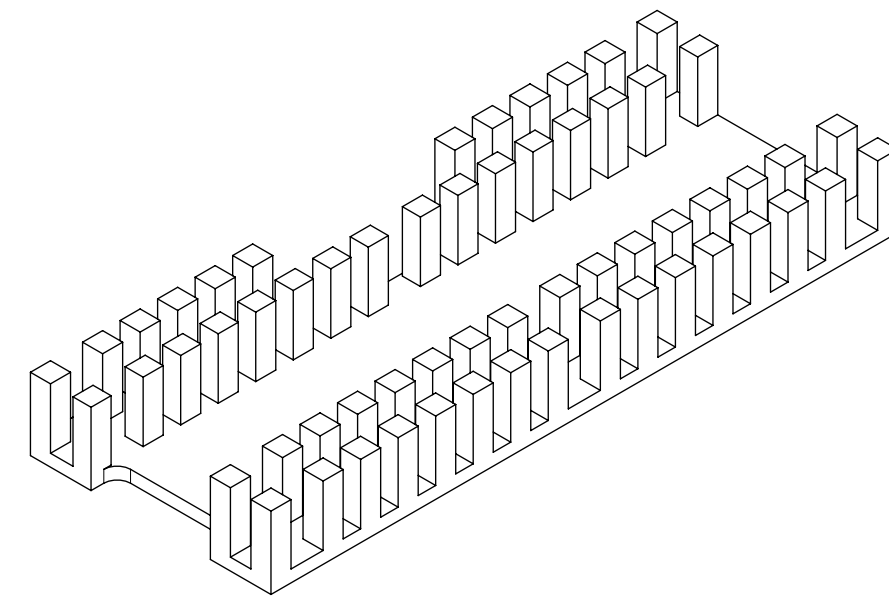
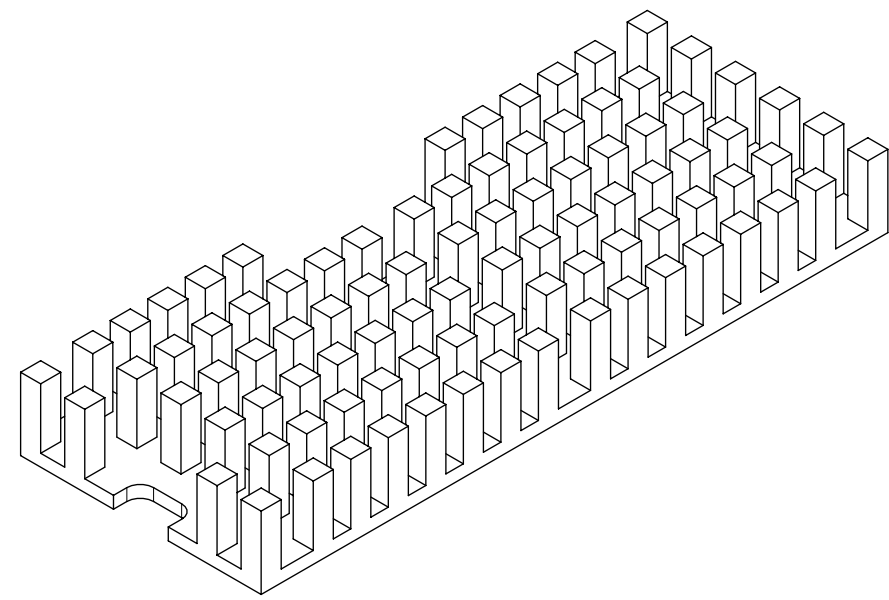


PIN FIELD HEATSINK FOR NO LIGHT PIPE

PIN FIELD HEATSINK FOR SINGLE LIGHT PIPE

PIN FIELD HEATSINK FOR DUAL LIGHT PIPE

PIN FIELD HEATSINK FOR QUAD LIGHT PIPE



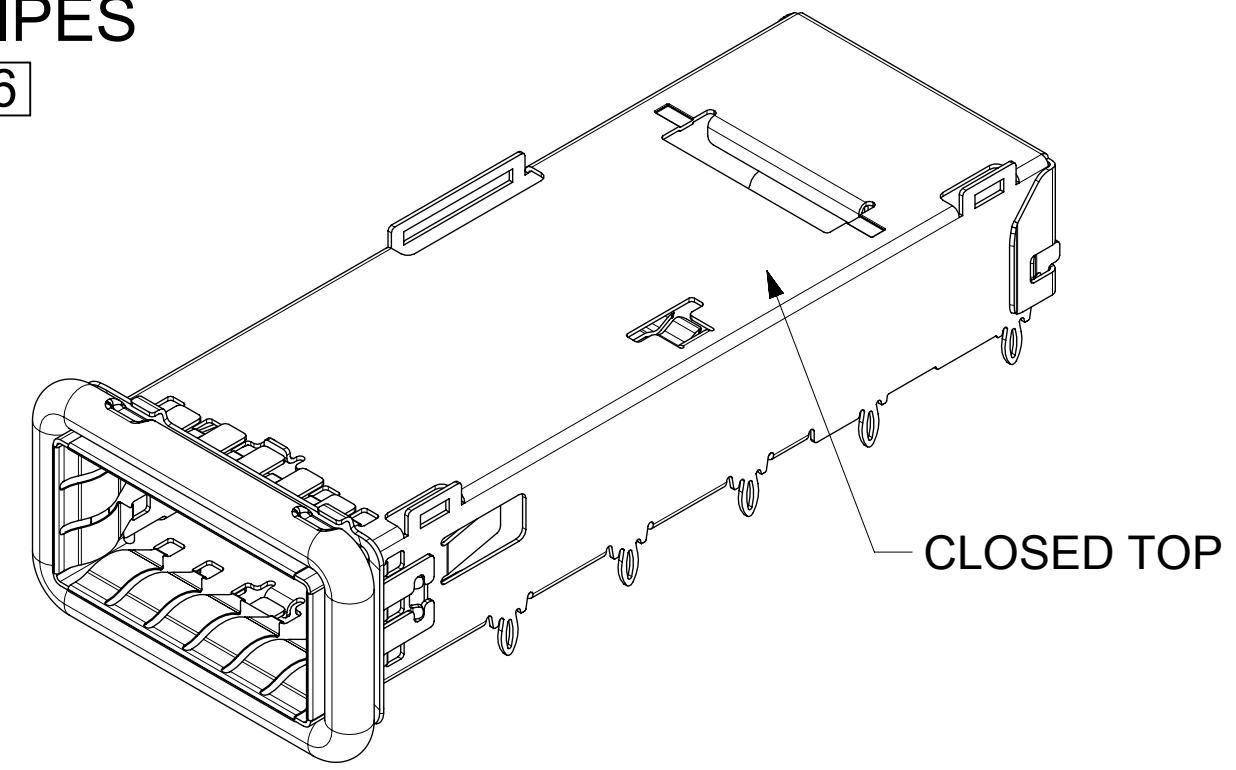
NOTES:
 1. MATERIALS:
 LIGHT PIPE: LEXAN 940A
 HEATSINK: ALUMINUM (BLACK ANNOXIDIZED)

| | | | | | | | | | | | | |
|---|--|-------|--|------------------------|--|------------|--|---|--|-------------|----------|--------------|
| THIS DRAWING CONTAINS INFORMATION THAT IS PROPRIETARY TO MOLEX ELECTRONIC TECHNOLOGIES, LLC AND SHOULD NOT BE USED WITHOUT WRITTEN PERMISSION | | | | | | | | | | | | |
| DIMENSION UNITS | | SCALE | | CURRENT REV DESC: | | | | | | | | |
| mm | | 2.5:1 | | | | | | | | | | |
| GENERAL TOLERANCES (UNLESS SPECIFIED) | | | | EC NO: 712623 | | | | | | | | |
| ANGULAR TOL ± 1.0° | | | | DRWN: PKH | | 2022/05/27 | | QSFP+ 1X1 CAGE ASSEMBLY W / ELASTOMERIC GASKET, SUS INNER SPRING FINGER (ROUND & SQUARE) | | | | |
| 4 PLACES ± | | | | CHK'D: DKUMARG | | 2022/06/29 | | | | | | |
| 3 PLACES ± | | | | APPR: SCHIEN | | 2022/07/07 | | PRODUCT CUSTOMER DRAWING | | | | |
| 2 PLACES ± 0.13 | | | | INITIAL REVISION: | | | | DOCUMENT NUMBER | | DOC TYPE | DOC PART | REVISION |
| 1 PLACE ± 0.25 | | | | DRWN: PKH | | 2022/05/27 | | 747503022 | | PSD | ASY | A |
| 0 PLACES ± | | | | APPR: SCHIEN | | 2022/07/07 | | MATERIAL NUMBER | | CUSTOMER | | SHEET NUMBER |
| DRAFT WHERE APPLICABLE MUST REMAIN WITHIN DIMENSIONS | | | | THIRD ANGLE PROJECTION | | DRAWING | | SERIES | | SEE SHEET 4 | | 3 OF 9 |
| | | | | | | D-SIZE | | 74750 | | | | |

| | | | | |
|-----------------|----|--------------|------------|----------|
| DOCUMENT STATUS | P1 | RELEASE DATE | 2022/07/07 | 13:29:38 |
|-----------------|----|--------------|------------|----------|

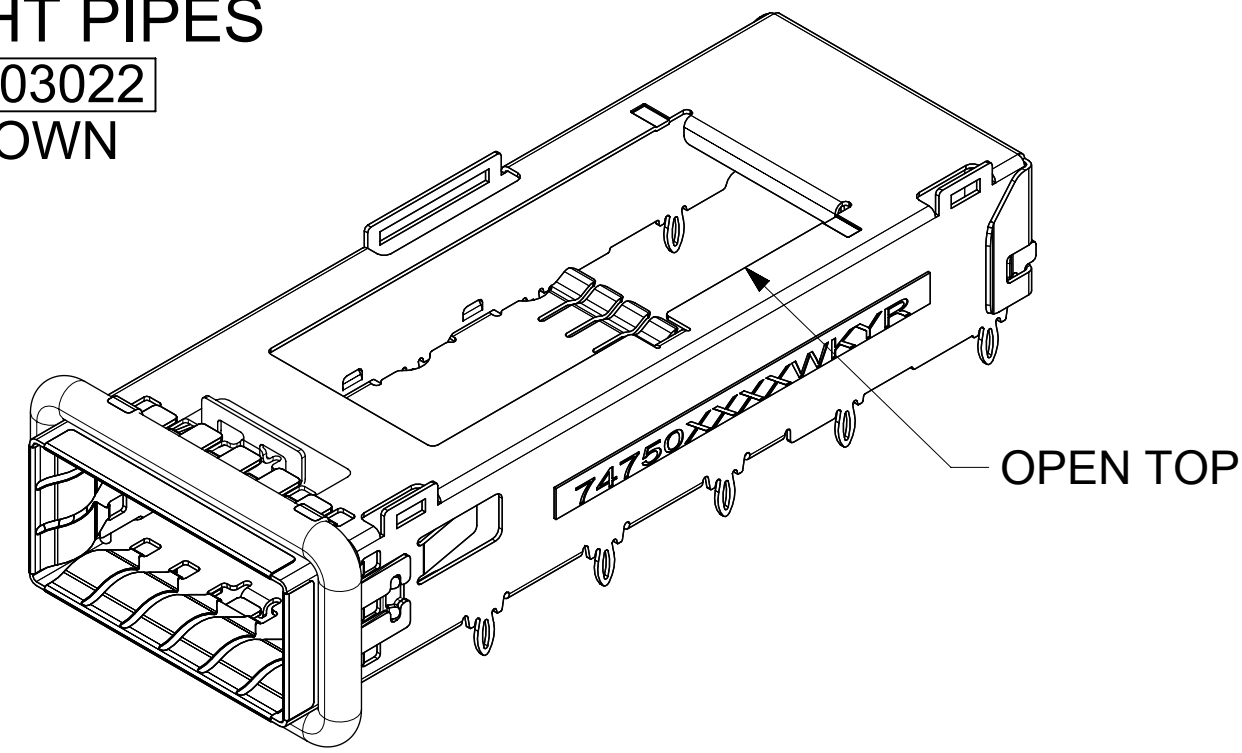
PART NUMBER SELECTION

NO HEATSINKS
NO LIGHT PIPES
747503026
SHOWN



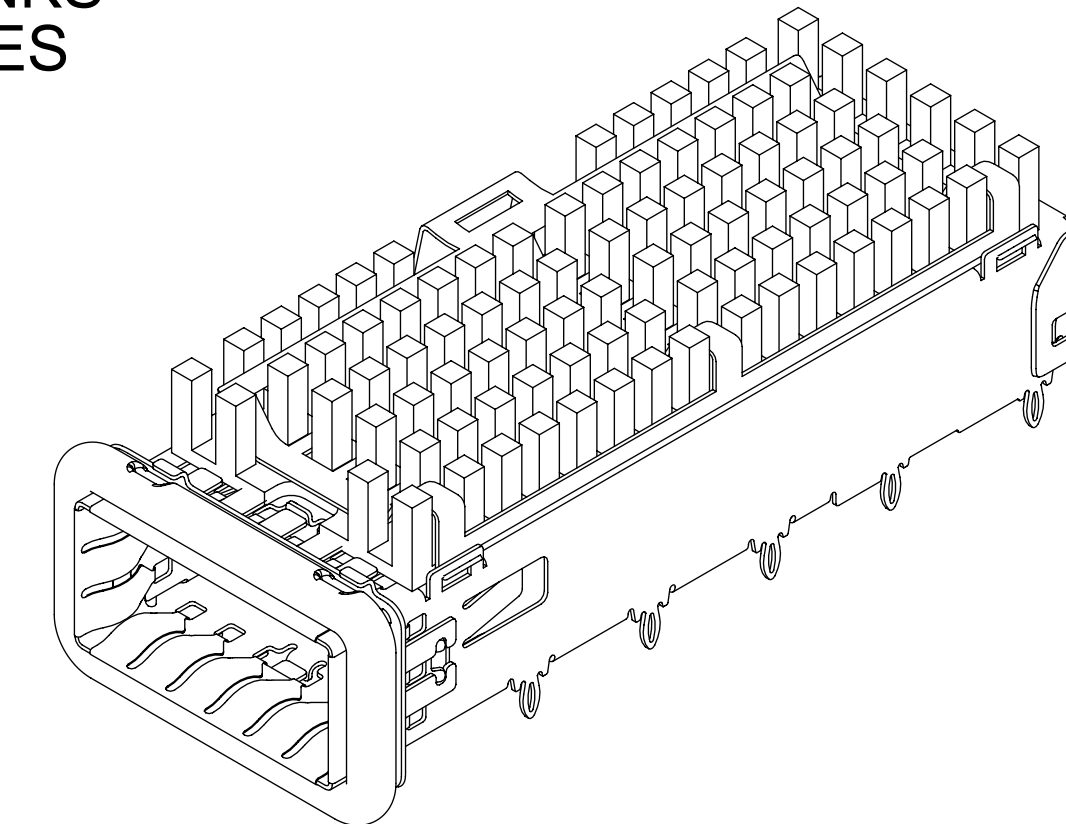
| MOLEX P/N | | LEG TYPE | # OF REAR LEGS PER PORT |
|--|---|----------|-------------------------|
| WITH 2.62 REF ROUND ELASTOMERIC GASKET | WITH 2.49 REF SQUARE ELASTOMERIC GASKET | | |
| 747503026 | --- | EN | 2 |

NO HEATSINKS
NO LIGHT PIPES
747503022
SHOWN



| MOLEX P/N | | LEG TYPE | # OF REAR LEGS PER PORT |
|--|---|----------|-------------------------|
| WITH 2.62 REF ROUND ELASTOMERIC GASKET | WITH 2.49 REF SQUARE ELASTOMERIC GASKET | | |
| 747503022 | --- | EN | 2 |
| 747503025 | --- | EN | - |
| 747503094 | --- | EN | 2 |
| 747503200 | --- | TD | 2 |

WITH HEATSINKS
NO LIGHT PIPES
747503041
SHOWN

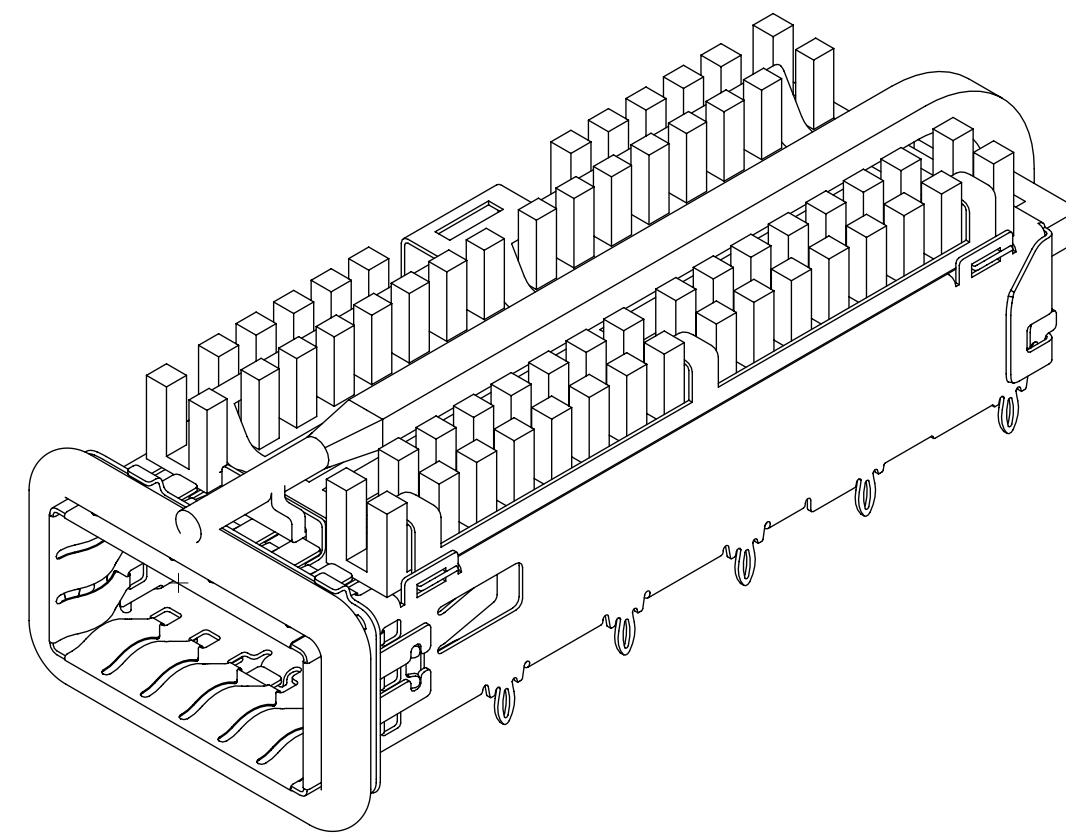


| MOLEX P/N | | HEAT-SINKS | LEG TYPE | # OF REAR LEGS PER PORT |
|--|---|------------|----------|-------------------------|
| WITH 2.62 REF ROUND ELASTOMERIC GASKET | WITH 2.49 REF SQUARE ELASTOMERIC GASKET | | | |
| 747503041 | --- | SAN | EN | 2 |
| 747503047 | --- | NET | EN | 2 |
| 747503048 | --- | CUSTOM | EN | 2 |
| 747503242 | --- | PCI | TD | 2 |

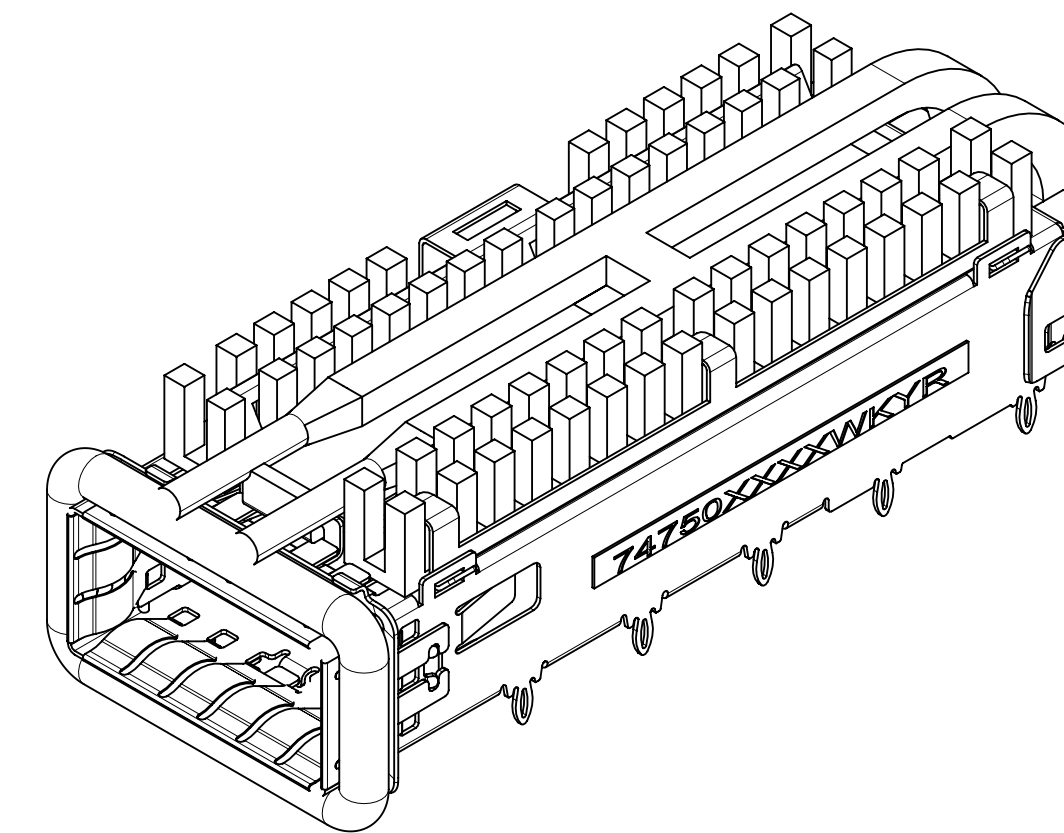
WITH OR WITHOUT HEATSINKS AND LIGHT PIPES

| MOLEX P/N | | LIGHT PIPES | HEAT-SINKS | LEG TYPE | # OF REAR LEGS PER PORT | LIGHT PIPE LENGTH |
|--|---|-------------|------------|----------|-------------------------|-------------------|
| WITH 2.62 REF ROUND ELASTOMERIC GASKET | WITH 2.49 REF SQUARE ELASTOMERIC GASKET | | | | | |
| 747503070 | --- | SINGLE | SAN | EN | 2 | 55.0 |
| 747503072 | --- | DUAL | SAN | EN | 2 | |
| 747503073 | --- | DUAL | NET | EN | 2 | |
| 747503571 | --- | QUAD | SAN | EN | 2 | 55.0 |
| 747503577 | --- | DUAL | SAN | TD | 2 | |
| 747503578 | --- | DUAL | NET | TD | 2 | |

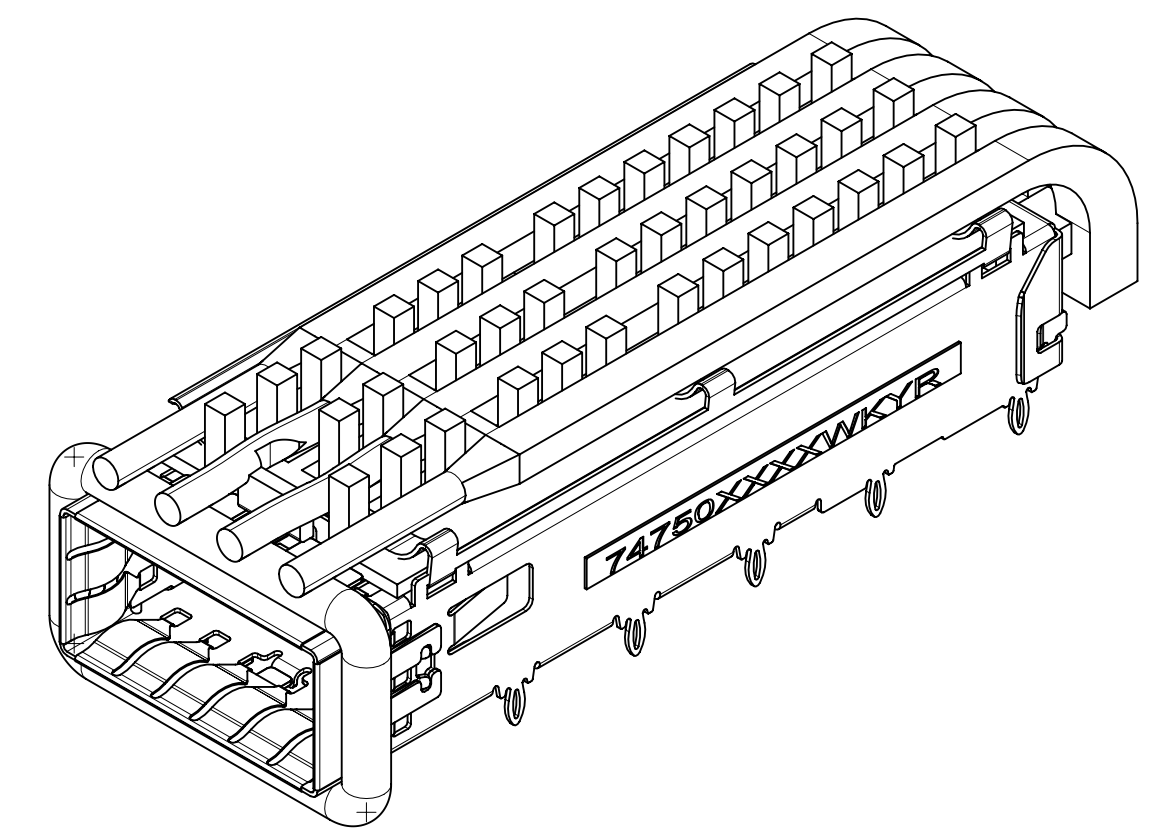
SINGLE LIGHT PIPE
747503070
SHOWN



DUAL LIGHT PIPES
747503072
SHOWN



QUAD LIGHT PIPES
747503571
SHOWN



| | | | | | | | | | |
|---|--------|---------------------------|--|--------------|--|---------------------|--|-----------------|--|
| THIS DRAWING CONTAINS INFORMATION THAT IS PROPRIETARY TO MOLEX ELECTRONIC TECHNOLOGIES, LLC AND SHOULD NOT BE USED WITHOUT WRITTEN PERMISSION | | | | | | | | | |
| DIMENSION UNITS | SCALE | CURRENT REV DESC: | | | | | | | |
| mm | 2.5:1 | | | | | | | | |
| GENERAL TOLERANCES (UNLESS SPECIFIED) | | | | | | | | | |
| ANGULAR TOL | ± 1.0° | | | | | | | | |
| 4 PLACES | ± | EC NO: 712623 | | | | | | | |
| 3 PLACES | ± | DRWN: PKH 2022/05/27 | | | | | | | |
| 2 PLACES | ± 0.13 | CHK'D: DKUMARG 2022/06/29 | | | | | | | |
| 1 PLACE | ± 0.25 | APPR: SCHIEN 2022/07/07 | | | | | | | |
| 0 PLACES | ± | INITIAL REVISION: | | | | | | | |
| DRAFT WHERE APPLICABLE MUST REMAIN WITHIN DIMENSIONS | | THIRD ANGLE PROJECTION | | DRAWING | | SERIES | | MATERIAL NUMBER | |
| | | D-SIZE | | 74750 | | SEE P/N TABLE | | CUSTOMER | |
| DOCUMENT STATUS | | P1 | | RELEASE DATE | | 2022/07/07 13:29:38 | | SHEET NUMBER | |
| | | | | | | | | 4 OF 9 | |

molex

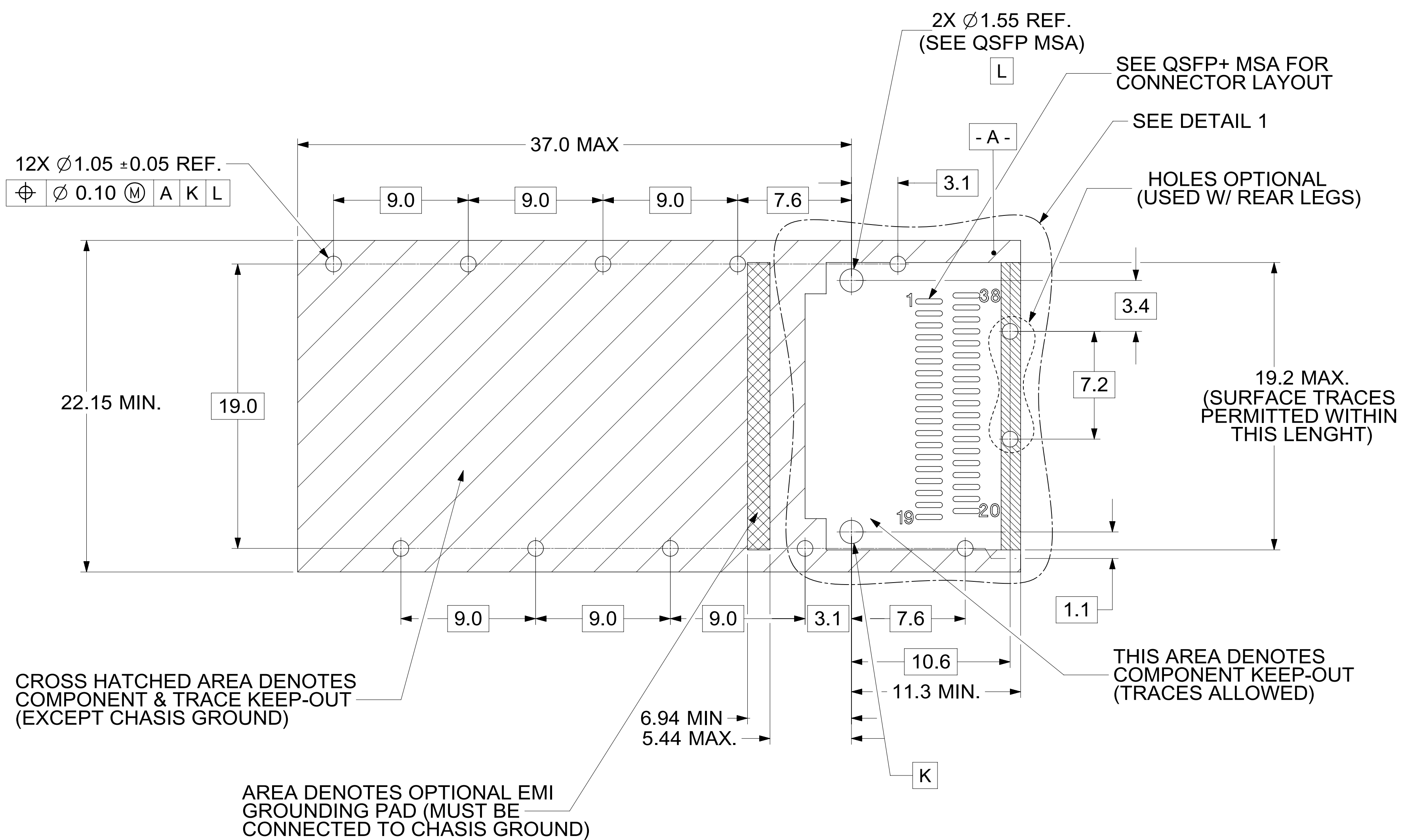
QSFP+ 1X1 CAGE ASSEMBLY
W / ELASTOMERIC GASKET, SUS INNER SPRING FINGER (ROUND & SQUARE)

PRODUCT CUSTOMER DRAWING

DOCUMENT NUMBER: 747503022
DOC TYPE: PSD
DOC PART: ASY
REVISION: A

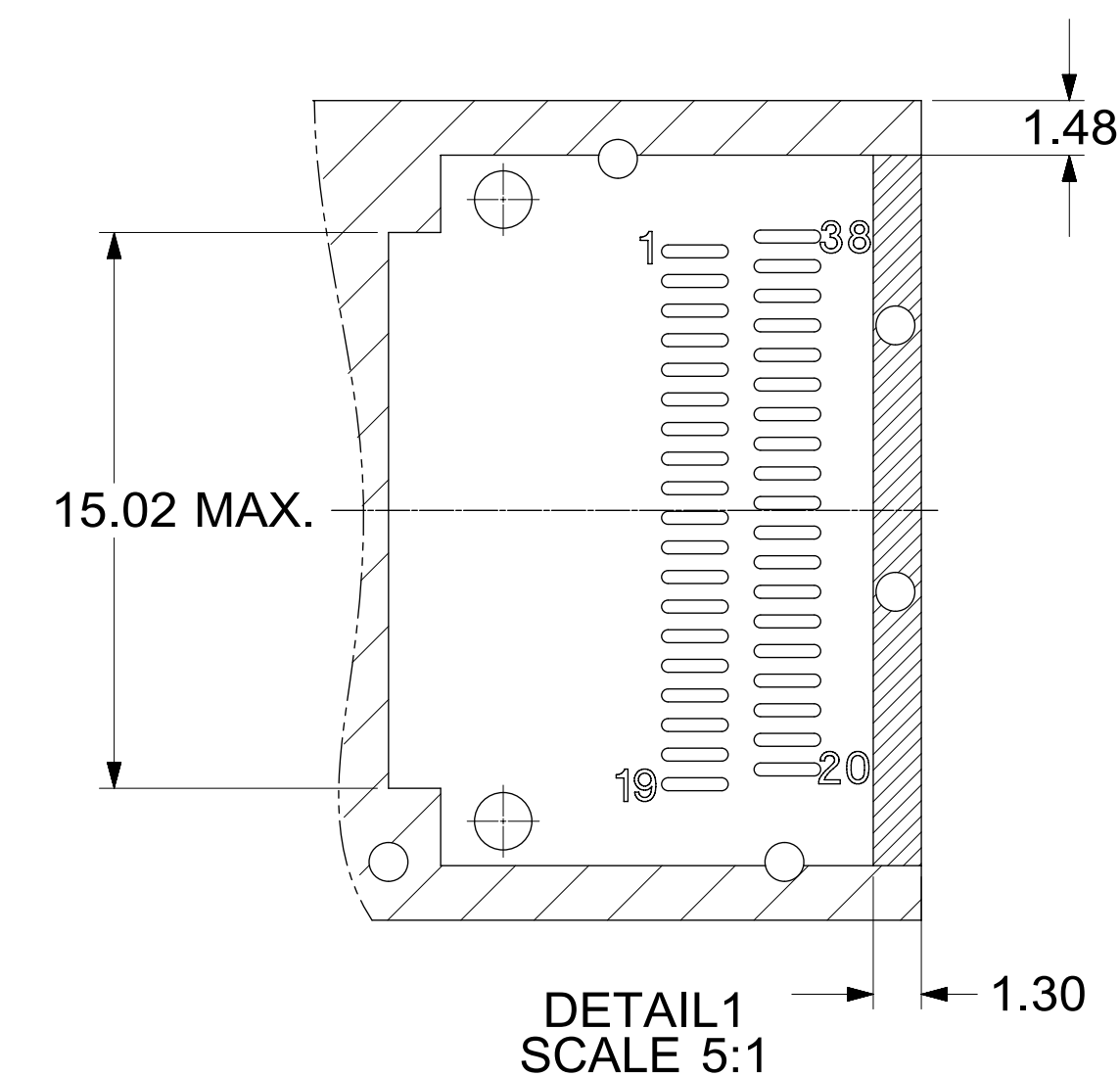
NOTE:
1. LEG TYPE:
EN - EYE OF THE NEEDLE
TD - TEAR DROP

PCB LAYOUT FOR SINGLE SIDED APPLICATIONS

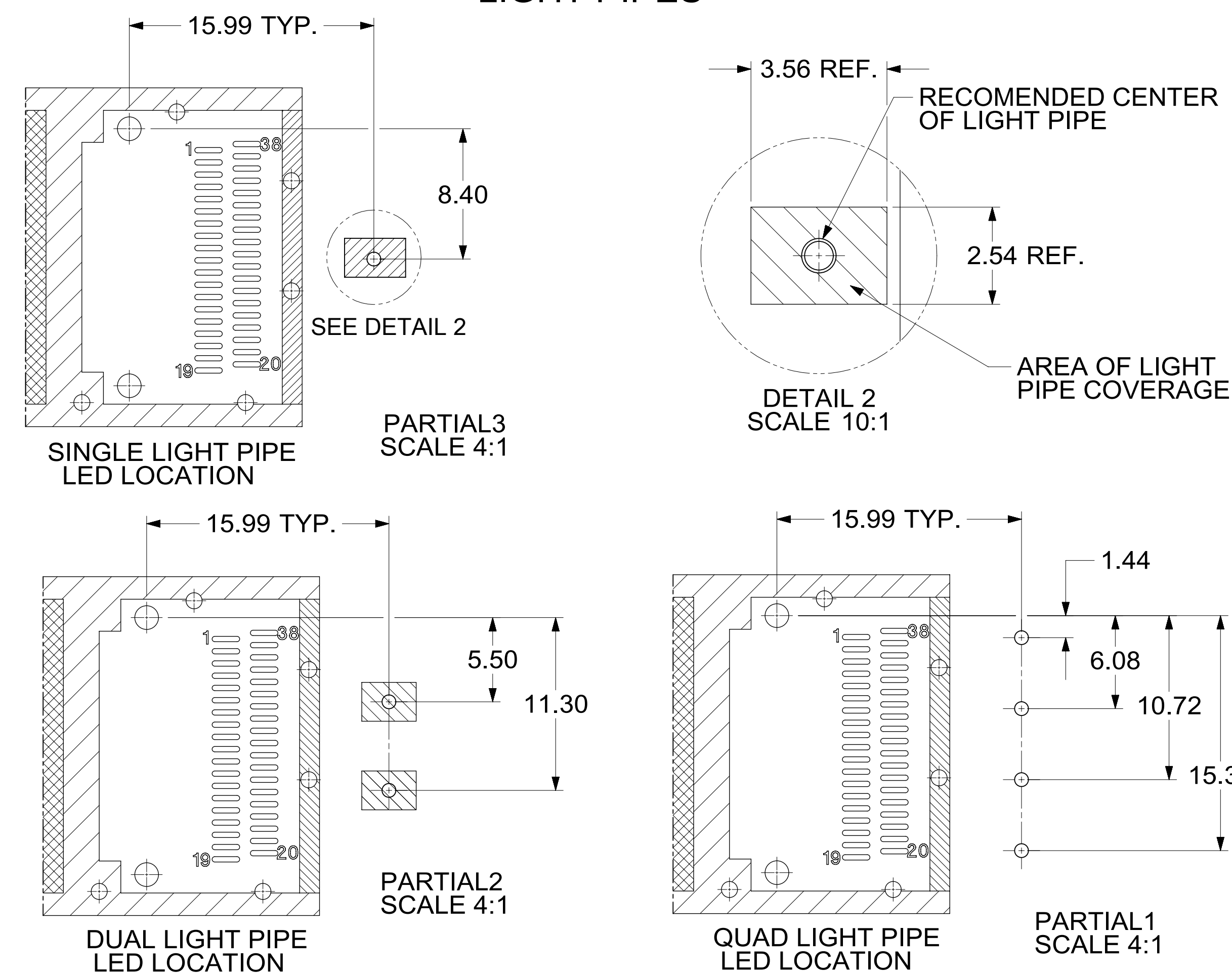


- NOTES:
- DATUM -A- IS TOP SURFACE OF HOST BOARD PER MSA
 - FINISHED HOLE SIZE (AFTER PLATING)
 - DATUM -K- IS HOST BOARD THRU HOLE #1 TO ACCEPT CONNECTOR GUIDE POST PER MSA
 - DATUM -L- IS HOST BOARD THRU HOLE #2 TO ACCEPT CONNECTOR GUIDE POST PER MSA
 - SINGLE SIDED BOARD THICKNESS:
 NOMINAL: 1.60 mm
 MINIMUM: 1.44 mm

HOST CONNECTOR DETAIL



FOR CAGE ASSEMBLIES WITH LIGHT PIPES



| | | | | | | | | | | | |
|---|--|-------|------------------------|---------------------------|---------|--------------|--------|---------------------|-----------------|--------------|--|
| THIS DRAWING CONTAINS INFORMATION THAT IS PROPRIETARY TO MOLEX ELECTRONIC TECHNOLOGIES, LLC AND SHOULD NOT BE USED WITHOUT WRITTEN PERMISSION | | | | | | | | | | | |
| DIMENSION UNITS | | SCALE | | CURRENT REV DESC: | | | | | | | |
| mm | | 4:1 | | | | | | | | | |
| GENERAL TOLERANCES (UNLESS SPECIFIED) | | | | EC NO: 712623 | | | | | | | |
| ANGULAR TOL $\pm 1.0^\circ$ | | | | DRWN: PKH 2022/05/27 | | | | | | | |
| 4 PLACES \pm | | | | CHK'D: DKUMARG 2022/06/29 | | | | | | | |
| 3 PLACES \pm | | | | APPR: SCHIEN 2022/07/07 | | | | | | | |
| 2 PLACES ± 0.13 | | | | INITIAL REVISION: | | | | | | | |
| 1 PLACE ± 0.25 | | | | DRWN: PKH 2022/05/27 | | | | | | | |
| 0 PLACES \pm | | | | APPR: SCHIEN 2022/07/07 | | | | | | | |
| DRAFT WHERE APPLICABLE MUST REMAIN WITHIN DIMENSIONS | | | THIRD ANGLE PROJECTION | | DRAWING | | SERIES | | MATERIAL NUMBER | | |
| | | | D-SIZE | | 74750 | | 74750 | | SEE SHEET 4 | | |
| DOCUMENT STATUS | | | | P1 | | RELEASE DATE | | 2022/07/07 13:29:38 | | SHEET NUMBER | |
| | | | | | | | | | | 5 OF 9 | |

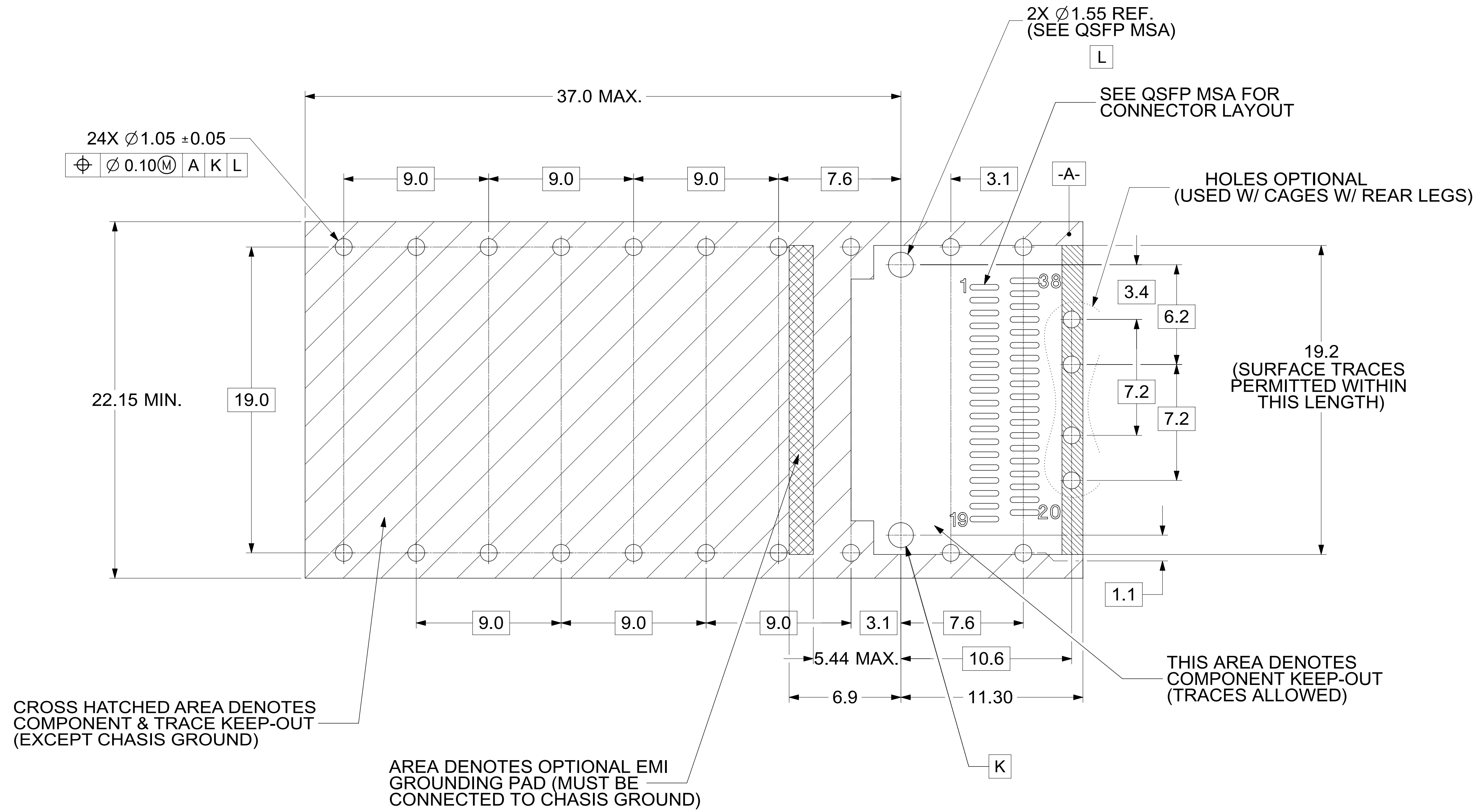
molex

QSFP+ 1X1 CAGE ASSEMBLY
 W / ELASTOMERIC GASKET, SUS INNER SPRING
 FINGER (ROUND & SQUARE)

PRODUCT CUSTOMER DRAWING

DOCUMENT NUMBER: 747503022
 DOC TYPE: PSD
 DOC PART: ASY
 REVISION: A

PCB LAYOUT FOR BELLY-TO-BELLY APPLICATIONS



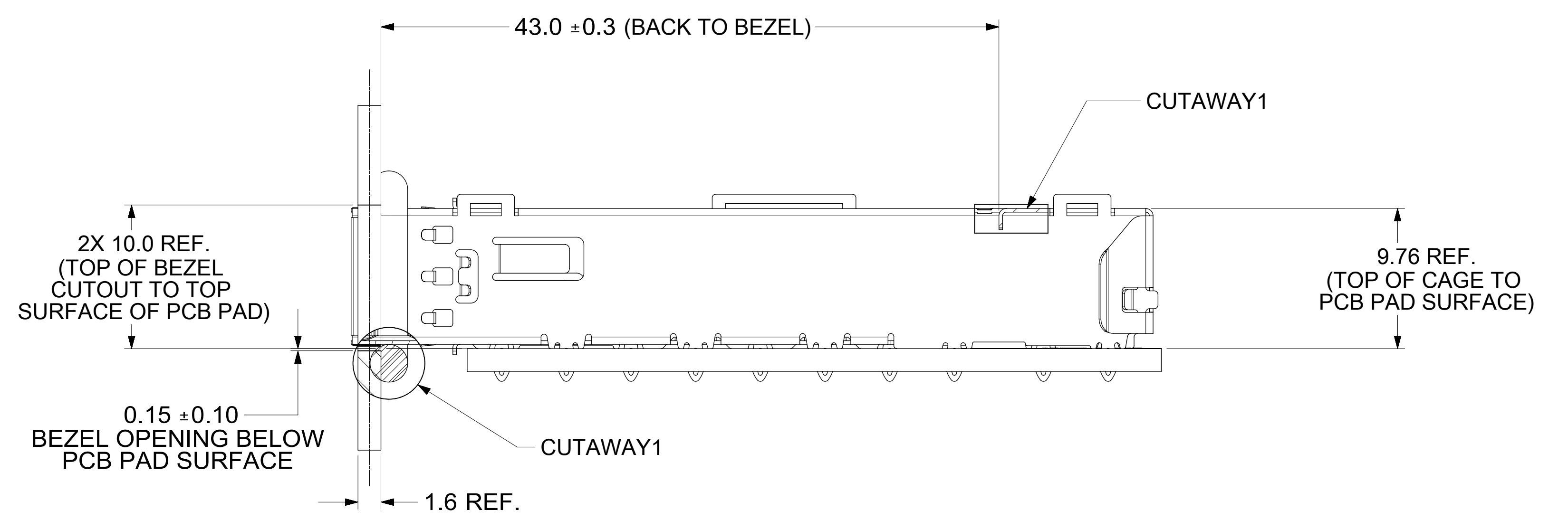
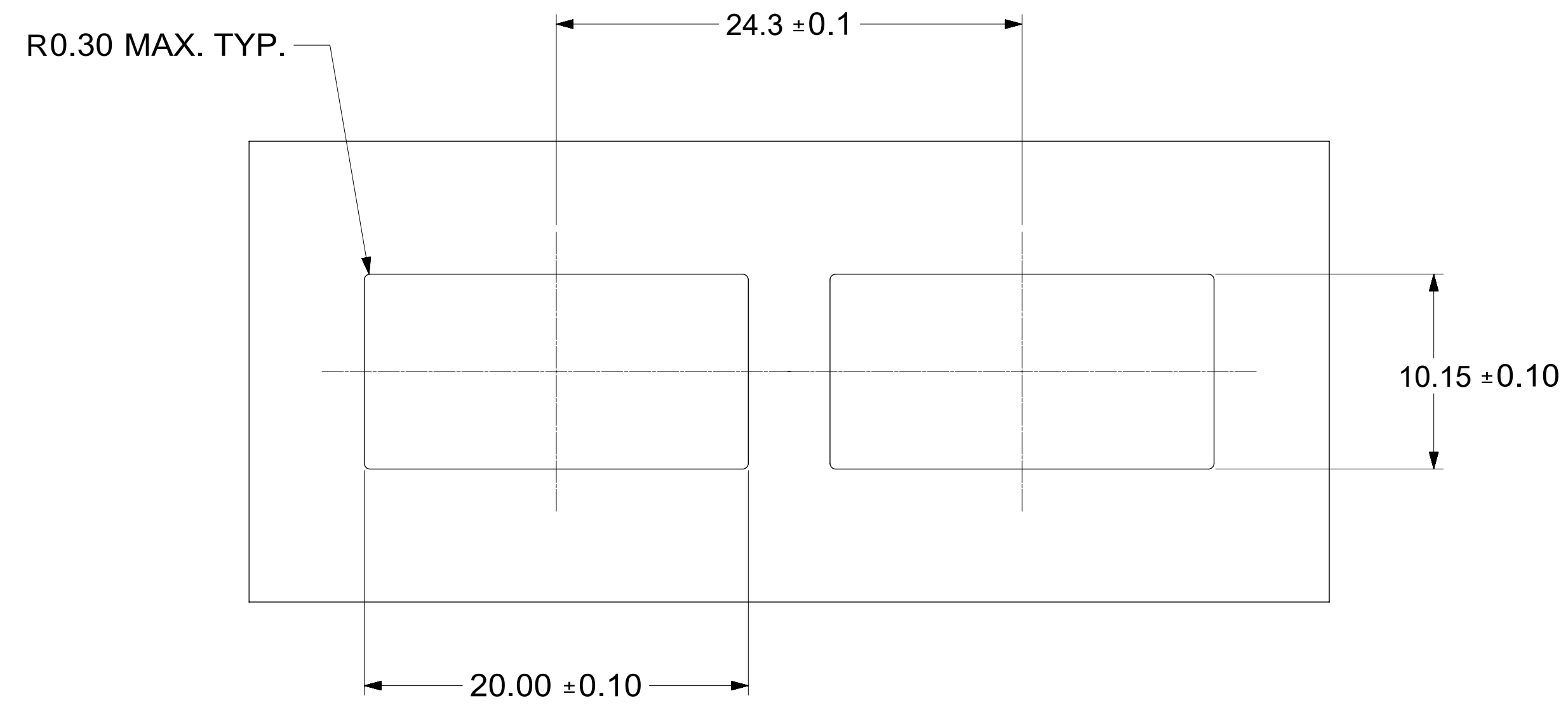
NOTE:
 FOR RECOMENDED CENTER
 OF LIGHT PIPES,
 SEE SHEET 5

- NOTES:
- DATUM -A- IS TOP SURFACE OF HOST BOARD PER MSA
 - FINISHED HOLE SIZE (AFTER PLATING)
 - DATUM -K- IS HOST BOARD THRU HOLE #1 TO ACCEPT CONNECTOR GUIDE POST PER MSA
 - DATUM -L- IS HOST BOARD THRU HOLE #2 TO ACCEPT CONNECTOR GUIDE POST PER MSA
 - BELLY TO BELLY BOARD THICKNESS:
 NOMINAL: 2.90 mm
 MINIMUM: 2.48 mm

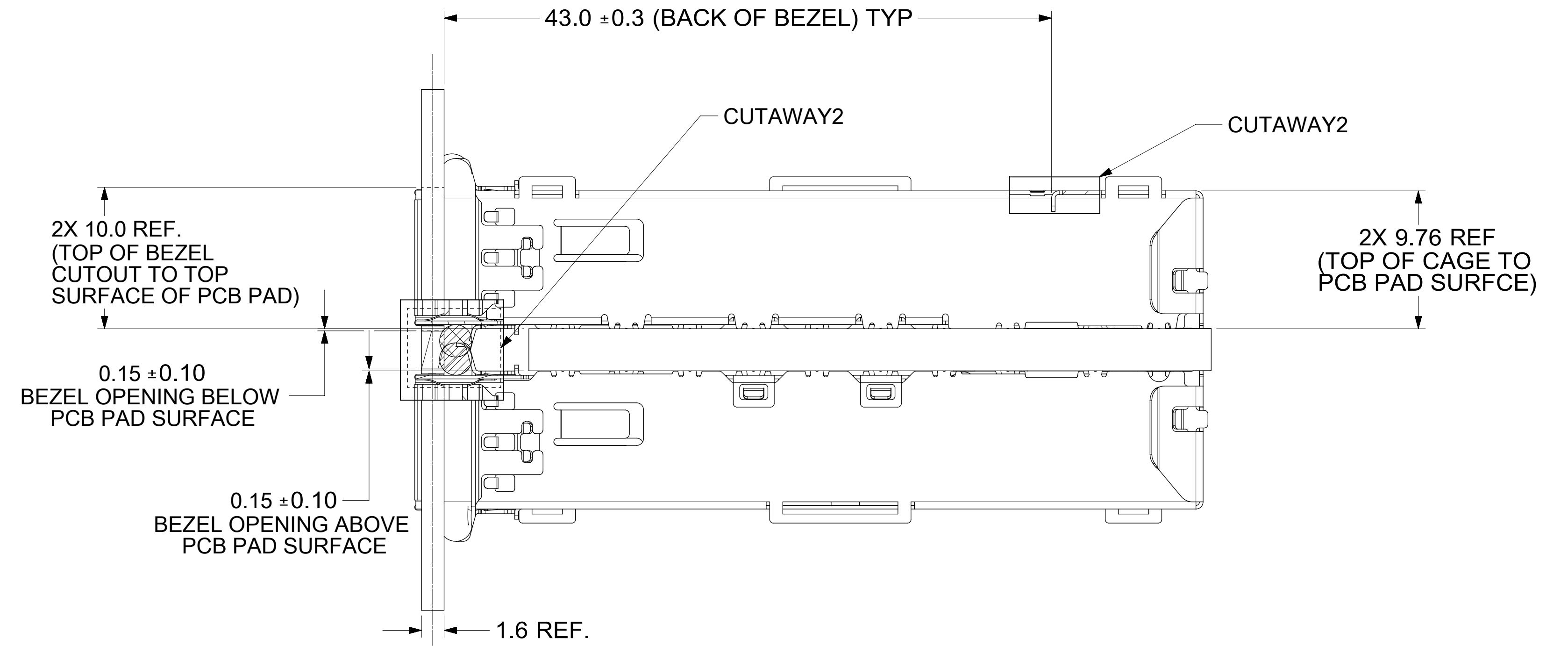
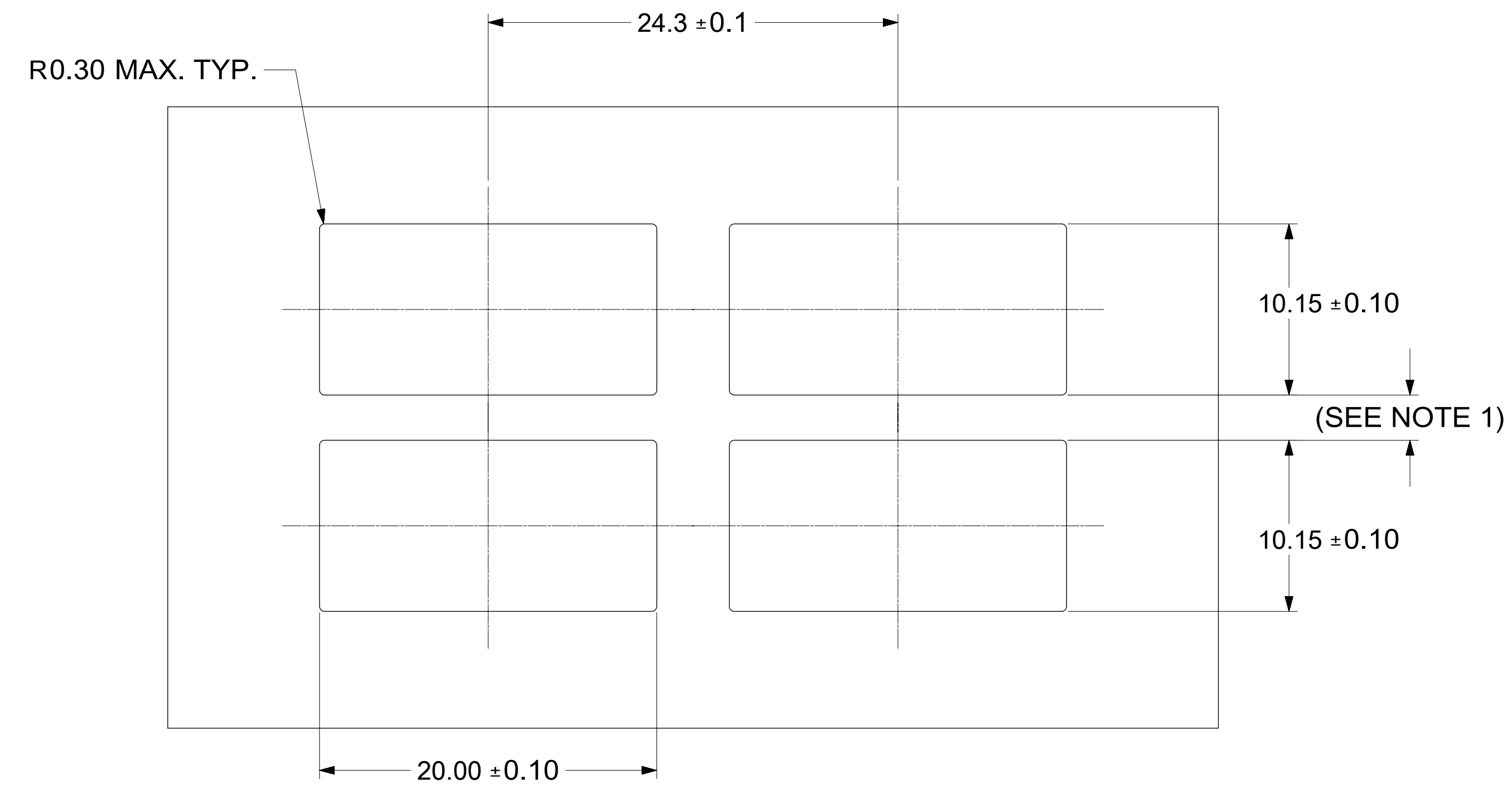
| | | | | | | | | | | | | | | | | | |
|---|--|-------|--|-------------------------------|--|------------------------|--|--------------|--|---|--|-----------------|--|------------|--|--------------|--|
| THIS DRAWING CONTAINS INFORMATION THAT IS PROPRIETARY TO MOLEX ELECTRONIC TECHNOLOGIES, LLC AND SHOULD NOT BE USED WITHOUT WRITTEN PERMISSION | | | | | | | | | | | | | | | | | |
| DIMENSION UNITS | | SCALE | | CURRENT REV DESC: | | | | | | | | | | | | | |
| mm | | 6:1 | | | | | | | | | | | | | | | |
| GENERAL TOLERANCES (UNLESS SPECIFIED) | | | | EC NO: 712623 | | DRWN: PKH | | 2022/05/27 | | QSFP+ 1X1 CAGE ASSEMBLY W / ELASTOMERIC GASKET, SUS INNER SPRING FINGER (ROUND & SQUARE) | | | | | | | |
| ANGULAR TOL $\pm 1.0^\circ$ | | | | CHK'D: DKUMARG | | 2022/06/29 | | APPR: SCHIEN | | | | | | 2022/07/07 | | | |
| 4 PLACES \pm | | | | INITIAL REVISION: | | DRWN: PKH | | 2022/05/27 | | PRODUCT CUSTOMER DRAWING DOCUMENT NUMBER: 747503022 DOC TYPE: PSD DOC PART: ASY REVISION: A | | | | | | | |
| 3 PLACES \pm | | | | APPR: SCHIEN | | 2022/07/07 | | | | | | | | | | | |
| 2 PLACES ± 0.13 | | | | DRAFT WHERE APPLICABLE | | THIRD ANGLE PROJECTION | | DRAWING | | SERIES | | MATERIAL NUMBER | | CUSTOMER | | SHEET NUMBER | |
| 1 PLACE ± 0.25 | | | | MUST REMAIN WITHIN DIMENSIONS | | | | D-SIZE | | 74750 | | SEE SHEET 4 | | 6 OF 9 | | | |
| 0 PLACES \pm | | | | | | | | | | | | | | | | | |

| | | | | |
|-----------------|----|--------------|------------|----------|
| DOCUMENT STATUS | P1 | RELEASE DATE | 2022/07/07 | 13:29:38 |
|-----------------|----|--------------|------------|----------|

BEZEL AND BOARD POSITION DIMENSIONS FOR SINGLE SIDE MOUNTING



BEZEL AND BOARD POSITION DIMENSIONS FOR BELLY TO BELLY MOUNTING



NOTE:
1. PCB THICKNESS VARIATION MUST BE CONSIDERED WHEN DETERMINING BEZEL OPENING, SIZE, AND LOCATION.

| | | | | | | | | | | | |
|---|--------|------------------------|--|-------------|--|-----------------|--|----------|--|--|--|
| THIS DRAWING CONTAINS INFORMATION THAT IS PROPRIETARY TO MOLEX ELECTRONIC TECHNOLOGIES, LLC AND SHOULD NOT BE USED WITHOUT WRITTEN PERMISSION | | | | | | | | | | | |
| DIMENSION UNITS | SCALE | CURRENT REV DESC: | | | | | | | | | |
| mm | 4:1 | | | | | | | | | | |
| GENERAL TOLERANCES (UNLESS SPECIFIED) | | | | | | | | | | | |
| ANGULAR TOL ± 1.0° | | | | | | | | | | | |
| 4 PLACES | ± | EC NO: 712623 | | | | | | | | | |
| 3 PLACES | ± | DRWN: PKH | | 2022/05/27 | | | | | | | |
| 2 PLACES | ± 0.13 | CHK'D: DKUMARG | | 2022/06/29 | | | | | | | |
| 1 PLACE | ± 0.25 | APPR: SCHIEN | | 2022/07/07 | | | | | | | |
| 0 PLACES | ± | INITIAL REVISION: | | | | | | | | | |
| DRAFT WHERE APPLICABLE MUST REMAIN WITHIN DIMENSIONS | | DRWN: PKH | | 2022/05/27 | | | | | | | |
| | | APPR: SCHIEN | | 2022/07/07 | | | | | | | |
| | | THIRD ANGLE PROJECTION | | DRAWING | | SERIES | | | | | |
| | | D-SIZE | | 74750 | | MATERIAL NUMBER | | CUSTOMER | | | |
| | | | | SEE SHEET 4 | | SHEET NUMBER | | | | | |
| | | | | 7 OF 9 | | | | | | | |

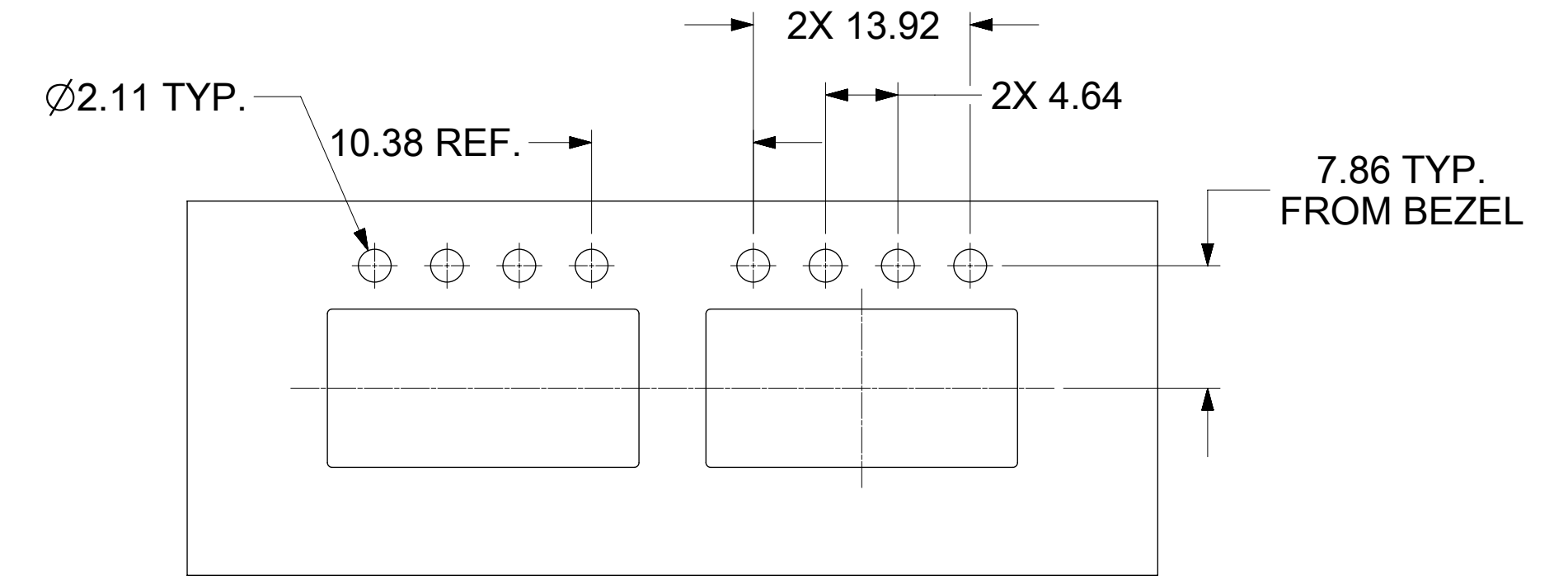
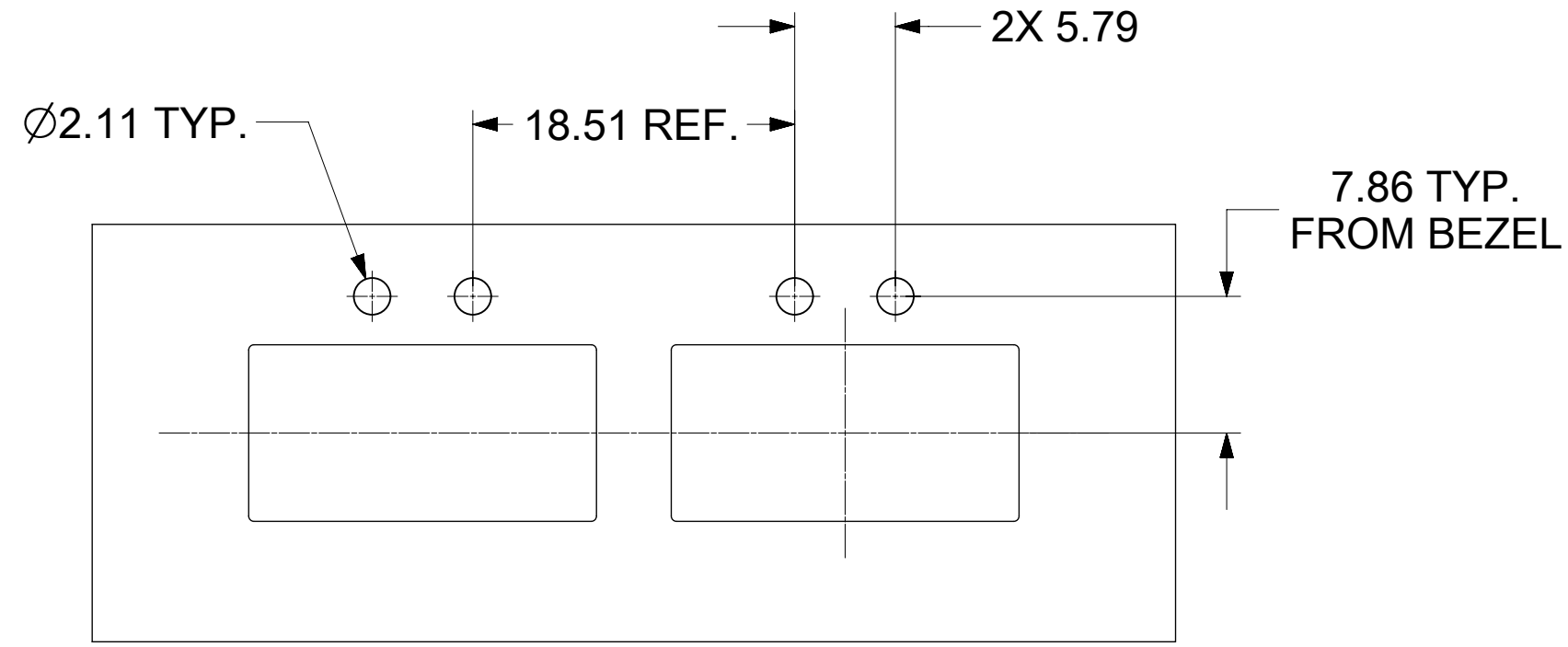
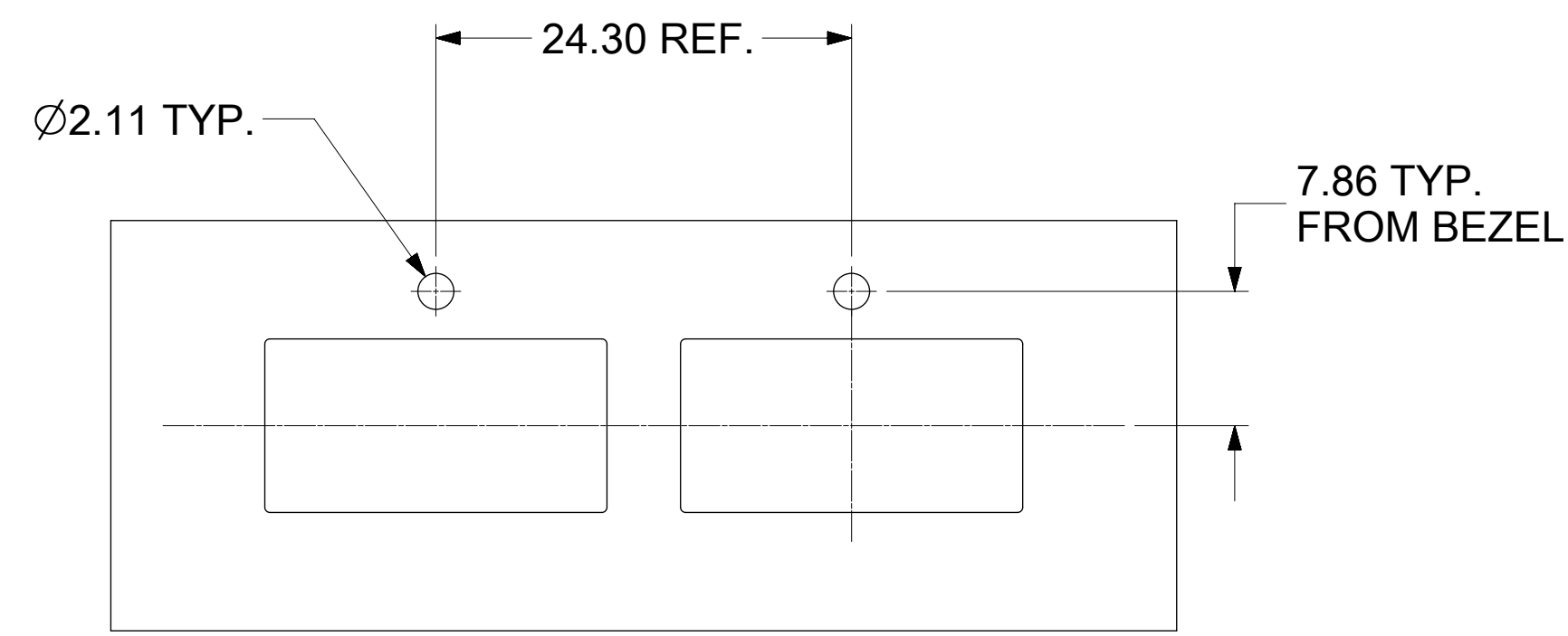
molex

QSFP+ 1X1 CAGE ASSEMBLY
W / ELASTOMERIC GASKET, SUS INNER SPRING
FINGER (ROUND & SQUARE)

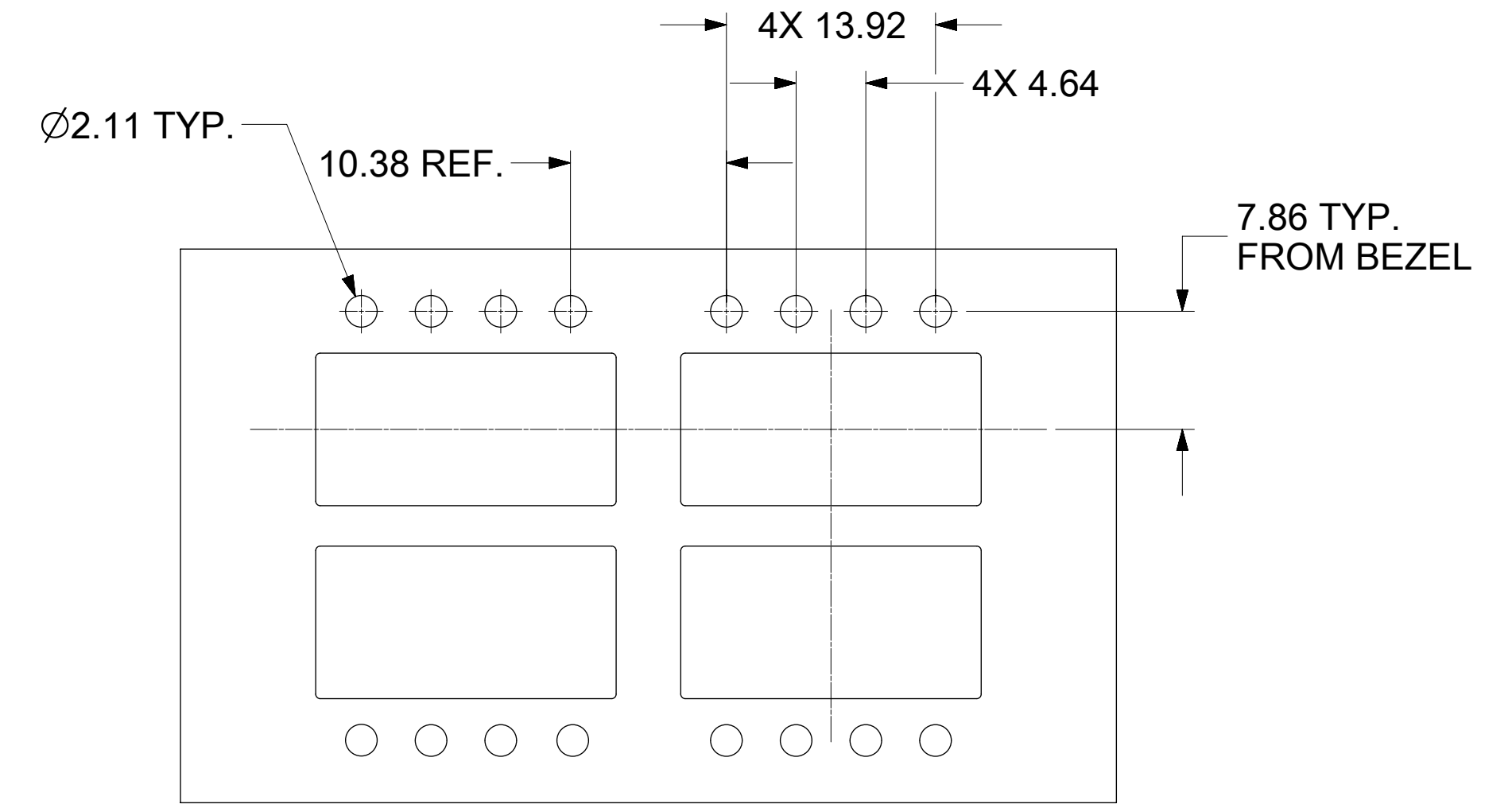
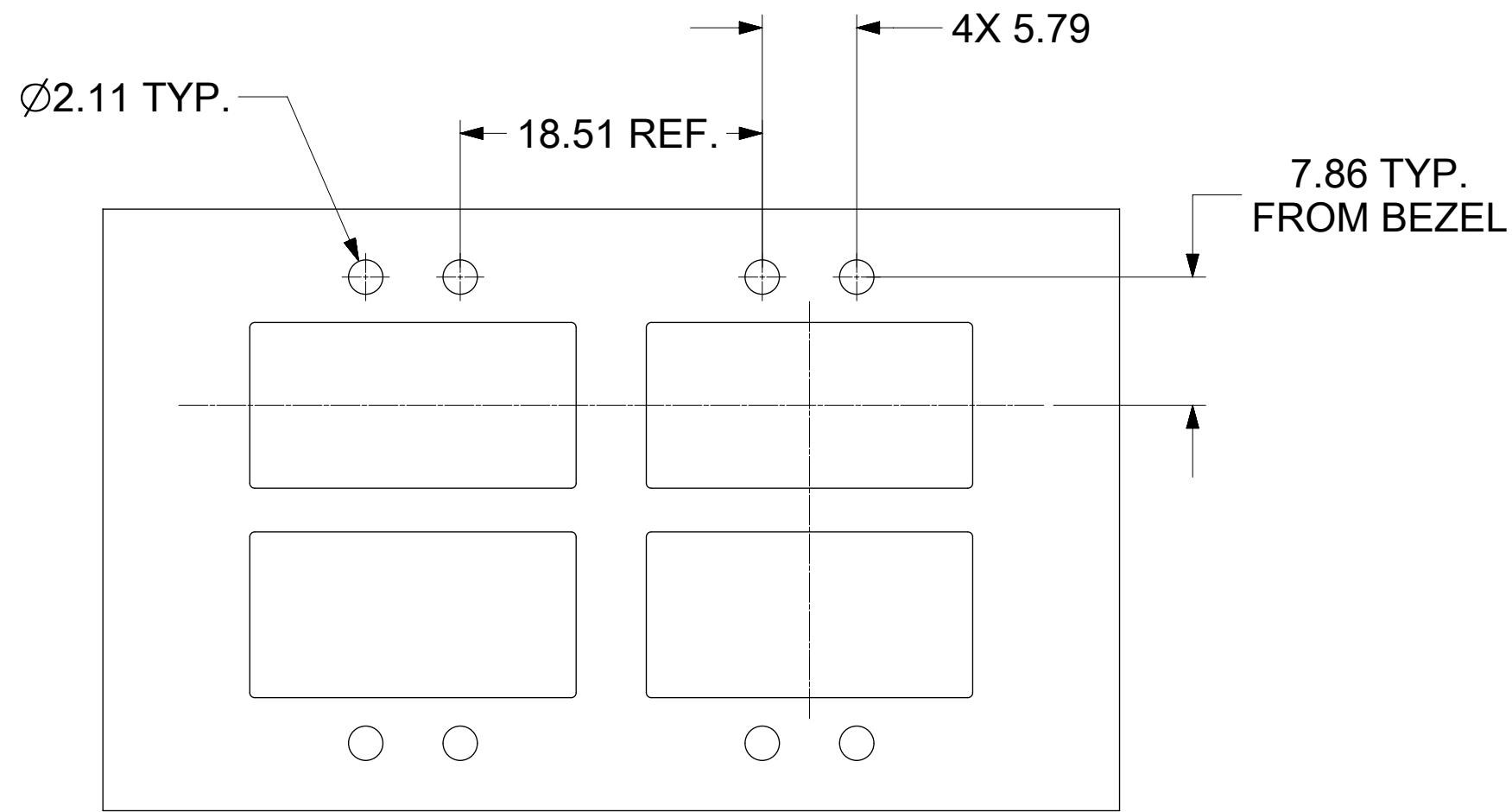
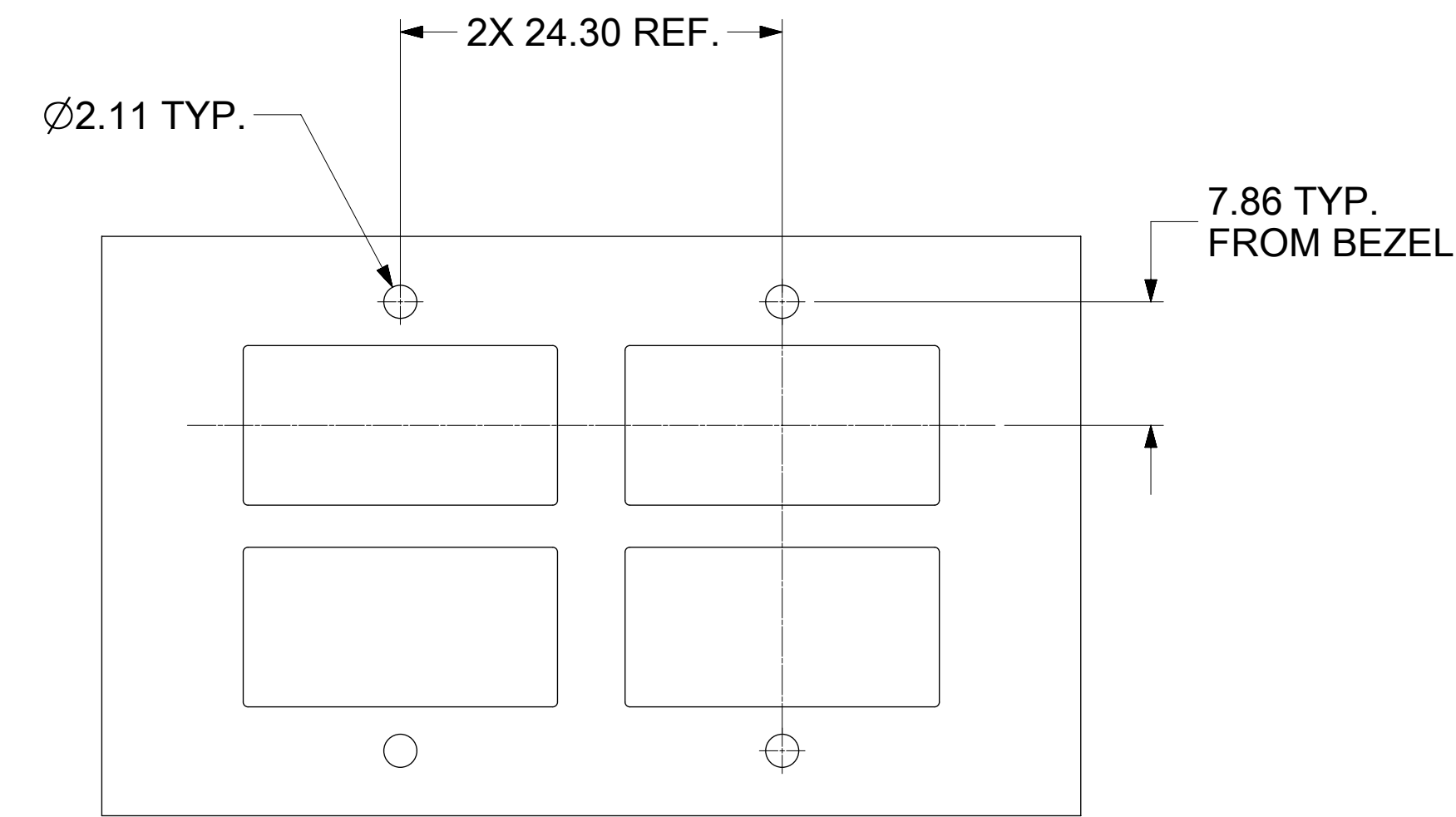
PRODUCT CUSTOMER DRAWING

| | | | |
|-----------------|----------|----------|----------|
| DOCUMENT NUMBER | DOC TYPE | DOC PART | REVISION |
| 747503022 | PSD | ASY | A |

BEZEL LIGHT PIPE CUTOUT POSITION DIMENSIONS FOR SINGLE SIDE MOUNTING



BEZEL LIGHT PIPE CUTOUT POSITION DIMENSIONS FOR BELLY-TO-BELLY MOUNTING



NOTE:
1. PCB THICKNESS VARIATION MUST BE CONSIDERED WHEN DETERMINING BEZEL OPENING, SIZE, AND LOCATION.

| | | | | | | | | | | | | |
|---|--|-------|--|------------------------|--|------------|--------|--|----------|--------------|--------------|----------|
| THIS DRAWING CONTAINS INFORMATION THAT IS PROPRIETARY TO MOLEX ELECTRONIC TECHNOLOGIES, LLC AND SHOULD NOT BE USED WITHOUT WRITTEN PERMISSION | | | | | | | | | | | | |
| DIMENSION UNITS | | SCALE | | CURRENT REV DESC: | | | | | | molex | | |
| mm | | 2.5:1 | | | | | | | | | | |
| GENERAL TOLERANCES (UNLESS SPECIFIED) | | | | EC NO: 712623 | | 2022/05/27 | | W / ELASTOMERIC GASKET, SUS INNER SPRING FINGER (ROUND & SQUARE) PRODUCT CUSTOMER DRAWING | | | | |
| ANGULAR TOL ± 1.0° | | | | DRWN: PKH | | 2022/06/29 | | | | | | |
| 4 PLACES ± | | | | CHK'D: DKUMARG | | 2022/07/07 | | DOCUMENT NUMBER | | | | |
| 3 PLACES ± | | | | APPR: SCHIEN | | 2022/07/07 | | 747503022 | | DOC TYPE | DOC PART | REVISION |
| 2 PLACES ± 0.13 | | | | INITIAL REVISION: | | | | PSD | ASY | A | | |
| 1 PLACE ± 0.25 | | | | DRWN: PKH | | 2022/05/27 | | MATERIAL NUMBER | CUSTOMER | | SHEET NUMBER | |
| 0 PLACES ± | | | | APPR: SCHIEN | | 2022/07/07 | | SEE SHEET 4 | | | 8 OF 9 | |
| DRAFT WHERE APPLICABLE MUST REMAIN WITHIN DIMENSIONS | | | | THIRD ANGLE PROJECTION | | DRAWING | SERIES | MATERIAL NUMBER | CUSTOMER | | SHEET NUMBER | |
| | | | | | | D-SIZE | 74750 | SEE SHEET 4 | | | 8 OF 9 | |

