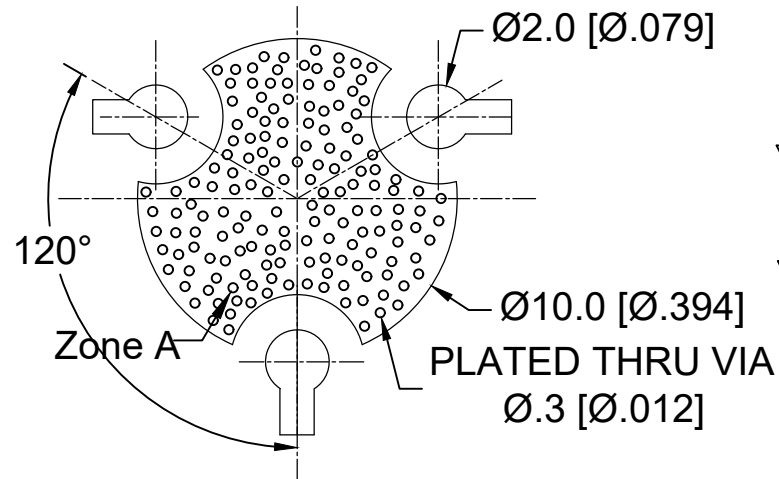
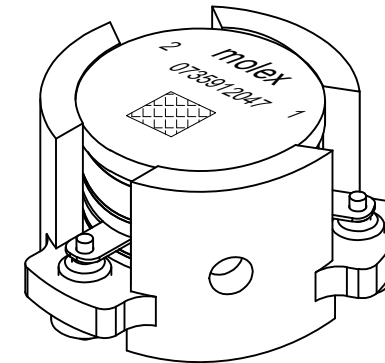
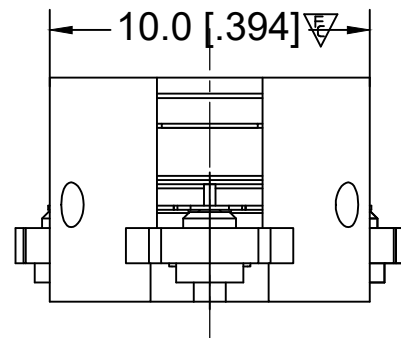
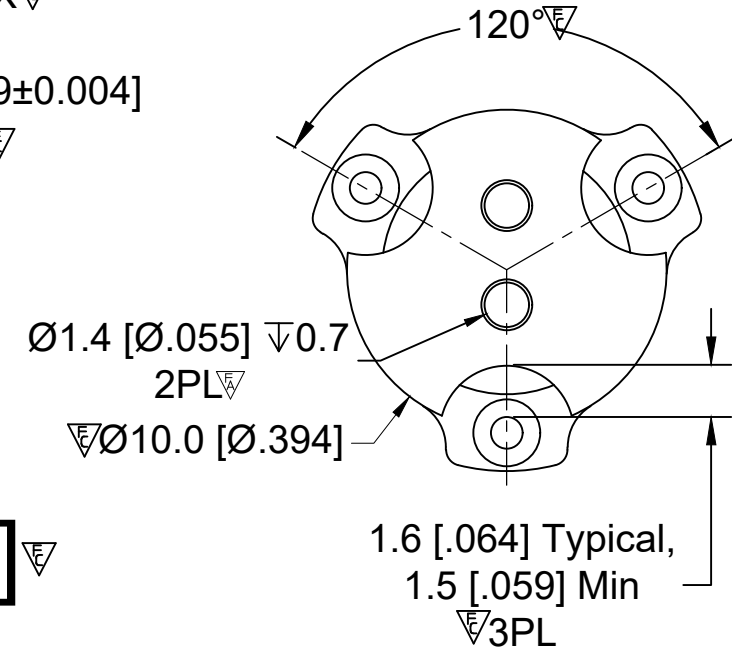
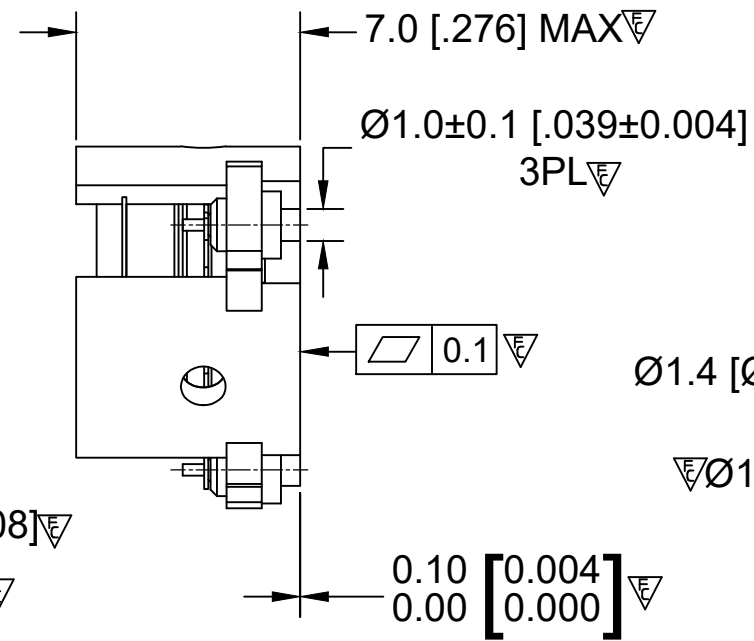
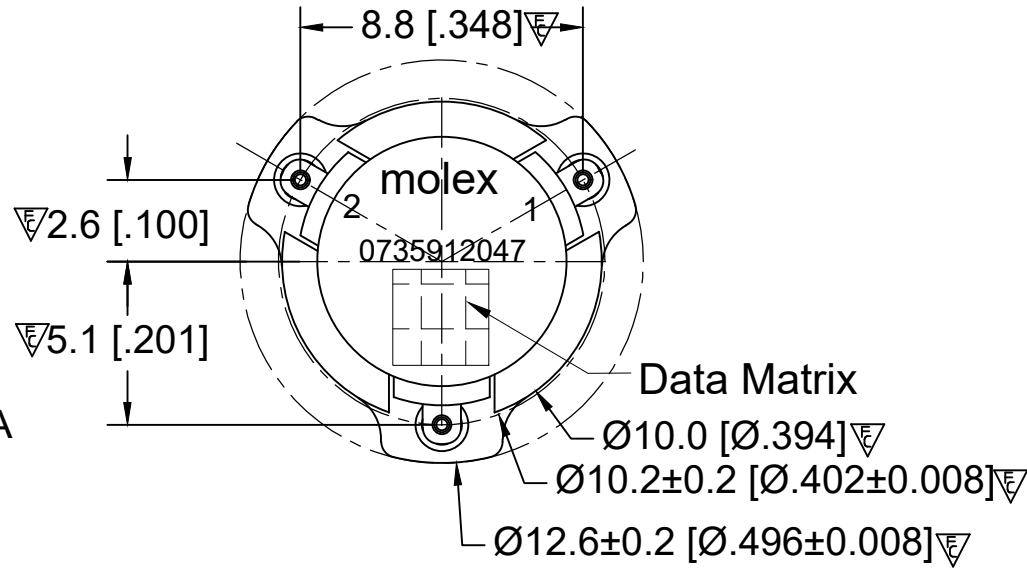


**RECOMMENDED LAND PATTERN :**

Zone A must be attached to heat sink. Thermal conductivity of intermediate layers between Zone A and heat sink must be better than 0.1 W / [°C x mm].



PCB Material :Rogers RO4350B,0.508mm thickness  
 trace width 1.07mm wide.



BODY: CARBON STEEL, SILVER PLATED  
 RIGID PINS: COPPER, SILVER PLATED

**NOTES:**

- 1.STANDARD INPUT/OUTPUT IMPEDANCE 50 Ohm
- 2.LEAD FREE, NO Nd MATERIAL, BeO FREE
- 3.THE DIMENSION OF DATE MATRIX IS 3X3MM INFORMATION INCLUDING WORK ORDER NUMBER-SERIAL NUMBER-MATERIAL NUMBER
- 4.THIS PART COMPLIES WITH ALL RoHS REQUIREMENTS

**ELECTRICAL SPECIFICATION :**

Frequency Range : 2496~2690 MHz  
 Insertion Loss : 0.35 dB max  
 Isolation : 20 dB min  
 Return Loss : 20 dB min  
 IMD3(2x5 W, 1 MHz space) : -60dBc max  
 Input Power: : 50W  
 Peak Power: : 200W  
 Operating Temperature : -40°C to +105°C  
 Storage Temperature : -40°C to +125°C  
 Direction : CCW

**ENG PART#:812-249-269-VP040**

THIS DRAWING CONTAINS INFORMATION THAT IS PROPRIETARY TO MOLEX ELECTRONIC TECHNOLOGIES, LLC AND SHOULD NOT BE USED WITHOUT WRITTEN PERMISSION										
FUNCTIONAL SYMBOLS	DIMENSION UNITS	SCALE	CURRENT REV DESC:							
∇A=0	MM	1:1	RELEASE TO PROD							
∇E=0	GENERAL TOLERANCES (UNLESS SPECIFIED)		EC NO: 696580							
∇P=0			DRWN: SREN05 2022/02/21							
DIVISIONAL SYMBOLS			CHK'D: JLI252 2022/02/23							
			APPR: HWANG186 2022/03/01							
			INITIAL REVISION:							
			DRWN: SREN05 2021/11/15							
			APPR: HWANG186 2022/03/01							
			ANGULAR TOL ± 1.5 °							
			DRAFT WHERE APPLICABLE MUST REMAIN WITHIN DIMENSIONS							
			THIRD ANGLE PROJECTION		DRAWING		SERIES		MATERIAL NUMBER	
			A3-SIZE		73591		0735912047		CUSTOMER	
									SHEET NUMBER	
									1 OF 1	