



VSU Series

◆ **Standard Ratings**

| Rated Voltage (Vdc) | Rated Capacitance (μF) | Case Size ΦD×L (mm) | ESR 100~300KHz (mΩ max) | Rated Ripple Current 105°C,100KHz (mArms max) | Tan δ max | Leakage Current (μA max) | Part Number |
|---------------------|------------------------|---------------------|-------------------------|---|-----------|--------------------------|-----------------|
| 2.5(0E) | 330 | 5×5.7 | 12 | 3860 | 0.12 | 300 | VSU0E331MCB0557 |
| | 390 | 5×5.7 | 10 | 3650 | 0.12 | 300 | VSU0E391MCB0557 |
| | 390 | 6.3×5.7 | 10 | 3650 | 0.12 | 300 | VSU0E391MCB6357 |
| 6.3(0J) | 330 | 6.3×5.7 | 10 | 3900 | 0.12 | 623 | VSU0J331MCB6357 |
| | 390 | 8×6.7 | 9 | 4500 | 0.12 | 737 | VSU0J391MCB0867 |



PART NUMBER SYSTEM

◆ RADIAL LEAD TYPE

| Series | Rated Voltage | Capacitance | Tolerance | Lead Forming Type | Lead Length | Case Dimension | Special Request |
|--|---|--|--------------------------|--------------------------|--------------------------|---|---|
| (1) | (2) | (3) | (4) | (5) | (6) | (7) | (8) |
| <input type="checkbox"/> <input type="checkbox"/> <input type="checkbox"/> | <input type="checkbox"/> <input type="checkbox"/> | <input type="checkbox"/> <input type="checkbox"/> <input type="checkbox"/> | <input type="checkbox"/> | <input type="checkbox"/> | <input type="checkbox"/> | <input type="checkbox"/> <input type="checkbox"/> <input type="checkbox"/> <input type="checkbox"/> | <input type="checkbox"/> <input type="checkbox"/> <input type="checkbox"/> <input type="checkbox"/> <input type="checkbox"/> <input type="checkbox"/> |

(1) Series

| Series | DIP | UPS | UPR | UUL | UPE | URP | URH | UGP | UGV | UGS | UPC |
|--------|-----|-----|-----|-----|-----|-----|-----|-----|-----|-----|-----|
| | SMD | VSG | VSP | VSU | VSE | | | | | | |

(2) Rated Voltage

| Code | 0E | 0J | 6K | 7H | 1A | 1B | AG | 1C | 1D | 1P | 1E | 1F | 1V | 1H | 1J | 2A |
|------|-----|-----|-----|-----|----|----|----|----|----|----|----|----|----|----|----|-----|
| WV | 2.5 | 6.3 | 6.8 | 7.5 | 10 | 12 | 14 | 16 | 20 | 22 | 25 | 30 | 35 | 50 | 63 | 100 |

(3) Capacitance

| Code | 6R8 | 100 | 180 | 560 | 101 | 181 | 561 | 102 | 182 |
|------|-----|-----|-----|-----|-----|-----|-----|------|------|
| μF | 6.8 | 10 | 18 | 56 | 100 | 180 | 560 | 1000 | 1800 |

(4) Capacitance Tolerance

| Code | J | Q | R | K | V | M | H |
|------|-----|-----------|----------|------|-----------|------|----------|
| % | ± 5 | +30 / -10 | +20 / -0 | ± 10 | +20 / -10 | ± 20 | +20 / -5 |

(5) Lead Type

| Code | C | P |
|-------------|---------|--------|
| Description | Cutting | Taping |
| Drawing | Fig 1 | Fig 2 |

(6) Lead Length (Cut / Formed lead)

| Code | 3 | 4 | U | 7 | D | X | R | B | E | G | 2 | M | T | N |
|-----------|------|-----|-----|------|---|-----|-----|------|-----|-----|-----------|-----|-----|-----------|
| Length | 3.5 | 4.5 | 5.5 | 7 | 4 | 2.3 | 2.5 | 2.8 | 3.1 | 3.3 | 2.5 | 3.5 | 3.8 | +20mm min |
| Tolerance | ±0.5 | | | ±0.2 | | | | ±0.3 | | | -15mm min | | | |

Taping Code

| Code | Z | 2 | 3 | 7 | 5 | S |
|----------------------|-----|-----|-----|-----|-----|-----|
| Lead Pitch:+0.8/-0.2 | 2.0 | 2.5 | 3.5 | 3.5 | 5.0 | 5.0 |

(7) Case Dimension

| DIP Code | 0508 | 6305 | 6308 | 6311 | 0807 | 0808 | 0811 | 0816 | 0820 | 1012 | 1016 | 1020 |
|----------|-------|---------|---------|---------|-------|-------|-------|--------|--------|---------|-------|-------|
| Size | 5×8 | 6.3×5 | 6.3×8 | 6.3×11 | 8×7 | 8×8 | 8×11 | 8×16 | 8×20 | 10×12 | 10×16 | 10×20 |
| SMD Code | 0557 | 6343 | 6357 | 6377 | 6309 | 0867 | 0897 | 08C7 | 1077 | 10C4 | | |
| Size | 5×5.7 | 6.3×4.3 | 6.3×5.7 | 6.3×7.7 | 6.3×9 | 8×6.7 | 8×9.7 | 8×12.7 | 10×7.7 | 10×12.4 | | |

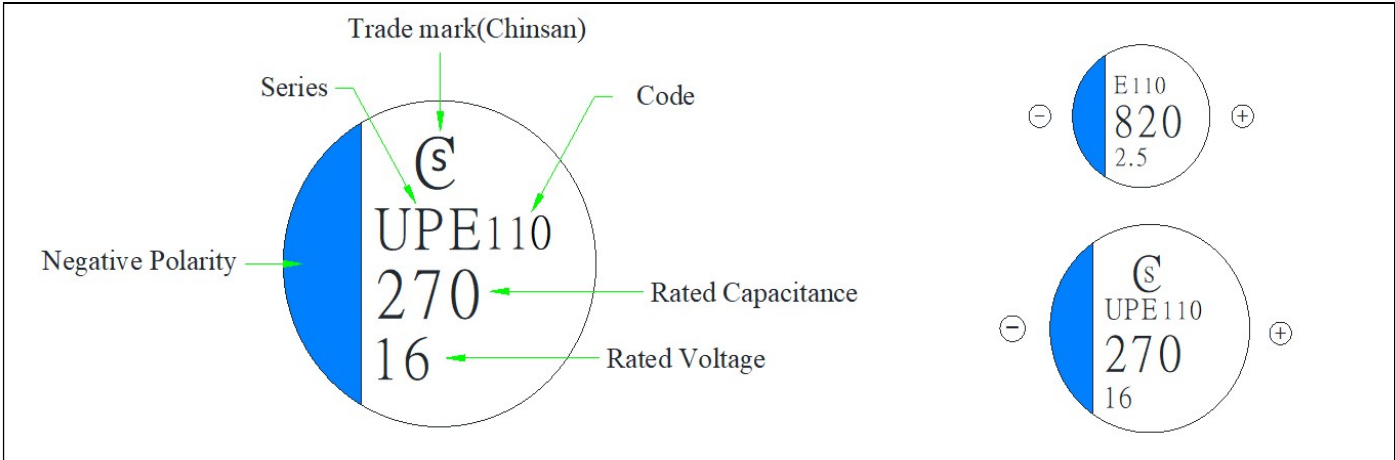
(8) Special Request

| Code | R | F | L | D |
|-------------|---------------------------|-----------|---------------------|------------------------|
| Description | High Rated ripple current | Endurance | Low Leakage Current | Low Dissipation Factor |
| Code | U | E | --- | --- |
| Description | Convex Rubber | Low ESR | --- | --- |

CONDUCTIVE POLYMER ALUMINUM SOLID CAPACITORS

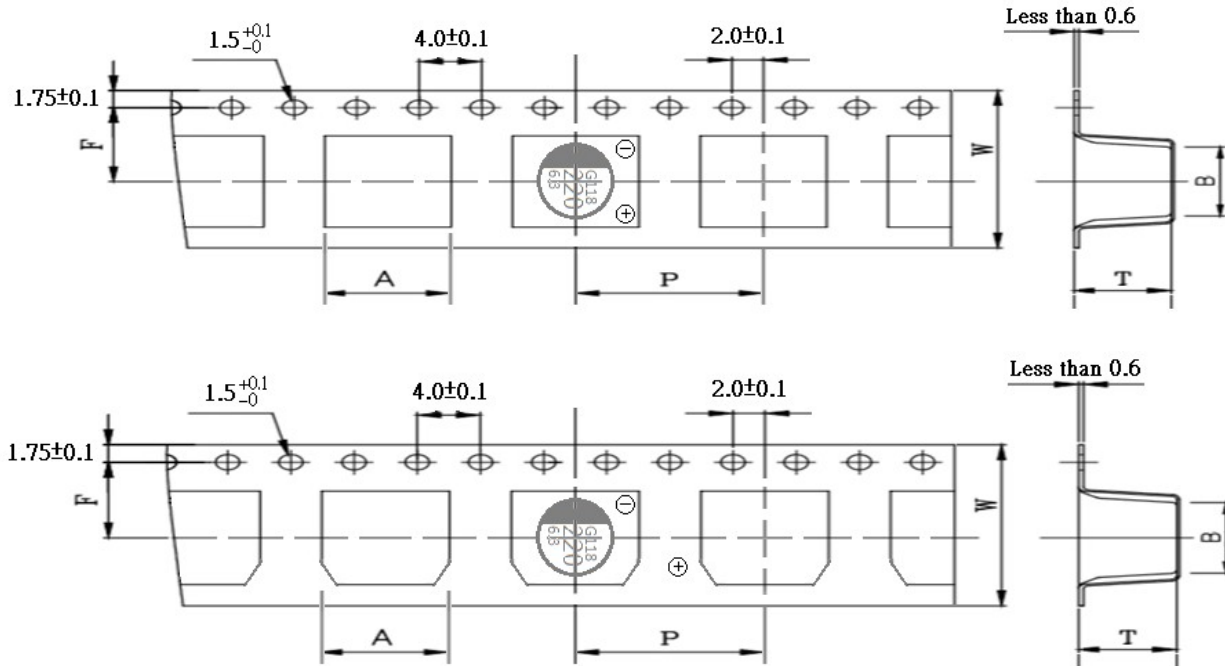


◆ MARKING AND DATE CODE



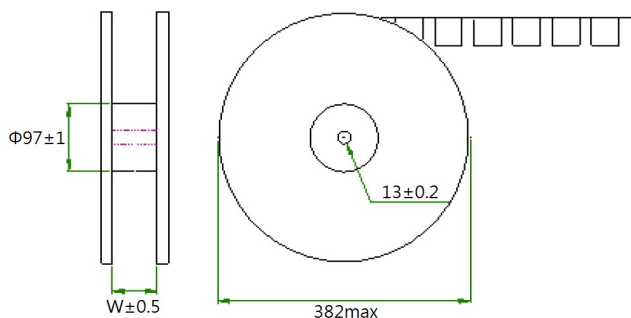
| Trade Mark "CS" | Chinsan Solid Capacitor, Show on Dimension $\geq 8 \Phi$ | | | | | | | | | | | | | | | | | | | | | | | | | | | | | | | | | | | | | | | | | | | | | | | | | | | | | | | | | |
|--|--|-----------------|----------------|---|----------------|------|-----|-----|-----|-----|------|----------------|-----------------|----------------|-----------------|----------------|------------------------|----|---|---|---|----|---|-------|-----|-----|-----|-----|-----|-----|------|-----------------------|-----|----|----|-----|----|-------|------|-----|-----|-----|-----|-----|------|----|---|---|---|---|---|------|------|------|------|------|------|------|
| Code (Date Code) (1) (2) (3) <table border="1" style="margin-left: 20px;"> <tr> <td style="width: 20px; height: 20px; text-align: center;">1</td> <td style="width: 20px; height: 20px; text-align: center;">1</td> <td style="width: 20px; height: 20px; text-align: center;">0</td> </tr> </table> | 1 | 1 | 0 | (1)DAY <table border="1" style="width: 100%; text-align: center;"> <tr> <th>Code</th> <th>1</th> <th>2</th> <th>3</th> <th>4</th> <th>5</th> </tr> <tr> <th>Week</th> <td>The first week</td> <td>The second week</td> <td>The third week</td> <td>The fourth week</td> <td>The fifth week</td> </tr> </table> (2)Month <table border="1" style="width: 100%; text-align: center;"> <tr> <th>Code</th> <th>1</th> <th>2</th> <th>3</th> <th>4</th> <th>5</th> <th>6</th> </tr> <tr> <th>Month</th> <td>Jan</td> <td>Feb</td> <td>Mar</td> <td>Apr</td> <td>May</td> <td>Jun</td> </tr> <tr> <th>Code</th> <th>7</th> <th>8</th> <th>9</th> <th>X</th> <th>Y</th> <th>Z</th> </tr> <tr> <th>Month</th> <td>July</td> <td>Aug</td> <td>Sep</td> <td>Oct</td> <td>Nov</td> <td>Dec</td> </tr> </table> (3)Year <table border="1" style="width: 100%; text-align: center;"> <tr> <th>Code</th> <th>9</th> <th>0</th> <th>1</th> <th>2</th> <th>3</th> <th>4</th> </tr> <tr> <th>Year</th> <td>2019</td> <td>2020</td> <td>2021</td> <td>2022</td> <td>2023</td> <td>2024</td> </tr> </table> | Code | 1 | 2 | 3 | 4 | 5 | Week | The first week | The second week | The third week | The fourth week | The fifth week | Code | 1 | 2 | 3 | 4 | 5 | 6 | Month | Jan | Feb | Mar | Apr | May | Jun | Code | 7 | 8 | 9 | X | Y | Z | Month | July | Aug | Sep | Oct | Nov | Dec | Code | 9 | 0 | 1 | 2 | 3 | 4 | Year | 2019 | 2020 | 2021 | 2022 | 2023 | 2024 |
| 1 | 1 | 0 | | | | | | | | | | | | | | | | | | | | | | | | | | | | | | | | | | | | | | | | | | | | | | | | | | | | | | | | |
| Code | 1 | 2 | 3 | 4 | 5 | | | | | | | | | | | | | | | | | | | | | | | | | | | | | | | | | | | | | | | | | | | | | | | | | | | | | |
| Week | The first week | The second week | The third week | The fourth week | The fifth week | | | | | | | | | | | | | | | | | | | | | | | | | | | | | | | | | | | | | | | | | | | | | | | | | | | | | |
| Code | 1 | 2 | 3 | 4 | 5 | 6 | | | | | | | | | | | | | | | | | | | | | | | | | | | | | | | | | | | | | | | | | | | | | | | | | | | | |
| Month | Jan | Feb | Mar | Apr | May | Jun | | | | | | | | | | | | | | | | | | | | | | | | | | | | | | | | | | | | | | | | | | | | | | | | | | | | |
| Code | 7 | 8 | 9 | X | Y | Z | | | | | | | | | | | | | | | | | | | | | | | | | | | | | | | | | | | | | | | | | | | | | | | | | | | | |
| Month | July | Aug | Sep | Oct | Nov | Dec | | | | | | | | | | | | | | | | | | | | | | | | | | | | | | | | | | | | | | | | | | | | | | | | | | | | |
| Code | 9 | 0 | 1 | 2 | 3 | 4 | | | | | | | | | | | | | | | | | | | | | | | | | | | | | | | | | | | | | | | | | | | | | | | | | | | | |
| Year | 2019 | 2020 | 2021 | 2022 | 2023 | 2024 | | | | | | | | | | | | | | | | | | | | | | | | | | | | | | | | | | | | | | | | | | | | | | | | | | | | |
| Series (Print Code) | <table border="1" style="width: 100%; text-align: center;"> <thead> <tr> <th>Series</th> <th>UPS</th> <th>UPR</th> <th>UUL</th> <th>UPE</th> <th>URP</th> <th>URH</th> <th>UGP</th> <th>UGV</th> <th>UGS</th> <th>UPC</th> <th>VSG</th> <th>VSP</th> <th>VSU</th> <th>VSE</th> </tr> </thead> <tbody> <tr> <td>$\Phi 5 \sim \Phi 6.3$</td> <td>--</td> <td>R</td> <td>L</td> <td>E</td> <td>--</td> <td>H</td> <td>P</td> <td>V</td> <td>--</td> <td>C</td> <td>G</td> <td>P</td> <td>U</td> <td>E</td> </tr> <tr> <td>$\Phi 8 \sim \Phi 10$</td> <td>UPS</td> <td>--</td> <td>UL</td> <td>UPE</td> <td>RP</td> <td>RH</td> <td>GP</td> <td>GV</td> <td>GS</td> <td>UPC</td> <td>SG</td> <td>SP</td> <td>SU</td> <td>SE</td> </tr> </tbody> </table> | Series | UPS | UPR | UUL | UPE | URP | URH | UGP | UGV | UGS | UPC | VSG | VSP | VSU | VSE | $\Phi 5 \sim \Phi 6.3$ | -- | R | L | E | -- | H | P | V | -- | C | G | P | U | E | $\Phi 8 \sim \Phi 10$ | UPS | -- | UL | UPE | RP | RH | GP | GV | GS | UPC | SG | SP | SU | SE | | | | | | | | | | | | |
| Series | UPS | UPR | UUL | UPE | URP | URH | UGP | UGV | UGS | UPC | VSG | VSP | VSU | VSE | | | | | | | | | | | | | | | | | | | | | | | | | | | | | | | | | | | | | | | | | | | | |
| $\Phi 5 \sim \Phi 6.3$ | -- | R | L | E | -- | H | P | V | -- | C | G | P | U | E | | | | | | | | | | | | | | | | | | | | | | | | | | | | | | | | | | | | | | | | | | | | |
| $\Phi 8 \sim \Phi 10$ | UPS | -- | UL | UPE | RP | RH | GP | GV | GS | UPC | SG | SP | SU | SE | | | | | | | | | | | | | | | | | | | | | | | | | | | | | | | | | | | | | | | | | | | | |

SMD CARRIER TAPE DIMENSIONS



| Dimension Code | Item | W | A | B | F | P | T |
|----------------|------|------|------|------|------|------|------|
| | | ±0.3 | ±0.2 | ±0.2 | ±0.1 | ±0.1 | ±0.2 |
| 5057 (5x5.7) | | 16 | 5.6 | 5.6 | 7.5 | 12 | 6.2 |
| 6343 (6.3x4.3) | | 16 | 7.0 | 7.0 | 7.5 | 12 | 4.7 |
| 6357 (6.3x5.7) | | 16 | 7.0 | 7.0 | 7.5 | 12 | 6.2 |
| 6377 (6.3x7.7) | | 16 | 7.0 | 7.0 | 7.5 | 12 | 8.2 |
| 6309 (6.3x9) | | 16 | 7.0 | 7.0 | 7.5 | 12 | 10.0 |
| 0867 (8x6.7) | | 24 | 8.7 | 8.7 | 11.5 | 12 | 7.2 |
| 0897 (8x9.7) | | 24 | 8.7 | 8.7 | 11.5 | 16 | 10.3 |
| 08C7 (8x12.7) | | 24 | 8.7 | 8.7 | 11.5 | 16 | 13.2 |
| 1077 (10x7.7) | | 24 | 10.7 | 10.7 | 11.5 | 16 | 8.3 |
| 10C4 (10x12.4) | | 24 | 10.7 | 10.7 | 11.5 | 16 | 13.0 |

◆ SMD REEL DIMENSIONS AND PACKING QUANTITY



| Case Code | Quantity per reel | Quantity per Box※ | W |
|-----------|-------------------|-------------------|------|
| 5057 | 1200 | 12000 | 17.5 |
| 6343 | 1500 | 15000 | |
| 6357 | 1200 | 12000 | |
| 6377 | 1000 | 10000 | |
| 6309 | 800 | 8000 | |
| 0867 | 1000 | 7000 | 25.3 |
| 0897 | 500 | 3500 | |
| 08C7 | 400 | 2800 | |
| 1077 | 500 | 3500 | |
| 10C4 | 400 | 2800 | |

※ This may change according to a delivered quantity