

ALUMINUM ELECTROLYTIC CAPACITORS



Premium Grade Type, For Audio Equipment



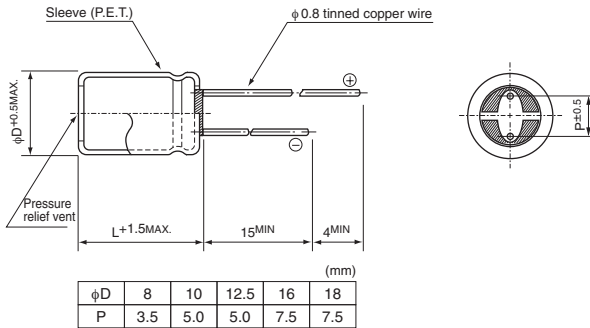
- Premium grade “nichicon MUSE” acoustic series.
- Ideally suited for first class audio equipment where qualitative and quantitative comfortableness is required.
- Compliant to the RoHS directive (2011/65/EU,(EU)2015/863).



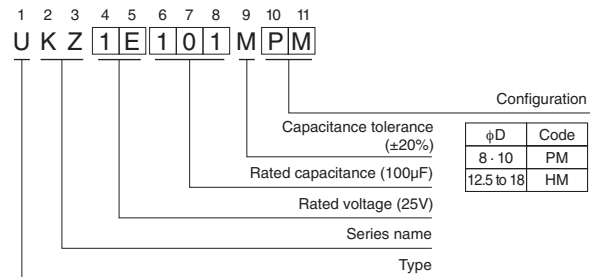
Specifications

Item	Performance Characteristics			
Category Temperature Range	-40 to +85°C			
Rated Voltage Range	25 to 100V			
Rated Capacitance Range	10 to 1000µF			
Capacitance Tolerance	±20% at 120Hz, 20°C			
Leakage Current	After 1 minute's application of rated voltage at 20°C, leakage current is 0.01CV or less.			
Tangent of loss angle (tan δ)	Measurement frequency : 120Hz at 20°C			
	Rated voltage (V)	25	50	100
	tan δ (MAX.)	0.12	0.08	0.07
Stability at Low Temperature	Measurement frequency : 120Hz			
	Rated voltage (V)	25	50	100
	Impedance ratio (MAX.)	Z-25°C / Z+20°C	Z-40°C / Z+20°C	Z-25°C / Z+20°C
		2	4	2
		2	3	3
Endurance	The specifications listed at right shall be met when the capacitors are restored to 20°C after the rated voltage is applied for 1000 hours at 85°C.			
	Capacitance change	Within ±20% of the initial capacitance value		
	tan δ	150% or less than the initial specified value		
Shelf Life	After storing the capacitors under no load at 85°C for 1000 hours and then performing voltage treatment based on JIS C 5101-4 clause 4.1 at 20°C, they shall meet the specified values for the endurance characteristics listed above.			
	Leakage Current	Less than or equal to the initial specified value		
Marking	Printed with gold color letter on black sleeve.			

Radial Lead Type



Type numbering system (Example : 25V 100µF)



• Please refer to page 18 about the end seal configuration.

• Dimension table in next page.

UKZ

■ Dimensions

Rated Voltage (V) (code)	Rated Capacitance (μ F)	Case Size ϕ D \times L (mm)	$\tan \delta$	Leakage Current (μ A) (at 20°C after 1 minute)	Part Number
25 (1E)	33	8 \times 11.5	0.12	8.25	UKZ1E330MPM
	47	10 \times 12.5	0.12	11.75	UKZ1E470MPM
	100	10 \times 16	0.12	25	UKZ1E101MPM
	220	12.5 \times 20	0.12	55	UKZ1E221MHH
	330	12.5 \times 25	0.12	82.5	UKZ1E331MHH
	470	16 \times 25	0.12	117.5	UKZ1E471MHH
	1000	16 \times 35.5	0.12	250	UKZ1E102MHH
50 (1H)	22	8 \times 11.5	0.08	11	UKZ1H220MPM
	33	10 \times 12.5	0.08	16.5	UKZ1H330MPM
	47	10 \times 16	0.08	23.5	UKZ1H470MPM
	100	12.5 \times 20	0.08	50	UKZ1H101MHH
	220	16 \times 25	0.08	110	UKZ1H221MHH
	330	16 \times 31.5	0.08	165	UKZ1H331MHH
	470	16 \times 35.5	0.08	235	UKZ1H471MHH
	1000	18 \times 40	0.08	500	UKZ1H102MHH
100 (2A)	10	8 \times 11.5	0.07	10	UKZ2A100MPM
	22	10 \times 16	0.07	22	UKZ2A220MPM
	33	10 \times 20	0.07	33	UKZ2A330MPM
	47	12.5 \times 20	0.07	47	UKZ2A470MHH
	100	16 \times 25	0.07	100	UKZ2A101MHH
	220	16 \times 35.5	0.07	220	UKZ2A221MHH
	330	18 \times 35.5	0.07	330	UKZ2A331MHH

For cut leads, formed leads or taped parts, please add the appropriate code after the size code (12th digit).
If there is no size code in the part number, please add size code "1" and then add the appropriate code.

Please refer to page 18, 19 about the formed or taped product spec.
Please refer to page 4 for the minimum order quantity.