

# VDSL Over POTS

## ITU-T & GR-1089-CORE Solution

### Solution Products



TBU-CA085-500-WH



2020-42T-C2FLF



B1250T

### Design Kit



PN-DESIGNKIT-43

### Objective

VDSL circuits are sometimes combined with Plain Old Telephone Service (POTS) circuits. This solution protects those communication ports against surge and power contact threats.

### Solution

- 2 TBU<sup>®</sup> High-Speed Protectors:  
TBU-CA085-500-WH
- 1 GDT: 2020-42T-C2FLF
- 2 Telefuse™ Telecom Fuses: B1250T

### Compliance

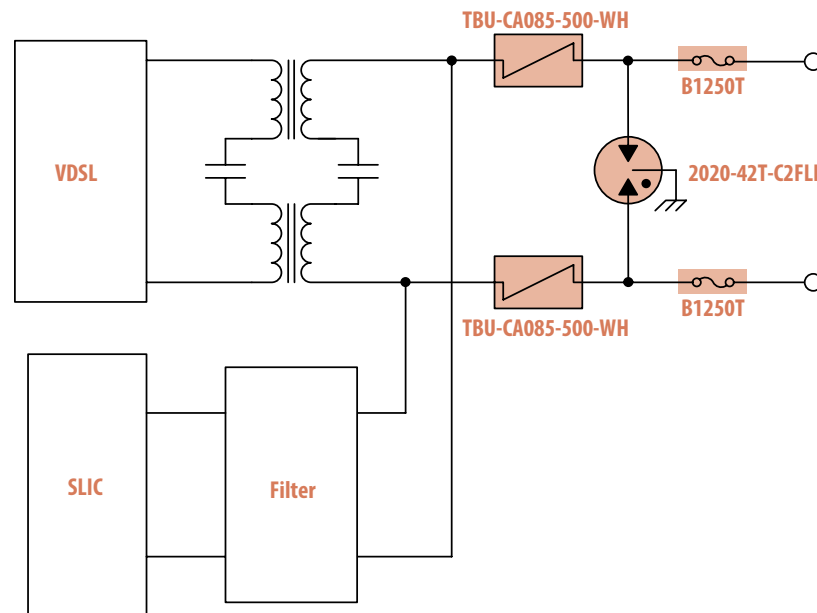
- ITU-T K.20, K.45, K.21 (Enhanced)
  - 6 kV 10/700  $\mu$ s Lightning Surge
  - 600 V<sub>rms</sub> Power Induction
  - 230 V<sub>rms</sub> Power Contact
- GR-1089-CORE Issue 6

### Alternate Recommendations

*Variations of this circuit are available depending on specific design constraints; contact your local Bourns technical representative for more information.*

### Benefit

This solution provides protection to the voice and data circuits without impairing the VDSL 30 MHz signal.



*The schematic above illustrates the application protection and does not constitute the complete circuit design. Customers should verify actual device performance in their specific applications.*