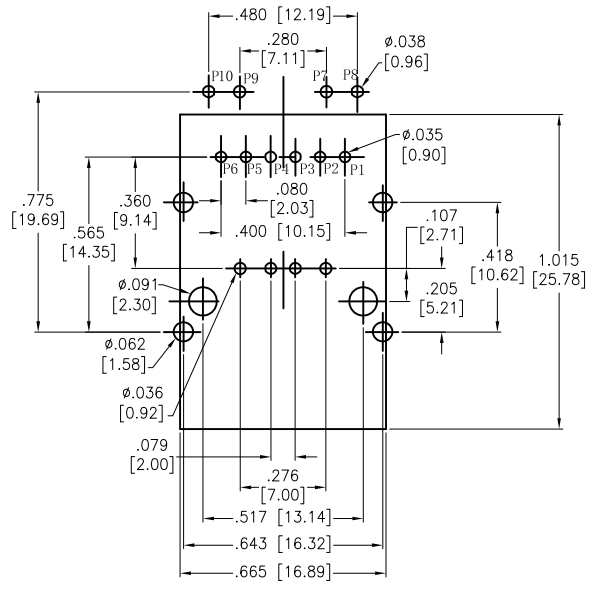
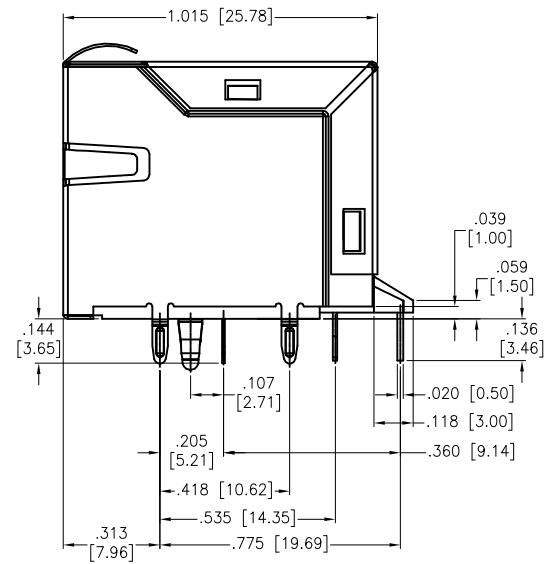
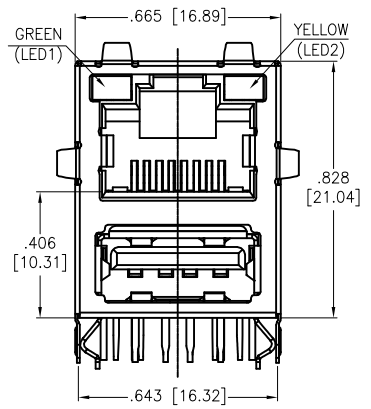
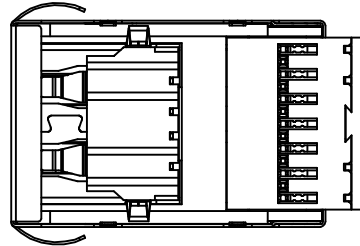


APPROVED: \_\_\_\_\_  
 DATE: \_\_\_\_\_ TITLE: \_\_\_\_\_

Rev	AWO #	Description	Date	Appr
-		RELEASED	11/12/18	



RECOMMENDED PCB LAYOUT



**SPECIFICATIONS:**  
 Material:  
 Housing: PA66, rated UL 94V-0, Color: Black  
 Insert: PBT, rated UL 94V-0, Color: Black  
 Contacts: Copper Alloy  
 Shield: Brass, Nickel plated  
 Plating:  
 Round contact  
 Gold over Nickel underplate overall  
 Flat contact  
 Gold over Nickel underplate on contact area,  
 Tin over Nickel underplate on solder tails  
 Electrical:  
 RJ45:  
 Insulation Resistance: 500M ohm Min  
 Dielectric Withstanding Voltage: 1500VAC or 2250VDC  
 USB:  
 Contact Current Rating: 1.5A Max  
 Contact Resistance: 30m ohm Max  
 Insulation Resistance: 1000M ohm Min  
 Temperature Rating:  
 Operating temperature: 0°C to +70°C  
 Environmental:  
 Lead free, RoHS compliant.



UNLESS OTHERWISE SPECIFIED  
 ALL DIMENSIONS ARE INCHES [MM]  
 TOLERANCES: EXCEPT AS NOTED  
 INCHES HOLES

.X ± .10	∅.X ± .10
.XX ± .020	∅.XX ± .015
.XXX ± .015	∅.XXX ± .010

APPROVALS		DATE
DRAWN	AY	11/12/18
CHECKED	NL	11/12/18
APPROVED		

**ADAM TECH** INTERCONNECTS

909 Rahway Avenue,  
 Union, NJ 07083  
 Phone: 908-687-5000  
 Fax: 908-687-5710

TITLE: **MODULAR JACK GANGED, 1 PORT, 8P8C  
 RJ45+ USB 2.0 W/LED GREEN & YELLOW**

SIZE	PART NO.	REV.
X	MTJ-USB-88JX1-FS-PG-LH-M41C	-

REF: S00005C SCALE: NTS SHEET 1 OF 2

6

5

4

3

2

1

6

5

4

3

2

1

6

5

4

3

2

1

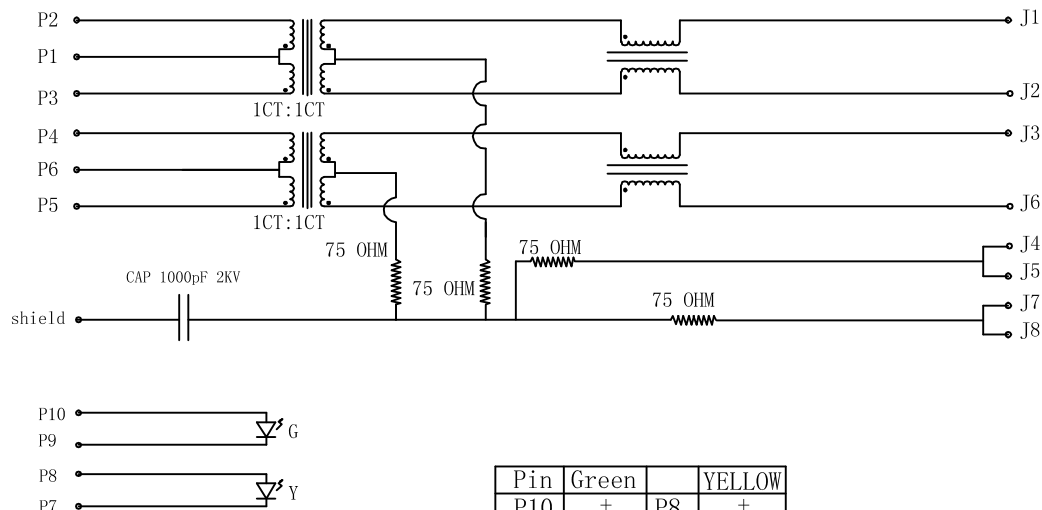
APPROVED: \_\_\_\_\_

DATE: \_\_\_\_\_ TITLE: \_\_\_\_\_

Rev	AWO #	Description	Date	Appr
-----	-------	-------------	------	------

SEE SHT 1 OF 2 FOR REVISION

### Circuit Schematic:



### Electronical Specifications:

- Turn Ratio @100KHz: (P2~P3):(J1~J2) = 1:1±5%  
(P4~P5):(J3~J6) = 1:1±5%
- Primary Inductance: 350uH MIN @100KHZ,0.1V 8mA DC BIAS
- DC Resistance:(J1~J2):(J3~J6) 1.2 OHMS MAX
- Insertion Loss: 1-100MHz -1.2dB MAX
- Return Loss: 1-30MHz -16dB MIN  
30-60MHz -12dB MIN  
60-80MHz -10dB MIN
- CROSS TALK: 1-100MHz -30dB MIN
- COMMON TO COMMON MODE ATTENUATION: 1-100MHz -30dB MIN
- Isolation: PHY Side to Line Side: 1500VAC or 2250VDC

UNLESS OTHERWISE SPECIFIED  
ALL DIMENSIONS ARE INCHES [MM]  
TOLERANCES: EXCEPT AS NOTED  
INCHES HOLES

.X	± .10	∅.X	± .10
.XX	± .020	∅.XX	± .015
.XXX	± .015	∅.XXX	± .010

**ADAM TECH**  
INTERCONNECTS

909 Rahway Avenue,  
Union, NJ 07083  
Phone: 908-687-5000  
Fax: 908-687-5710

TITLE: MODULAR JACK GANGED, 1 PORT, 8P8C  
RJ45+ USB 2.0 W/LED GREEN & YELLOW

APPROVALS		DATE
DRAWN	AY	11/12/18
CHECKED	NL	11/12/18
APPROVED		

SIZE	PART NO.	REV.
X	MTJ-USB-88JX1-FS-PG-LH-M41C	-
REF: S00005C	SCALE: NTS	SHEET 2 OF 2

6

5

4

3

2

1