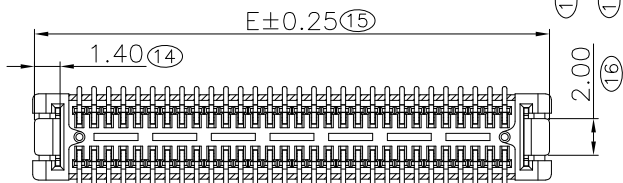
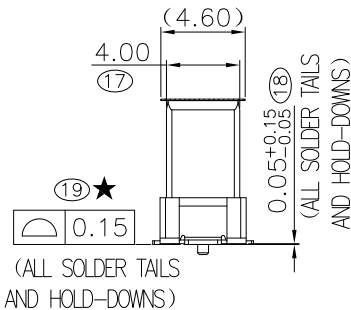
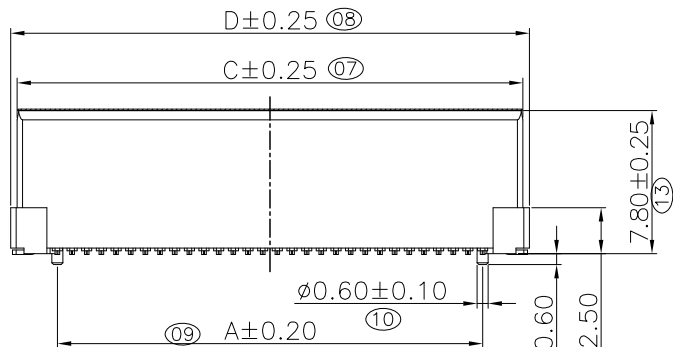
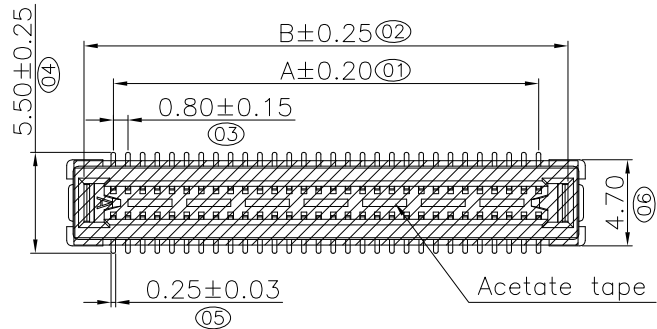


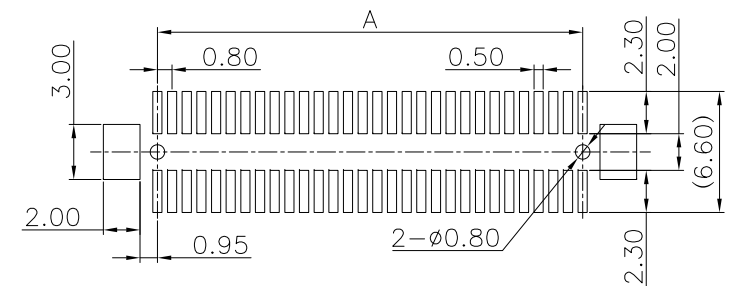
REV.	LOCAS.	DESCRIPTION	DATE	DRAWN
01	NEW	BATCH PRODUCTION INITIAL RELEASE.	2022.05.04	廖昌紅



Pin NO.	A	B	C	D	E
2x30	23.20	26.40	27.60	28.30	28.10
2x40	31.20	34.40	35.60	36.30	36.10

Specifications  
 Current Rating:0.5Amp  
 Insulation Resistance:500MΩMin.  
 Dielectric Withstanding Voltage:250VAC  
 Contact Resistance:100mΩMax.  
 Operating Temperature:-40°C to +105°C  
 Materials  
 Contact Material:Phosphor Bronze  
 Insulator Material:High Temperature Thermoplastic, UL 94V-0 LCP or the equivalent material  
 ☆All materials must meet GREENCONN hazardous substances control standards.  
 "★": Critical Characteristics.  
 indicates product characteristics, functionalities, and manufacturing processes regarding to customer's specifications  
 "☆": Safety Features  
 indicates product characteristics, functionalities, and manufacturing processes complying to legal regulations stated by local government

Recommended P.C.Board Layout  
 (Tolerance:±0.05)



## Ordering Information

C GBC201 - XX XX B 001 C 1 N H

No. of Pins Per Row  
30,40

Standard Plating  
02=Gold Flash  
Selective Plating  
09=3u"AU/Gold Flash

Color  
1=Black

Standard Packing  
H=Acetate tape  
+Tape&Reel



3RD.ANG PROJ.	GENERAL TOLERANCE				
	X.*±5.0°	X.±0.30			
	.X*±3.0°	.X±0.25			
	.XX*±2.0°	.XX±0.15			
REV. 01	UNIT. mm	SCALE. 3:1	PAGE. 1/1	.XXX*±1.0°	.XXX±0.10

DESIGNED:	廖昌紅	DATE:2022.05.04
CHECKED:	黃超	DATE:2022.05.04
APPROVED:	邱國延	DATE:2022.05.04

DWG. NO.	CGBC201-CB1CN
PART NO.	CGBC201-XXXXB001C1NX

TITLE.	0.80mm PITCH BTB FLOATING CONNECTOR
--------	-------------------------------------