

C-SFF8644-8644-2M
SFF-8644 EXTERNAL MINI-SAS HD MALE TO MALE
2M, STORAGE CABLE



C-SFF8644-8644-2M

2m SFF-8644 External Mini-SAS HD Male to Male Storage Cable

Features

- SFF-8644 to SFF-8644 Connectors
- 28AWG Cable
- 2m Length
- Color: Black
- RoHS Compliant



Product Description

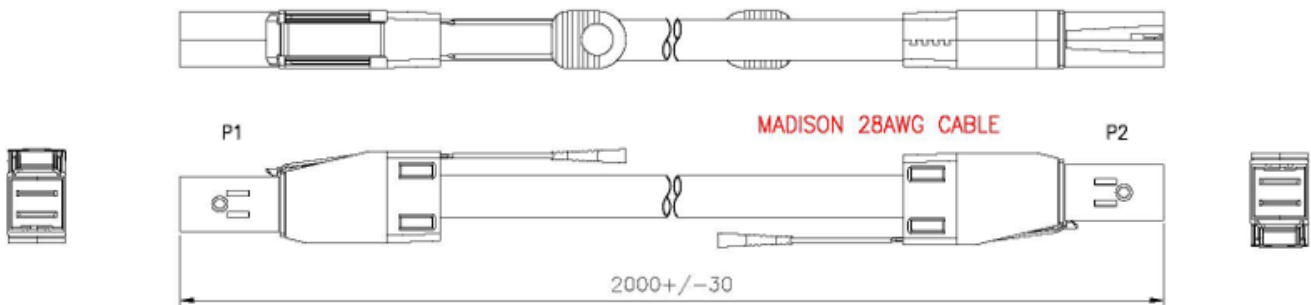
This is a 2.0m (6.6ft) SFF-8644 external mini-SAS HD male to male black storage cable that is used for high speed data transfer. This part is made to industry standard specifications and can be used in many different applications. This storage cable features SFF-8644 to SFF-8644 connectors for connectivity between network appliances. These cables are application tested and guaranteed to work 100% of the time.

ProLabs' storage cables are RoHS compliant and lead free.

Specifications

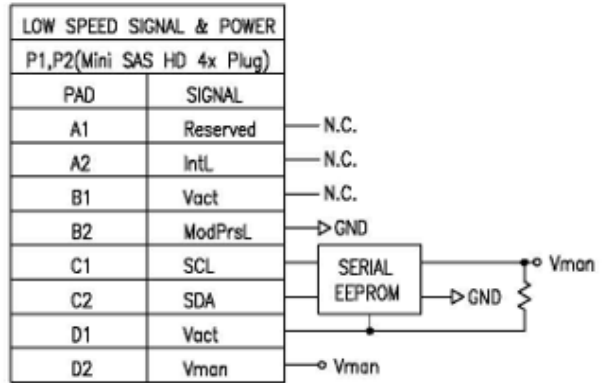
Parameter	Specification
Connectors	SFF-8644
Connector Gender	Male
Family Type	Mini-SAS
Length	2m (6.6ft)
Color	Black
Type	Storage Cable
Cable	
Conductor	28AWG Solid Silver-Plated Copper
Insulation	Foam Polyolefin
Pair	2 singles laid flat and parallel
Core	8 pairs
Pair Drain Wire	30AWG Solid Silver-Plated Copper
Pair Shield	Aluminum/Polyester Tape. Aluminum side facing in, 25% Overlap
Inner Shield	Aluminum/Polyester Tape. Aluminum side facing out, 25% Overlap
Outer Shield	28AWG Tin plated copper braid, 85% coverage
Diameter	7.874mm
Differential Impedance	100±5 OHMS @TDR
UL Listing	Type CL2 as specified in article 725 of the National Electrical Code

Mechanical Specifications



Wiring Diagram

HIGH SPEED SIGNAL			
P1(Mini SAS HD 4x Plug)		P2(Mini SAS HD 4x Plug)	
PIN	SIGNAL	PAD	SIGNAL
A4	RX1+	C4	TX1+
A5	RX1-	C5	TX1-
A7	RX3+	C7	TX3+
A8	RX3-	C8	TX3-
B4	RX0+	D4	TX0+
B5	RX0-	D5	TX0-
B7	RX2+	D7	TX2+
B8	RX2-	D8	TX2-
C4	TX1+	A4	RX1+
C5	TX1-	A5	RX1-
C7	TX3+	A7	RX3+
C8	TX3-	A8	RX3-
D4	TX0+	B4	RX0+
D5	TX0-	B5	RX0-
D7	TX2+	B7	RX2+
D8	TX2-	B8	RX2-
GND GROUP	GND	GND GROUP	GND
GND GROUP 1: P1-A3,A6,A9,B3,B6,B9, P2-C3,C6,C9,D3,D6,D9			
GND GROUP 2: P1-C3,C6,C9,D3,D6,D9, P2-A3,A6,A9,B3,B6,B9			
Connector Shell		Connector Shell	



About ProLabs

Our experience comes as standard; for over 15 years ProLabs has delivered optical connectivity solutions that give our customers freedom and choice through our ability to provide seamless interoperability. At the heart of our company is the ability to provide state-of-the-art optical transport and connectivity solutions that are compatible with over 90 optical switching and transport platforms.

Complete Portfolio of Network Solutions

ProLabs is focused on innovations in optical transport and connectivity. The combination of our knowledge of optics and networking equipment enables ProLabs to be your single source for optical transport and connectivity solutions from 100Mb to 400G while providing innovative solutions that increase network efficiency. We provide the optical connectivity expertise that is compatible with and enhances your switching and transport equipment.

Trusted Partner

Customer service is our number one value. ProLabs has invested in people, labs and manufacturing capacity to ensure that you get immediate answers to your questions and compatible product when needed. With Engineering and Manufacturing offices in the U.K. and U.S. augmented by field offices throughout the U.S., U.K. and Asia, ProLabs is able to be our customers best advocate 24 hours a day.

Contact Information

ProLabs US

Email: sales@prolabs.com

Telephone: 952-852-0252

ProLabs UK

Email: salessupport@prolabs.com

Telephone: +44 1285 719 600