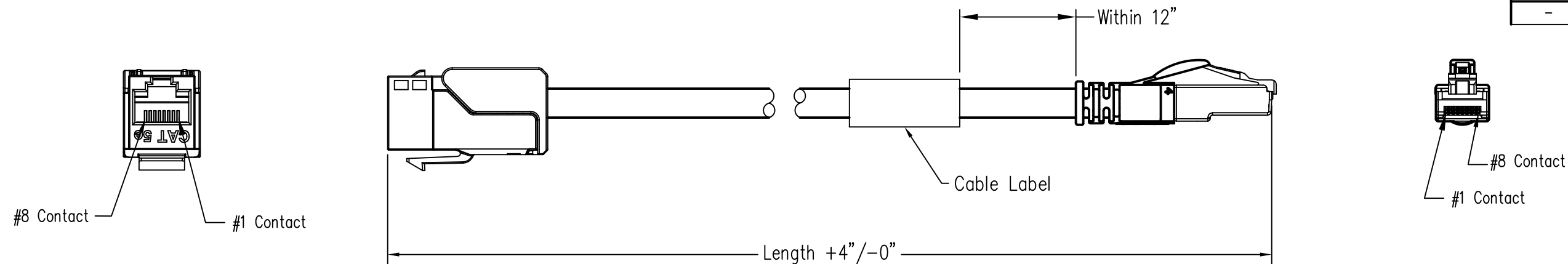


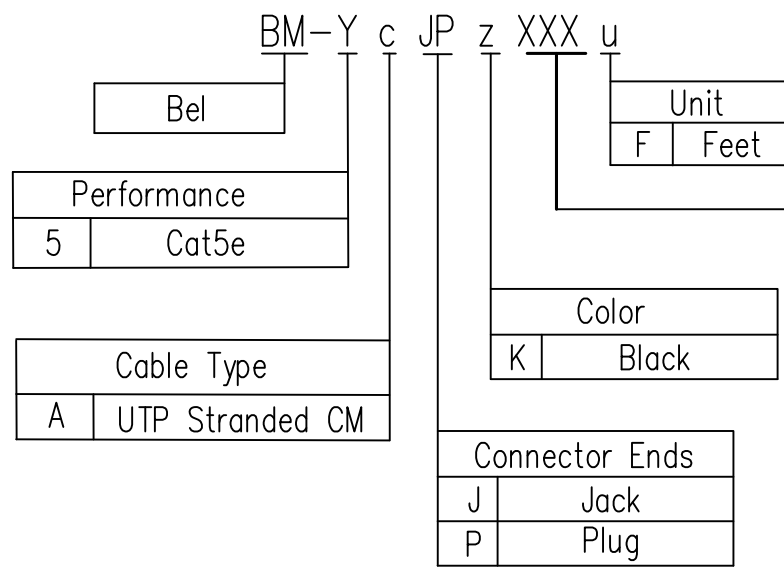
DATE	REV	ECN	APP'D. BY
11/30/20	A0	Released	GWL
-	-	-	-



Notes:

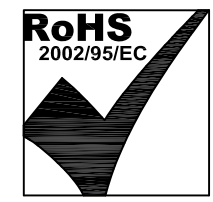
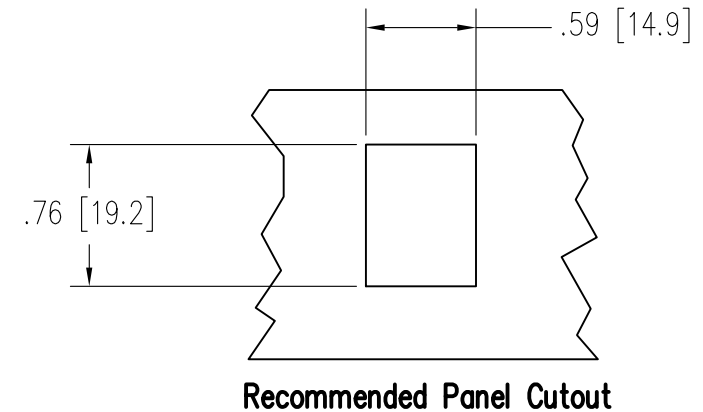
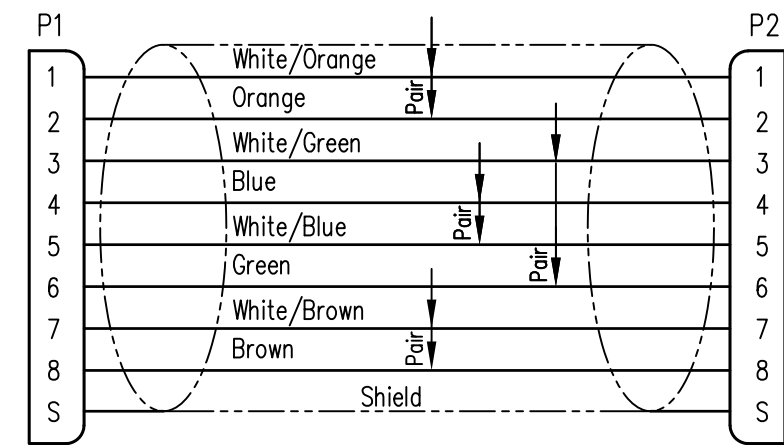
- 1) Each cable assembly to be individually bagged.
- 2) 50μ" Gold plating on jack and plug contacts
- 3) Cable Construction:
 - 24AWG Stranded
 - Twisted pairs: Two primaries twisted together with varying lays to reduce crosstalk.
 - PVC Jacket
- 4) Slimline Snagless Strain Relief
- 5) 100% Transmission Tested for Performance

Part Number Structure



Length	
XXX	Feet
001	1.0
003	3.0
005	5.0
007	7.0
010	10.0
015	15.0
025	25.0

Wiring Map: 568B Standard



THIRD ANGLE PROJECTION		206 Van Vorst Street Jersey City, NJ 07302 +1 201 432 0463 http://www.belfuse.com
DO NOT SCALE DRAWING DRAWING IS SUBJECT TO CHANGE WITHOUT NOTICE		TITLE: Bel Cable Assembly, CAT 5e Jack To Cat5e plug, UTP Stranded CM
DIMENSIONS: INCHES [METRIC]	THIS DRAWING AND THE SUBJECT MATTER SHOWN THEREON ARE CONFIDENTIAL AND THE PROPRIETARY PROPERTY OF BEL FUSE, INC. AND SHALL NOT BE REPRODUCED, COPIED, OR USED IN ANY MANNER WITHOUT PRIOR WRITTEN CONSENT OF BEL FUSE, INC.	DRN BY: GWL DATE 11/23/20
UNLESS OTHERWISE SPECIFIED TOLERANCES ARE ±.005 [0.13] ANGLES ARE ± 1°		APPD BY: AB DATE 11/30/20
SHEET NO. 1 OF 1		DWG NO. CT999232 REV. A0