

# ARK865SC



Sample image

**Order symbol:** ARK865SC

**Product nbr:** 8561448

**Description:** PC Enclosure

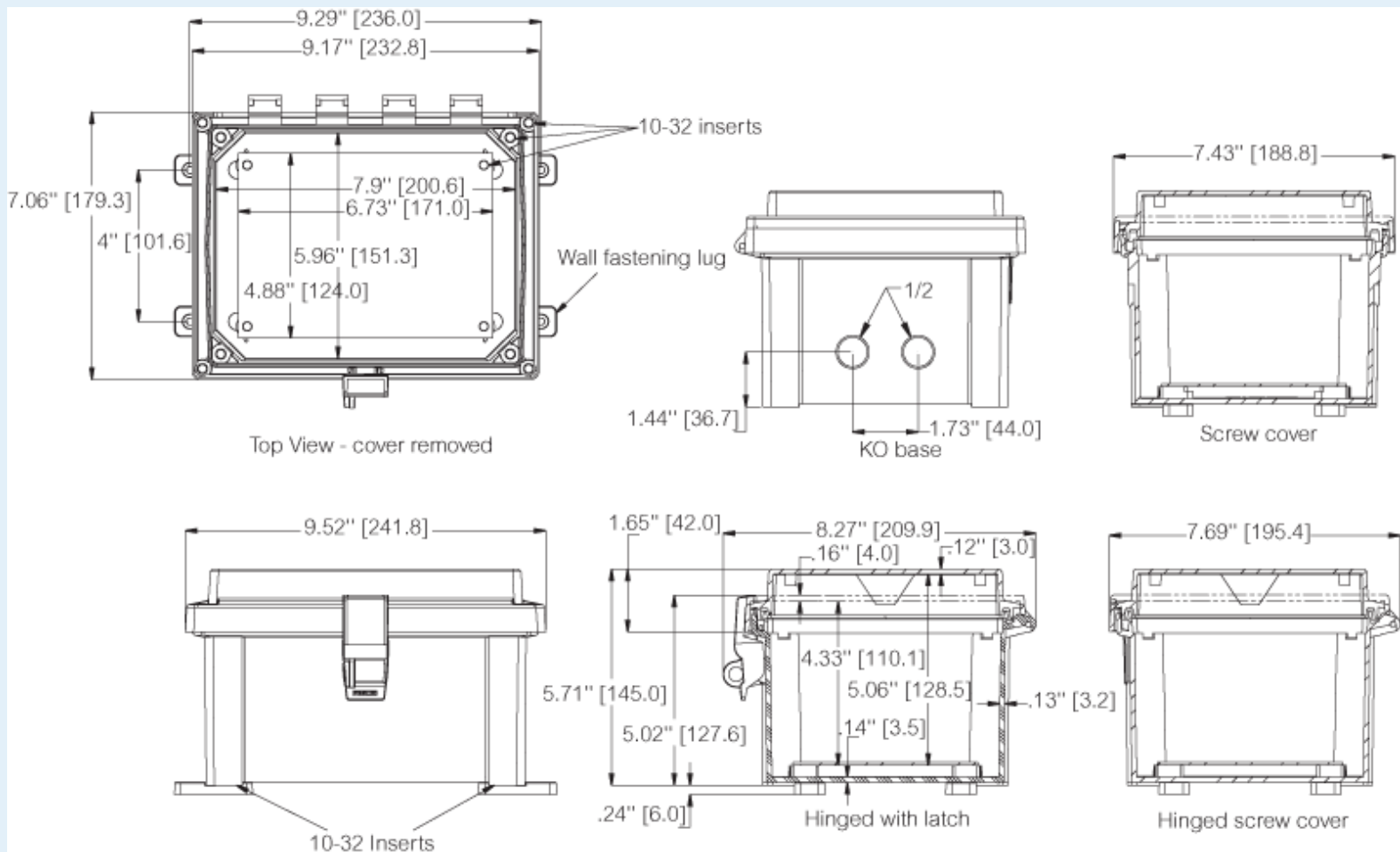
**Remarks:** Opaque screw cover. Base includes 1/2 and 3/4 inch knock-outs.

**EAN:** 6418074096241

**El. number:**

- Finland:
- Denmark:
- Sweden:

**Including:** Screw cover. Base with 10-32 brass inserts, cover with formed in place PUR gasket and 4 stainless cover screws. Base includes 1/2 and 3/4 inch knock-outs. Enclosure mounting foot kit. Accessory 10-32 screws for panel mounting.



<b>Dimensions:</b>	<b>Height</b>	<b>Width</b>	<b>Depth</b>
mm:	203	152	127
inch:	8	6	5

#### **Materials:**

Material:	Polycarbonate
Base colour:	RAL 7035 -light grey
Cover colour:	RAL 7035 -light grey
Gasket material:	Polyurethane

#### **Temperatures:**

Temperature °C (short term)::	-40 ... 140
Temperature °C (continuous):	-40 ... 80
Temperature °F (short term):	-40 ... 250
Temperature °F (continuous):	-40 ... 175

#### **Accessories:**

AMFL6	6" Mounting Flange Set
ASP86	Aluminum Swing Panel (154.4 x 204.5 x 0)
ASPK86	Swing Panel Kit incl. Panel
APBP86	PVC Back Panel (175 x 124)
ASPHK8	Swing Panel Kit w/o Panel
ABP86	Painted Steel Back Panel (175 x 124)
ALBP86	Aluminum Back Panel (175 x 124)
ADFP86	Dead Front Panel w/ screws (157 x 205.5 x 0)

#### **Rating:**

Ingress protection (EN 60529):	IP66; IP67;
Impact Resistance (EN 62262):	IK09;
Electrical insulation:	Not insulated
Halogen free (DIN/VDE 0472, Part 815):	1
UV resistance:	UL 508
Flammability Rating:	UL 508
Glow Wire Test (IEC 695-2-1) °C:	960 °C
NEMA Class	NEMA 4, 4X, 6, 6P, 12, 12K and 13

#### **Certificates:**