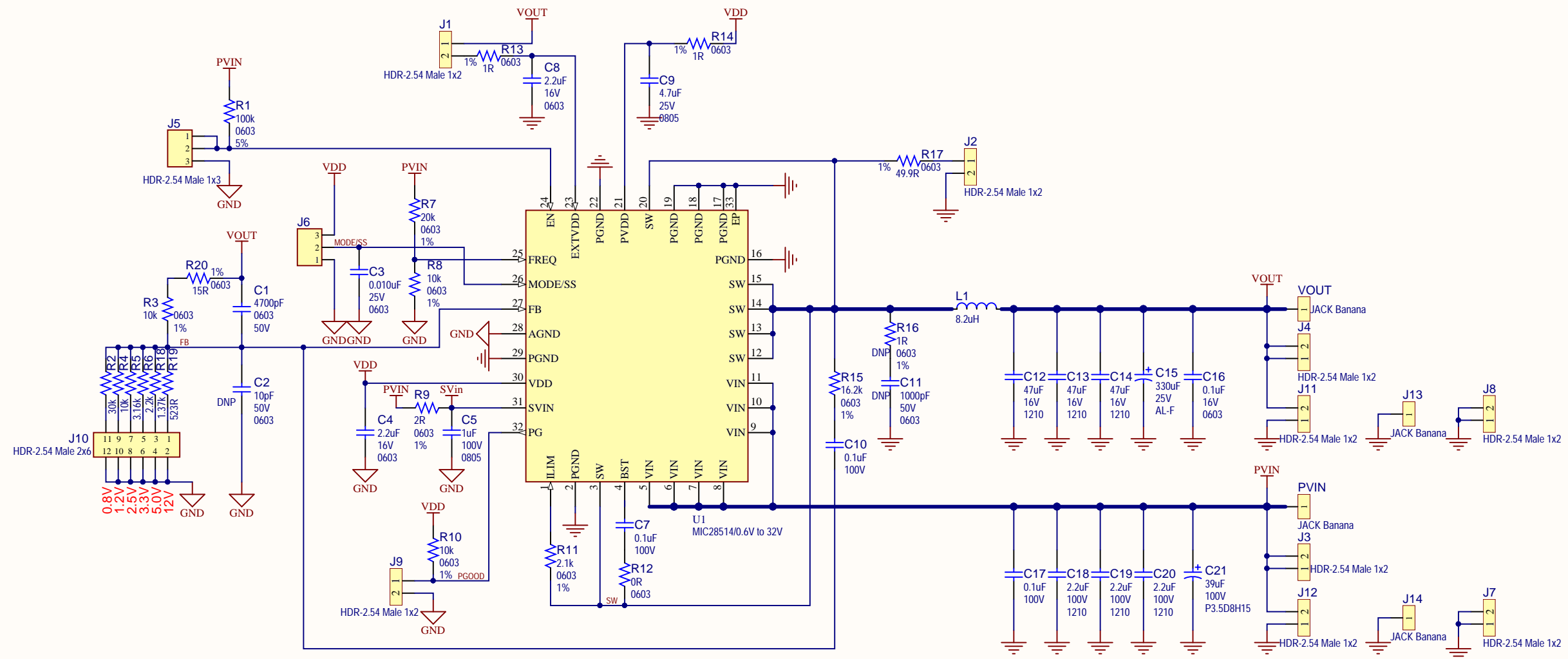


REV	ECO#	DESCRIPTION	DATE



- PAD1
- Bump CYL D9.53H5.97
- PAD2
- Bump CYL D9.53H5.97
- PAD3
- Bump CYL D9.53H5.97
- PAD4
- Bump CYL D9.53H5.97
- JP1
- Shunt 2.54mm 1x2 Handle

LABEL1

02-	-R1
JIT	

LABEL Need Help Small

Drawn By: Razvan Costache	
Engineer: Surya Talari	
PartNumber: ADM00804	Project Title MIC28514 Evaluation Board
Sheet Title MIC28514 EVB Schematic	<i>Designed with</i> Altium
Size B	Sch #03-10614 Revision:1
Date: 17/11/2016 12:26:55 PM	Sheet 1 of 1
File: 03-10614-R1.SchDoc	