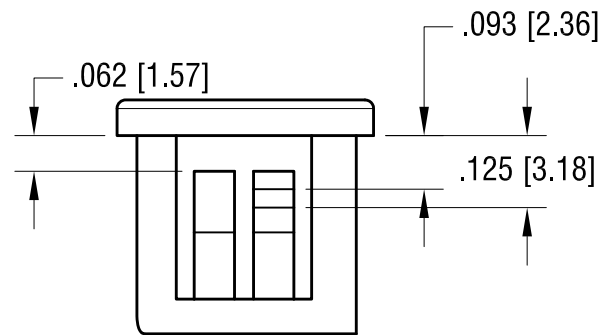
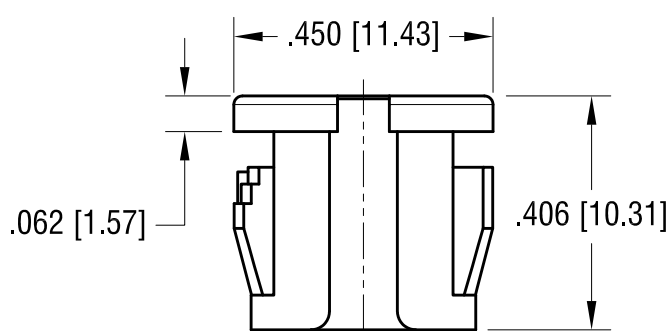
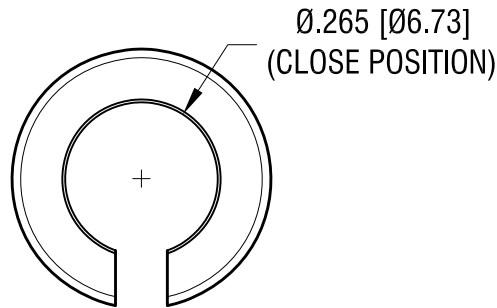


THIS DOCUMENT IS THE PROPERTY OF  
KEYSTONE ELECTRONICS CORP. AND  
SHALL NOT BE REPRODUCED, DISTRIBUTED  
OR USED AS A BASIS FOR MANUFACTURE  
WITHOUT PRIOR WRITTEN PERMISSION  
FROM KEYSTONE ELECTRONICS CORP.

ACTUAL SIZE



**NOTE:**

1. MOUNTING HOLE .375 [9.52]

|          |                          |      |
|----------|--------------------------|------|
| 3.23.20  | CHANGE AS PER ECN 20-026 | B    |
| 12.07.17 | CHANGE AS PER ECN 17-074 | A    |
| DATE     | DESCRIPTION              | REV. |

|  |                 |                           |             |
|--|-----------------|---------------------------|-------------|
| <b>KEYSTONE ELECTRONICS CORP.</b>                              |                 |                           |             |
| www.keyelco.com • NEW HYDE PARK, NY 11040 • Tel (516) 328-7500 |                 |                           |             |
| PART NAME  |                 | NYLON SPLIT BUSHING       |             |
| MATERIAL   |                 | NYLON 6/6, BLACK UL 94V-2 |             |
| FINISH   | NONE            | DRN BY                    | BOONE       |
|  |                 | APP'D                     | LN          |
|  |                 | DATE                      | 1.18.07     |
|  |                 | SCALE                     | 3X          |
| TOLERANCES   | INCH [MM]       | CODE                      | DWG NO.     |
| DECIMAL  | ± .015 [± 0.38] | C                         | <b>8490</b> |
| ANGULAR  | ± 1°            |                           |             |
| UNLESS OTHERWISE SPECIFIED                                     |                 |                           |             |