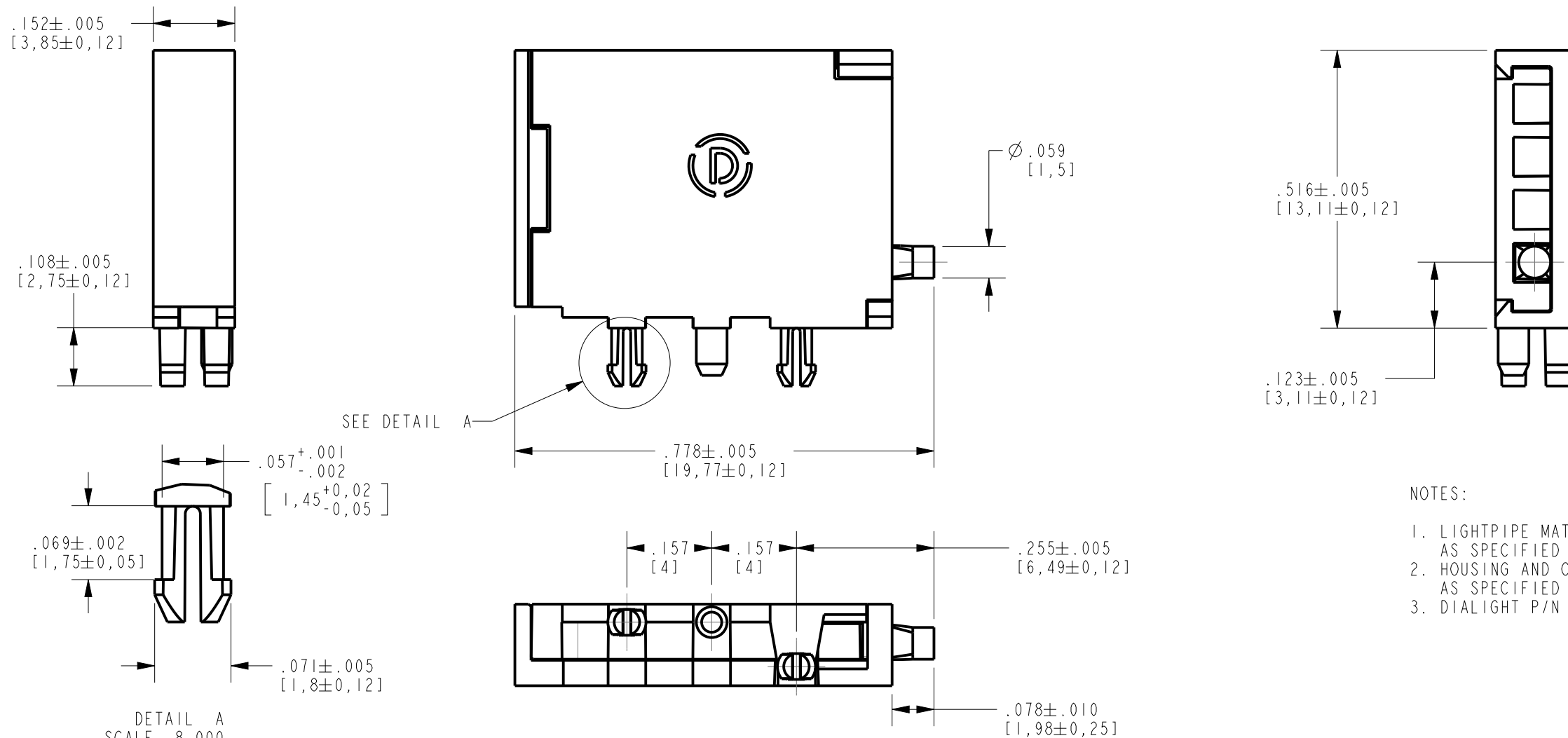


RoHS COMPLIANT 515-1231F LIGHT PIPE ASSEMBLY

Part Numbers with the "F" suffix ending are RoHS Compliant. Packaging is marked with "RoHS Compliant" label or equivalent markings.

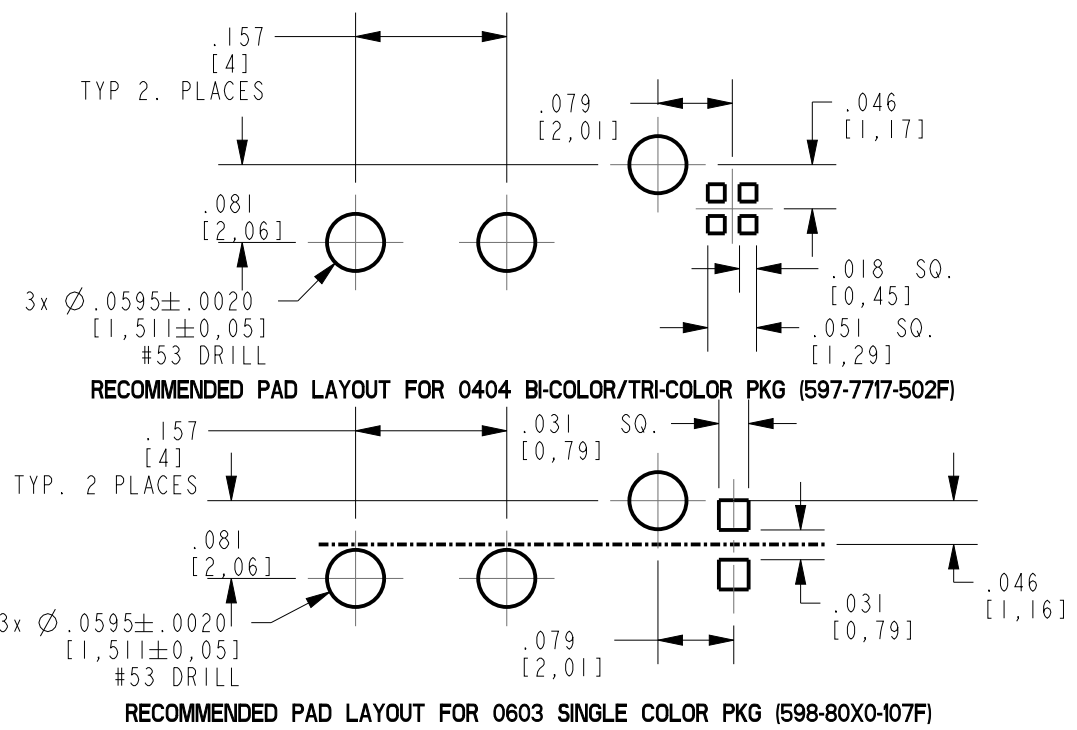
REV	ECN NO	REVISIONS	DRN	CKD	APP	DATE
A		NEW RELEASE	BP		NO	6-29-17



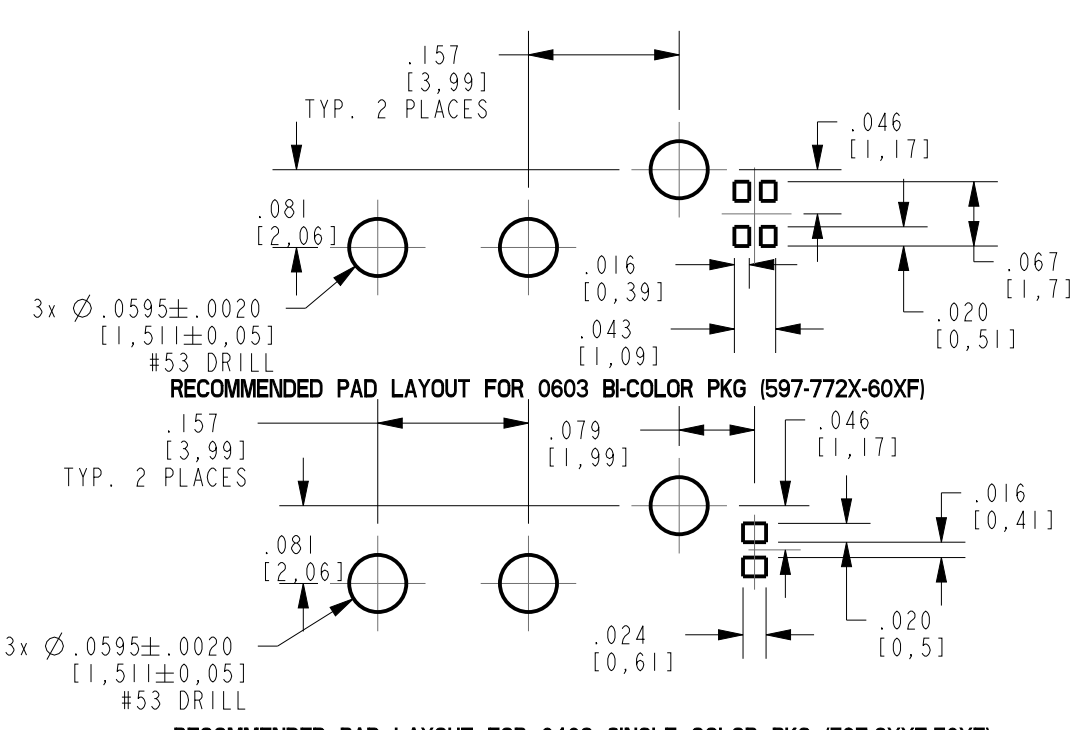
NOTES:

1. LIGHTPIPE MATERIAL TO BE CLEAR POLYCARBONATE OR EQUIVALENT. AS SPECIFIED BY DIALIGHT ENGINEERING DEPT.
2. HOUSING AND COVER TO BE BLACK POLYCARBONATE OR EQUIVALENT. AS SPECIFIED BY DIALIGHT ENGINEERING DEPT.
3. DIALIGHT P/N 515-1231F

DETAIL A
SCALE 8.000



DIRECTION OF LIGHT



DIRECTION OF LIGHT

THIS DRAWING AND THE CONTENTS HEREIN ARE CONFIDENTIAL AND THE SOLE PROPERTY OF DIALIGHT. REPRODUCTION OF THIS DRAWING OR CONSTRUCTION OF ANY PARTS WITHIN THIS DRAWING ARE FORBIDDEN WITHOUT THE WRITTEN CONSENT OF DIALIGHT.		
SCALE: 4.000	DRAWING NUMBER	REV
ALL DIM'S IN: INCHES (MM)	C-18330	A
TOLERANCES: UNLESS OTHERWISE SPECIFIED	TITLE	
FRACTIONS: ±1/64	LP I HIGH/ BARRIER ASSEMBLY	
DECIMALS (.XX): ±.01	MATERIAL	
DECIMALS (.XXX): ±.003	Dialight	
DECIMALS (.XXXX): ±.0005	1501 ROUTE 34 SOUTH	
ANGLES: ±1°	FARMINGDALE, NJ 07727	
FINISH:	FSCM 83330	SHEET 1 OF 1 FAMILY TABLE: