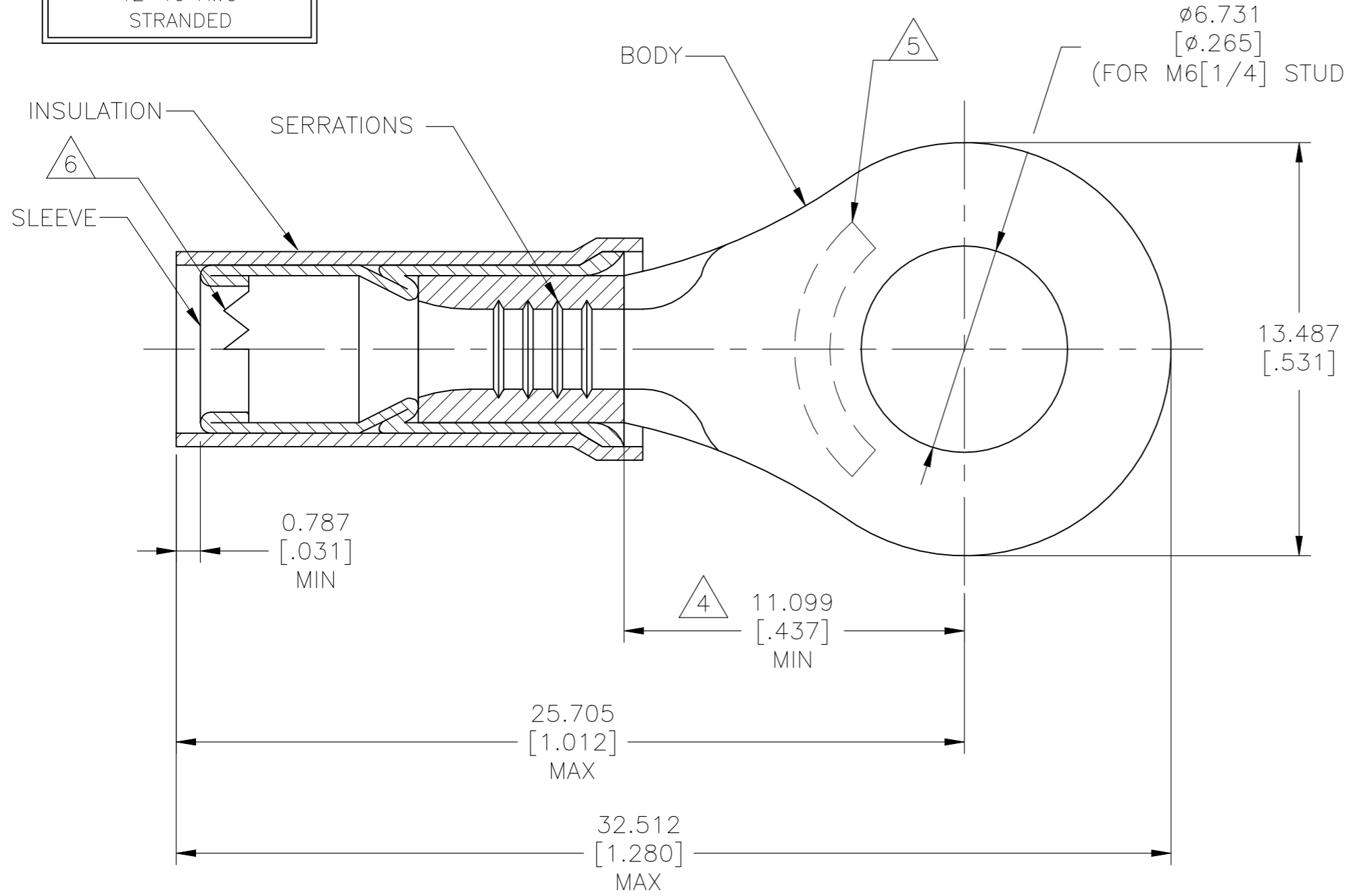


REVISIONS				
P	LTR	DESCRIPTION	DATE	APVD
E6		REVISED PER ECR-22-138429	19MAY2022	LP DSC

**AMP**  
WIRE RANGE  
12-10 AWG  
STRANDED



- 1 MATERIAL:  
BODY & SLEEVE - COPPER PER ASTM B152  
INSULATION - PTFE PER ASTM D4895  
  
FINISH:  
BODY - NICKEL PLATE 0.00762[.00030]  
AVG EXT THK PER SAE AMS-QQ-N-290  
SLEEVE - NICKEL PLATE 0.001651[.000065]  
AVG EXT THK PER SAE AMS-QQ-N-290  
INSULATION COLOR - BLACK
- 2 FOR 2.591[.102] TO 5.436[.214]  
WIRE INSULATION DIA.
- 3 BODY MATERIAL THK:0.991±0.051[.039±.002]
- 4 DIMENSION APPLIES FROM EDGE OF  
METAL WIRE BARREL TO CENTER OF  
STUD HOLE
- 5 STAMP "AMP 12-10\*" APPROX AS SHOWN
- 6 INTERNAL EDGE FEATURE MAY BE  
SOLID OR SCALLOPED

1000	LOOSE PIECE	50846
QTY	PACKAGE TYPE	PART NO.

**AMP INCORPORATED**  
**CUSTOMER SERVICE SYSTEMS**

FOR ADDITIONAL PRODUCT INFORMATION OR COPIES OF DRAWINGS AND TECHNICAL DOCUMENTS  
PRODUCT INFORMATION CENTER  
1-800-522-6752

FOR APPLICATION TOOLING INFORMATION  
TOOLING ASSISTANCE CENTER  
1-800-722-1111

FOR ORDER ENTRY  
1-800-526-5142

MAX RECOMMENDED OPERATING TEMPERATURE:  
288°C [550°F]

VOLTAGE RATING:  
300V MAX

CIRCULAR MIL AREA:  
2.62-6.64mm<sup>2</sup>[5,180-13,100]  
STRANDED WIRE ONLY

THIS DRAWING IS A CONTROLLED DOCUMENT.

DIMENSIONS:  
mm [INCHES]

TOLERANCES UNLESS OTHERWISE SPECIFIED:

0 PLC	± -
1 PLC	± -
2 PLC	± -
3 PLC	± 0.127[.005]
4 PLC ANGLES	± - ± -

MATERIAL

FINISH

DWN 13OCT2015  
NAGALAKSHMI K

CHK 13OCT2015  
MERCURIO MAURIZIO

APVD 13OCT2015  
MERCURIO MAURIZIO

PRODUCT SPEC -

APPLICATION SPEC 114-2162

WEIGHT -

CUSTOMER DRAWING

**STE** TE Connectivity

NAME  
TERMINAL, RING TONGUE,  
PIDG, STRATO-THERM,  
WIRE SIZE: 12-10 AWG

SIZE	CAGE CODE	DRAWING NO	RESTRICTED TO
A3	00779	C-50846	-

SCALE NTS SHEET 1 OF 1 REV E6