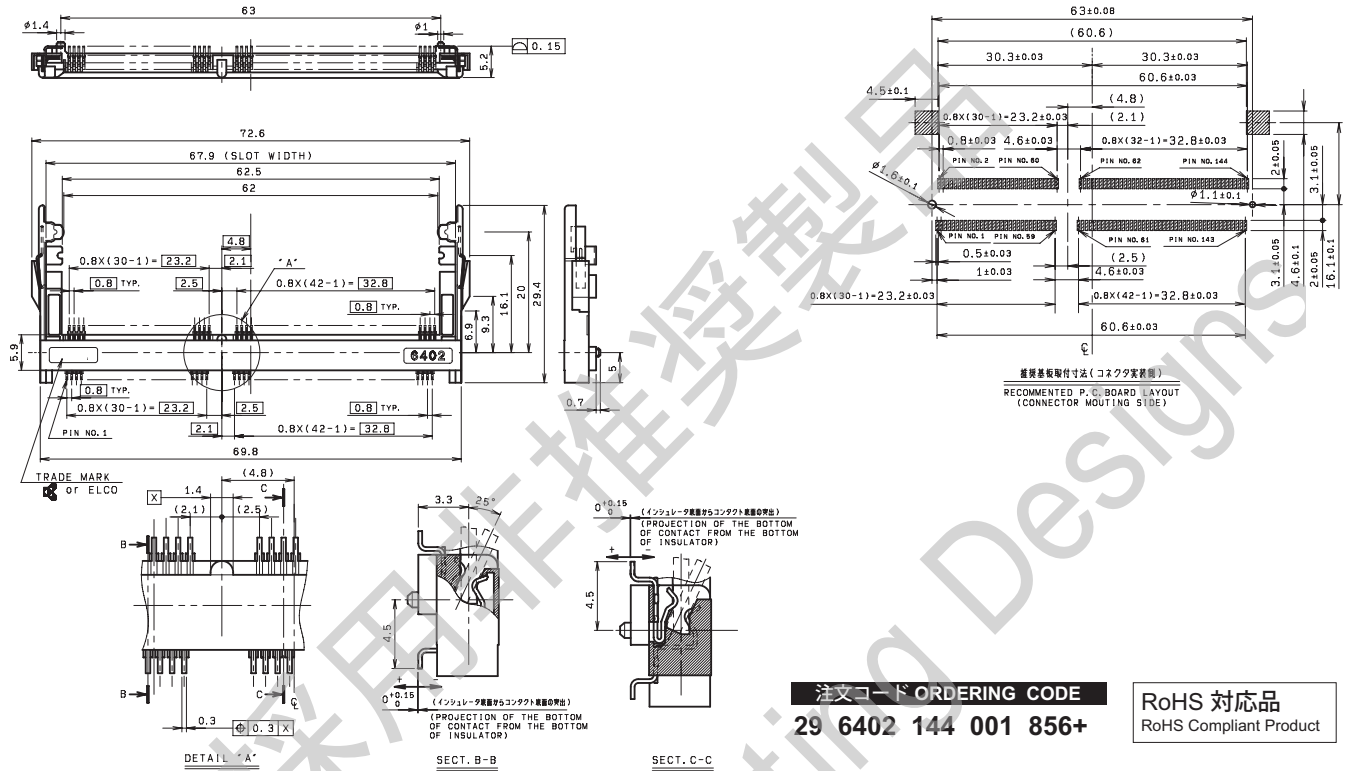


0.8mm Pitch
SERIES

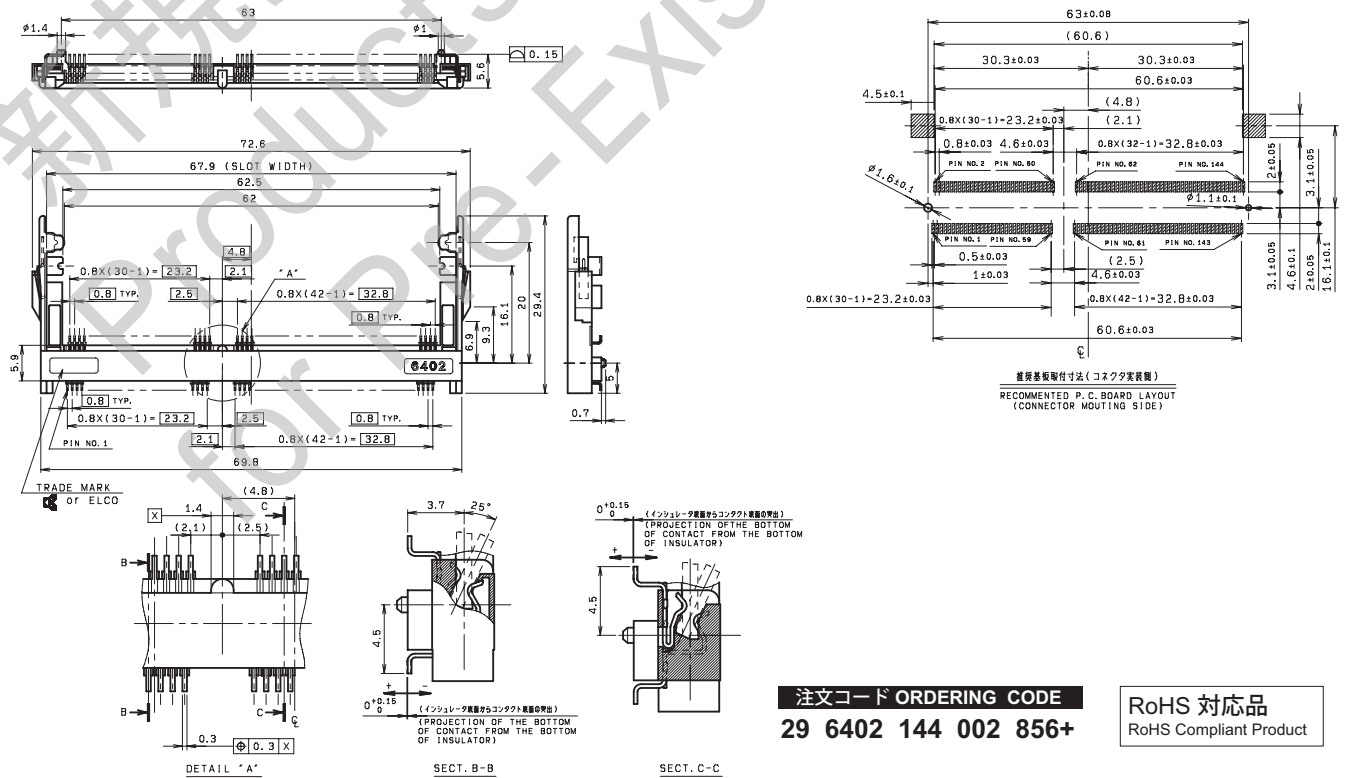
6402

S.O.DIMM RA SMT 144極
S.O.DIMM RA SMT 144 Positions

■H=5.2mm



■H=5.6mm



0.8mm Pitch

SERIES

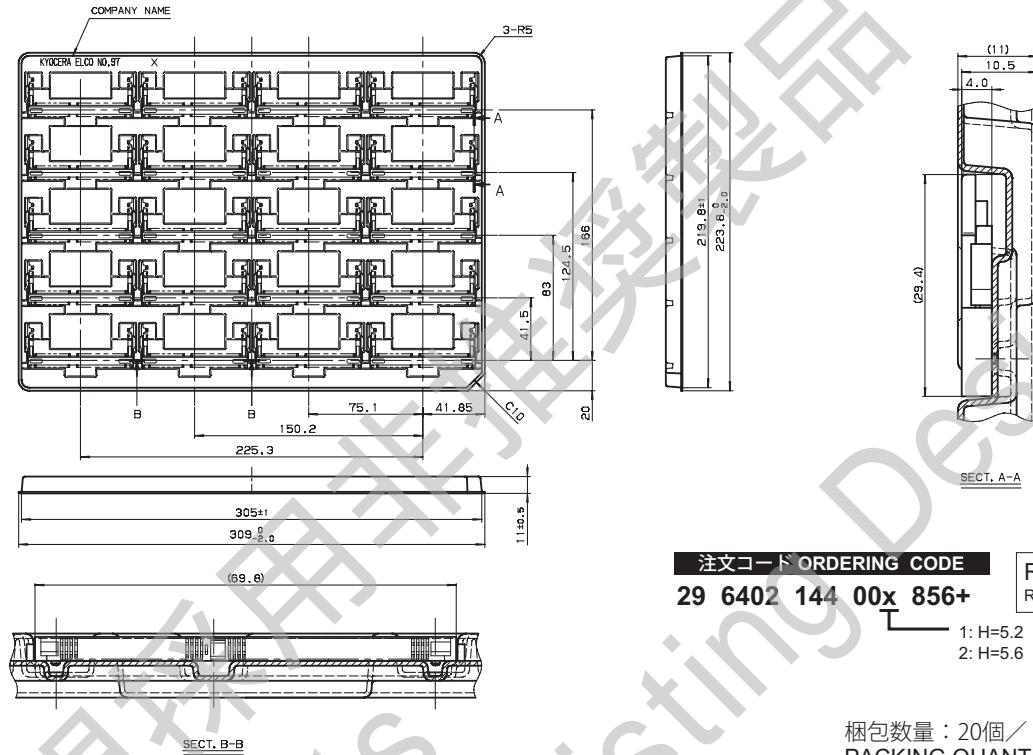
6402

S.O.DIMM RA SMT 144極

S.O.DIMM RA SMT 144 Positions

● 梱包仕様

Tray / Package



注文コード ORDERING CODE
29 6402 144 00x 856+

RoHS 対応品
 RoHS Compliant Product

1: H=5.2
 2: H=5.6

梱包数量：20個／トレー
 PACKING QUANTITY：20/Tray

新規採用禁止製品
 Products for Pre-Existing Designs