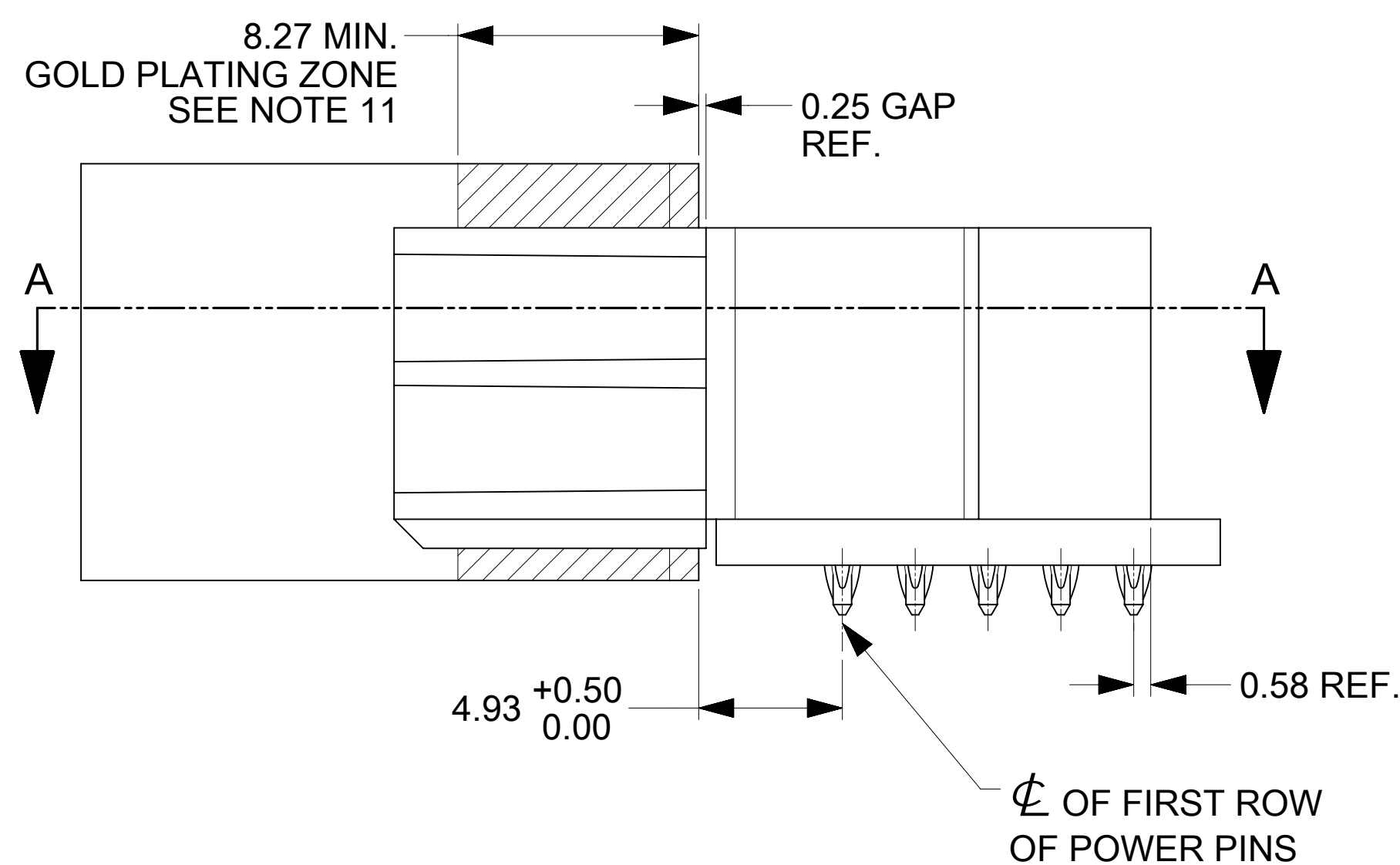
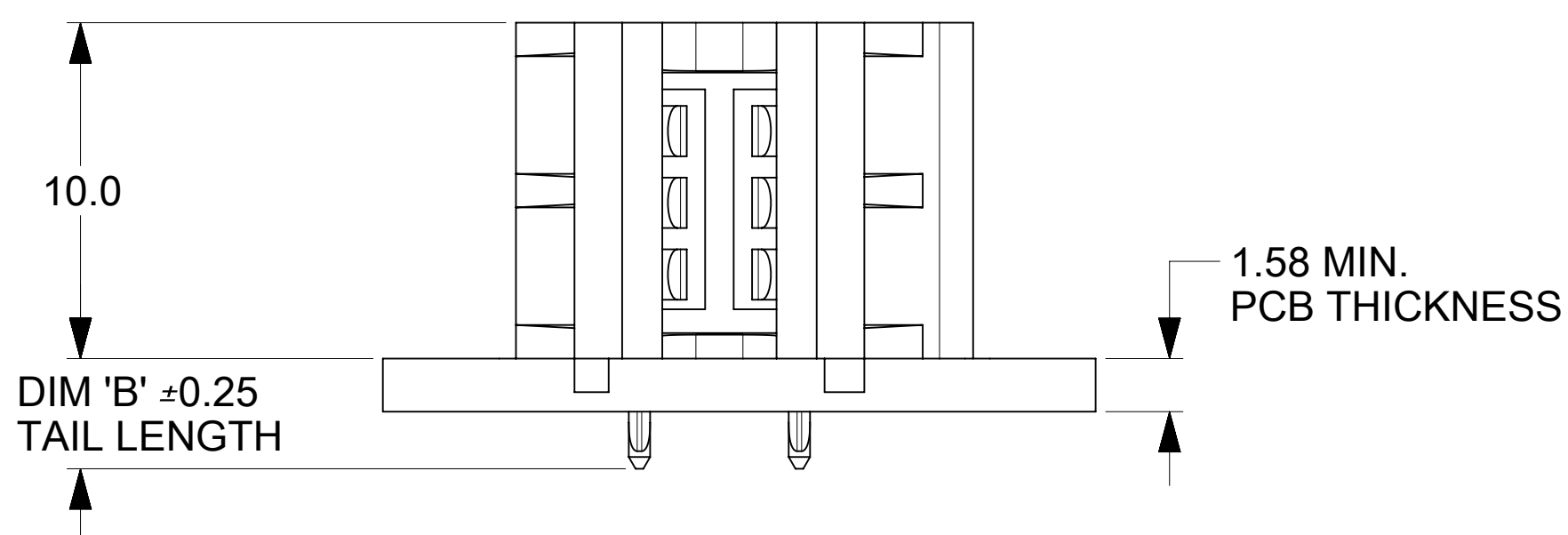
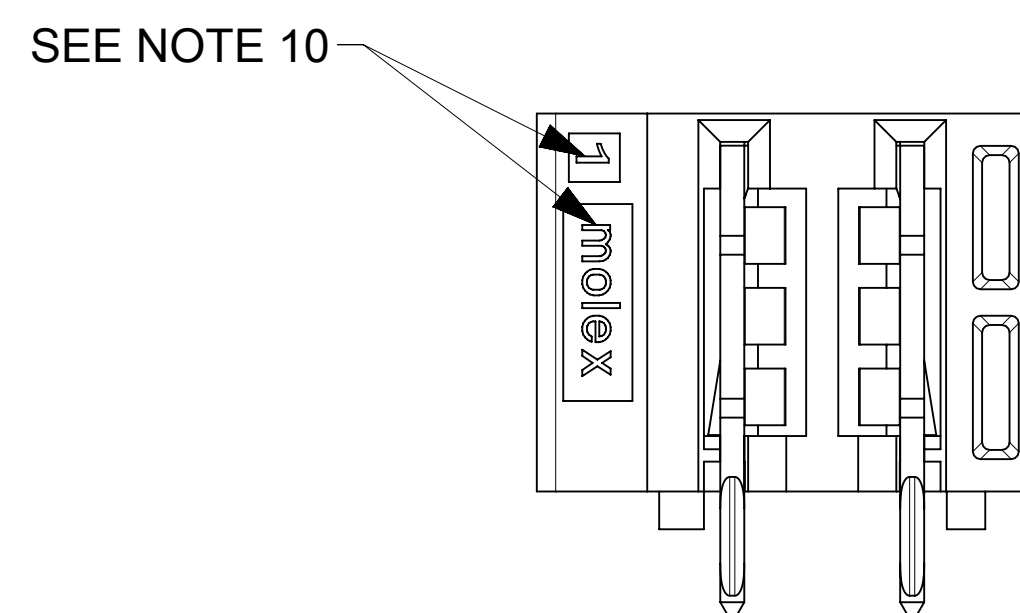


SECTION A-A

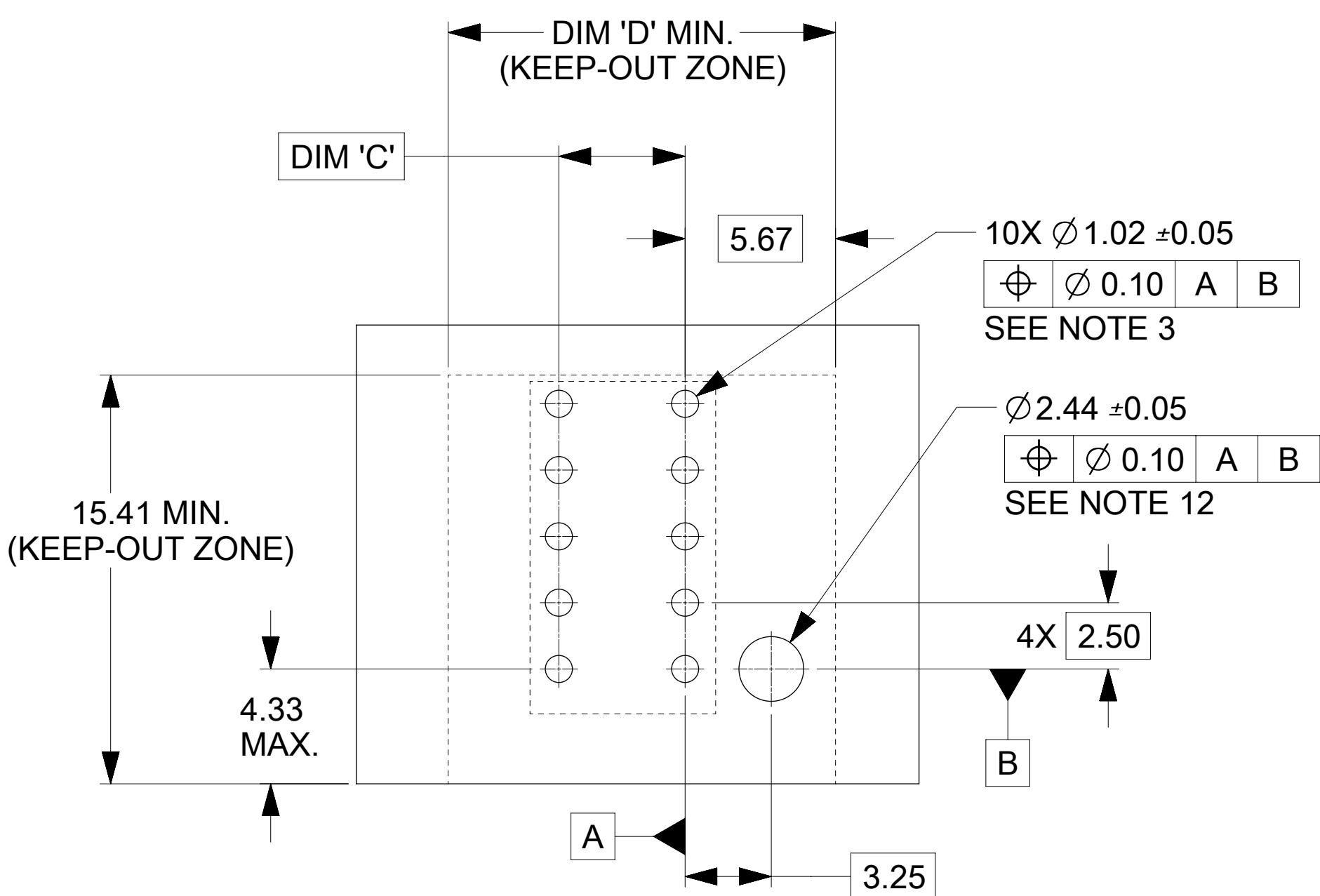


MATED PROFILE



NOTES:

- MATERIAL:
  - HOUSINGS: LCP UL94 V-0, COLOR: BLACK.
  - TERMINALS: COPPER ALLOY.
  - PLATING: 1.27 MICROMETER (50 MICROINCH) NICKEL OVERALL WITH:  
2.54 MICROMETER (100 MICROINCH) SELECTIVE TIN ON TAILS AND  
0.762 MICROMETER (30 MICROINCH) SELECTIVE GOLD ON CONTACT AREA
- PACKAGING: ASSEMBLIES TO BE TRAY PACKED PER PACKAGING SPEC: 1737080000-PK.
- PLATED THRU HOLE SIZE, REFER TO 173708-0000-PS FOR DETAILS.
- PRODUCT SPEC: 173708-0000-PS.
- PRODUCT TO MEET RoHS REQUIREMENTS.
- ASSEMBLY MATES WITH BUS BAR, SEE CHART FOR THICKNESS.
- TAIL DESIGN: SEE CHART.
- POWER CONTACTS ARE LUBRICATED.
- APPLICATION SPEC: AS-46436-100.
- MOLEX LOGO AND CAVITY ID TO BE LOCATED APPROXIMATELY AS SHOWN.
- BUSBAR MUST HAVE GOLD OVER NICKEL PLATING IN MATING ZONE, MOLEX RECOMMENDS GOLD PLATING BE COATED WITH AN ENVIRONMENTAL BARRIER
- DESIGNED FOR USE WITH #2-32 TYPE AB SELF TAPPING SCREW, RECOMMENDED TORQUE: .37 N-m MAX. TORQUE SCREWS ARE NOT SUPPLIED WITH THE CONNECTOR.
- PART NUMBER AND DATE CODE IN APPROX. LOCATION AS SHOWN.



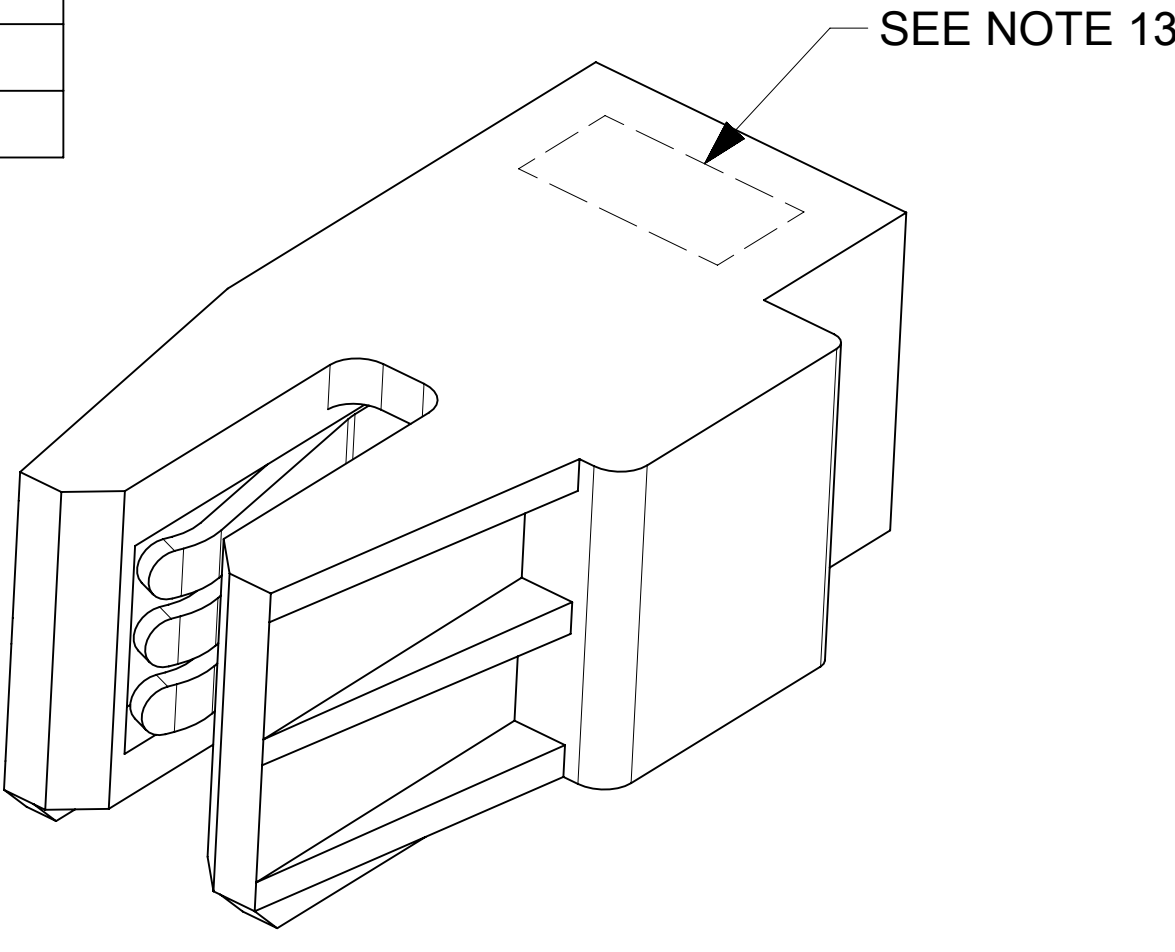
RECOMMENDED PCB LAYOUT AND KEEP-OUT ZONE (SHOWN FROM TOP)

| PART NUMBER | DIM 'A' | DIM 'B' | DIM 'C' | DIM 'D' | DIM 'E' BUS BAR THICKNESS | DIM 'F' | TAIL TYP.              |
|-------------|---------|---------|---------|---------|---------------------------|---------|------------------------|
| 173708-0011 | 13.61   | 3.28    | 4.76    | 14.61   | 3.00                      | 2.38    | PRESS-FIT              |
| 173708-0012 | 13.79   | 3.28    | 4.94    | 14.79   | 3.18                      | 2.47    |                        |
| 173708-0013 | 16.71   | 3.28    | 7.86    | 17.71   | 6.10                      | 2.38    | SOLDERTAIL (.062" PCB) |
| 173708-0014 | 13.61   | 2.84    | 4.76    | 14.61   | 3.00                      | 2.38    |                        |
| 173708-0015 | 13.79   | 2.84    | 4.94    | 14.79   | 3.18                      | 2.47    | SOLDERTAIL (.093" PCB) |
| 173708-0016 | 16.71   | 2.84    | 7.86    | 17.71   | 6.10                      | 2.38    |                        |
| 173708-0017 | 13.61   | 3.63    | 4.76    | 14.61   | 3.00                      | 2.38    | SOLDERTAIL (.093" PCB) |
| 173708-0018 | 13.79   | 3.63    | 4.94    | 14.79   | 3.18                      | 2.47    |                        |
| 173708-0019 | 16.71   | 3.63    | 7.86    | 17.71   | 6.10                      | 2.38    |                        |

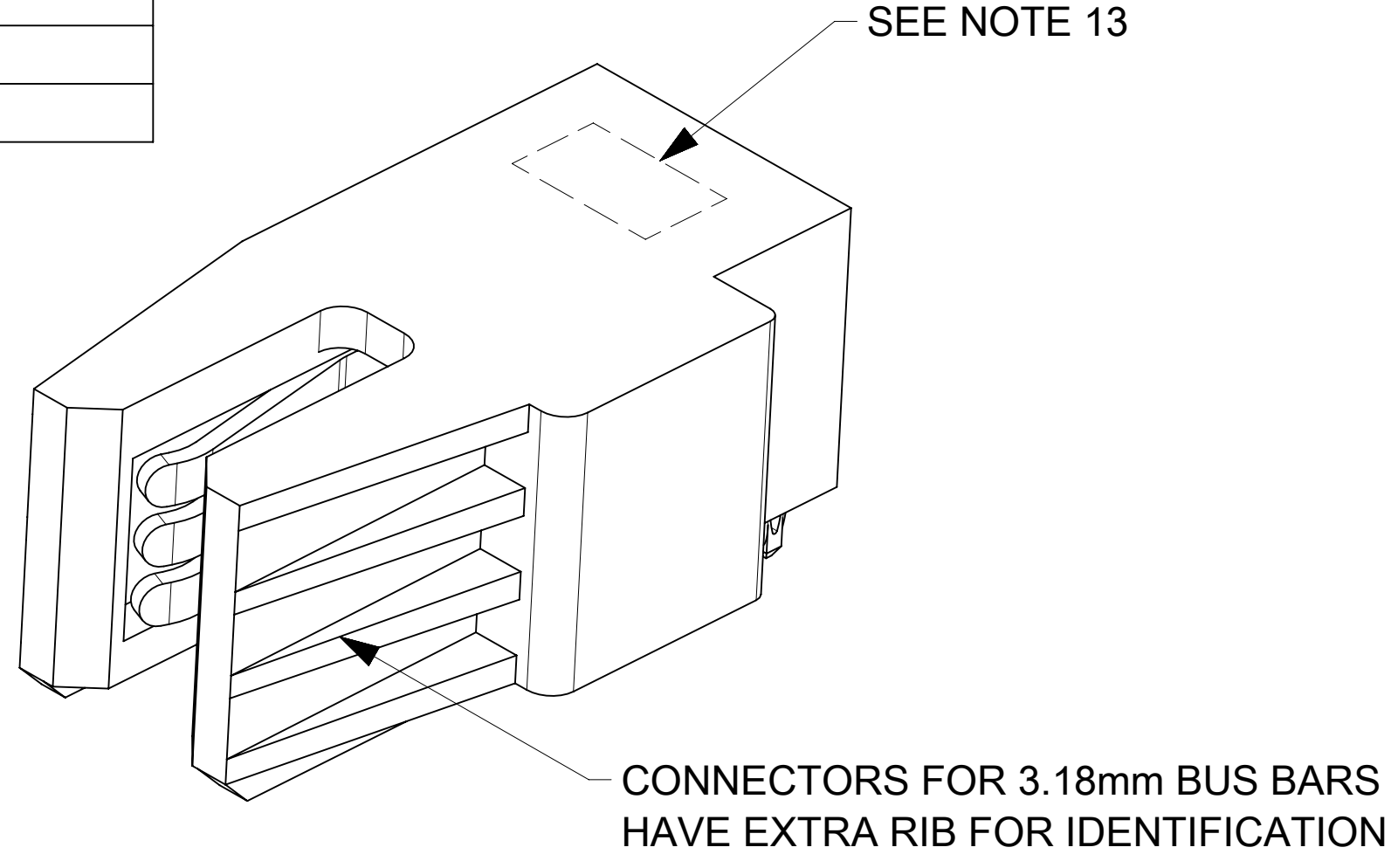
THIS DRAWING CONTAINS INFORMATION THAT IS PROPRIETARY TO MOLEX ELECTRONIC TECHNOLOGIES, LLC AND SHOULD NOT BE USED WITHOUT WRITTEN PERMISSION

|  |                        |  |                             |                            |                          |
|--|------------------------|--|-----------------------------|----------------------------|--------------------------|
| DIMENSION UNITS: mm                                  | SCALE: 5:1             | CURRENT REV DESC:                          | <b>molex</b>                |                            |                          |
| GENERAL TOLERANCES (UNLESS SPECIFIED)                |                        |  |                             |                            |                          |
| ANGULAR TOL: ± 0.5°                                  |                        | EC NO: 643868                              | PRODUCT CUSTOMER DRAWING    |                            |                          |
| 4 PLACES: ±  |                        | DRWN: GSHARMA 2020/08/12                   | DOCUMENT NUMBER: 1737080011 |                            |                          |
| 3 PLACES: ±  |                        | CHK'D: GSHARMA 2020/08/31                  | DOC TYPE: PSD               |                            |                          |
| 2 PLACES: ± 0.13                                     |                        | APPR: STTAN 2020/10/09                     | DOC PART: 000               |                            |                          |
| 1 PLACE: ± 0.25                                      |                        | INITIAL REVISION: DRWN: GSHARMA 2020/05/07 | REVISION: A1                |                            |                          |
| 0 PLACES: ±  |                        | APPR: HTHYAGARAJ 2020/07/13                | SHEET NUMBER: 1 OF 2        |                            |                          |
| DRAFT WHERE APPLICABLE MUST REMAIN WITHIN DIMENSIONS | THIRD ANGLE PROJECTION | DRAWING: D-SIZE                            | SERIES: 173708              | MATERIAL NUMBER: SEE TABLE | CUSTOMER: GENERAL MARKET |

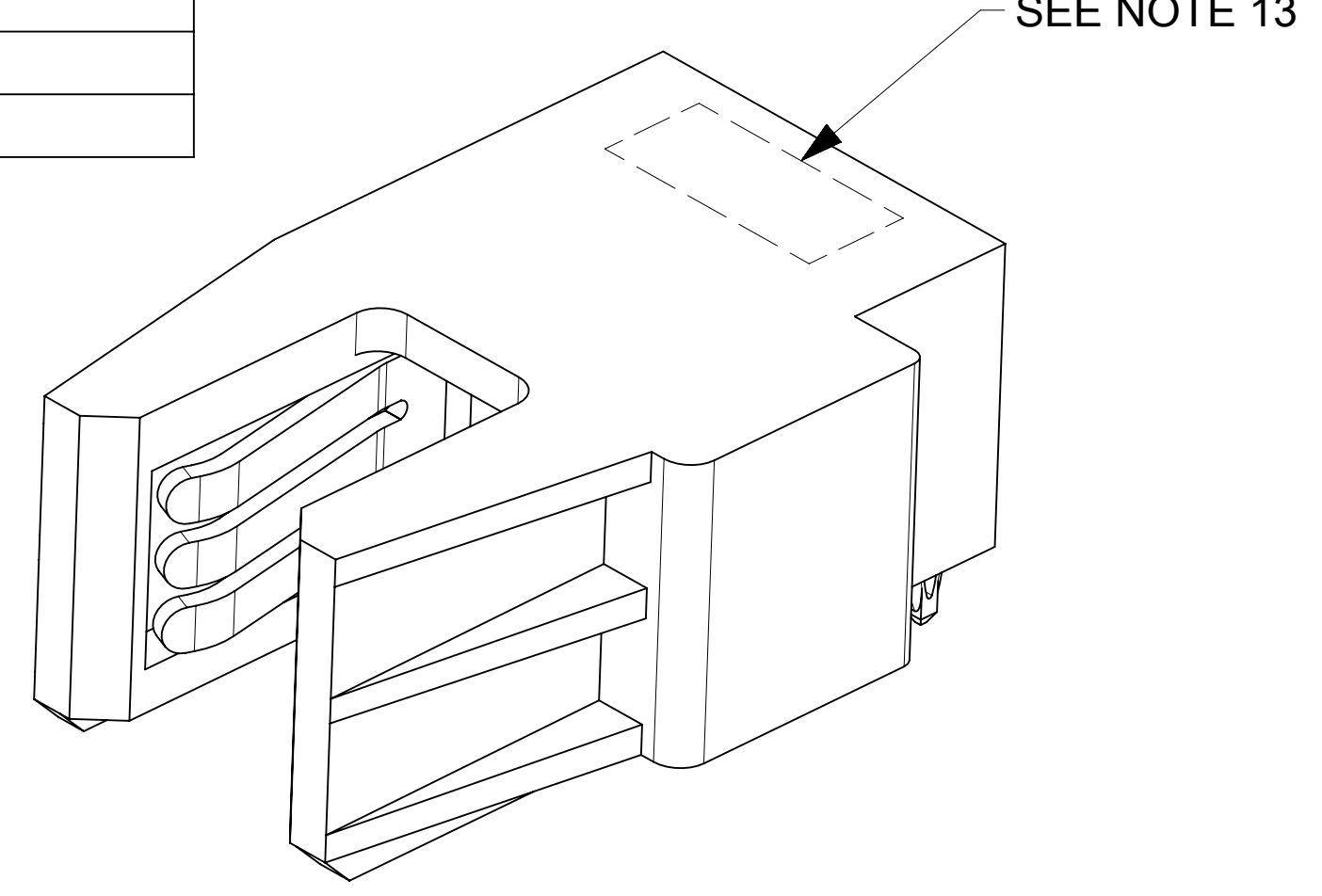
|                         |  |
|-------------------------|--|
| MATES TO 3.00mm BUS BAR |  |
| 173708-0011             |  |
| 173708-0014             |  |
| 173708-0017             |  |



|                         |  |
|-------------------------|--|
| MATES TO 3.18mm BUS BAR |  |
| 173708-0012             |  |
| 173708-0015             |  |
| 173708-0018             |  |



|                         |  |
|-------------------------|--|
| MATES TO 6.10mm BUS BAR |  |
| 173708-0013             |  |
| 173708-0016             |  |
| 173708-0019             |  |



|   |        |                           |  |         |  |        |  |                                       |  |                |  |
|---|--------|---------------------------|--|---------|--|--------|--|---------------------------------------|--|----------------|--|
| THIS DRAWING CONTAINS INFORMATION THAT IS PROPRIETARY TO MOLEX ELECTRONIC TECHNOLOGIES, LLC AND SHOULD NOT BE USED WITHOUT WRITTEN PERMISSION |        |                           |  |         |  |        |  |                                       |  |                |  |
| DIMENSION UNITS   | SCALE  | CURRENT REV DESC:         |  |         |  |        |  | <b>molex</b>                          |  |                |  |
| mm  | 5:1    |                           |  |         |  |        |  |                                       |  |                |  |
| GENERAL TOLERANCES (UNLESS SPECIFIED)   |        |                           |  |         |  |        |  | R/A BUSBAR CONNECTOR 1-CKT RECEPTACLE |  |                |  |
| ANGULAR TOL   | ± 0.5° |                           |  |         |  |        |  | PRODUCT CUSTOMER DRAWING              |  |                |  |
| 4 PLACES  | ±      | EC NO: 643868             |  |         |  |        |  | DOCUMENT NUMBER                       |  |                |  |
| 3 PLACES  | ±      | DRWN: GSHARMA 2020/08/12  |  |         |  |        |  | 1737080011                            |  |                |  |
| 2 PLACES  | ± 0.13 | CHK'D: GSHARMA 2020/08/31 |  |         |  |        |  | DOC TYPE                              |  |                |  |
| 1 PLACE   | ± 0.25 | APPR: STTAN 2020/10/09    |  |         |  |        |  | PSD                                   |  |                |  |
| 0 PLACES  | ±      | INITIAL REVISION:         |  |         |  |        |  | 000                                   |  |                |  |
| DRAFT WHERE APPLICABLE MUST REMAIN WITHIN DIMENSIONS  |        | THIRD ANGLE PROJECTION    |  | DRAWING |  | SERIES |  | MATERIAL NUMBER                       |  | CUSTOMER       |  |
|   |        |                           |  | D-SIZE  |  | 173708 |  | SEE TABLE                             |  | GENERAL MARKET |  |
|   |        |                           |  |         |  |        |  |                                       |  | REVISION       |  |
|   |        |                           |  |         |  |        |  |                                       |  | A1             |  |
|   |        |                           |  |         |  |        |  |                                       |  | SHEET NUMBER   |  |
|   |        |                           |  |         |  |        |  |                                       |  | 2 OF 2         |  |

|                 |    |              |            |          |
|-----------------|----|--------------|------------|----------|
| DOCUMENT STATUS | P1 | RELEASE DATE | 2020/10/09 | 09:29:23 |
|-----------------|----|--------------|------------|----------|