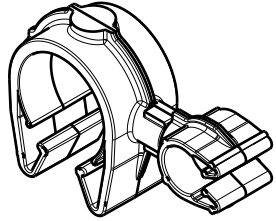
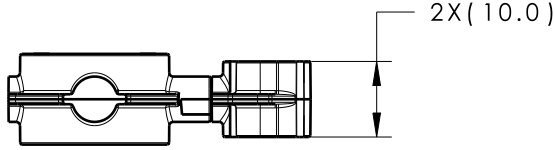
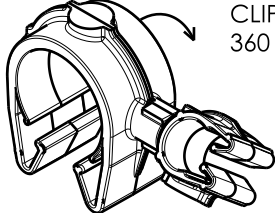
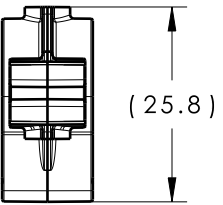
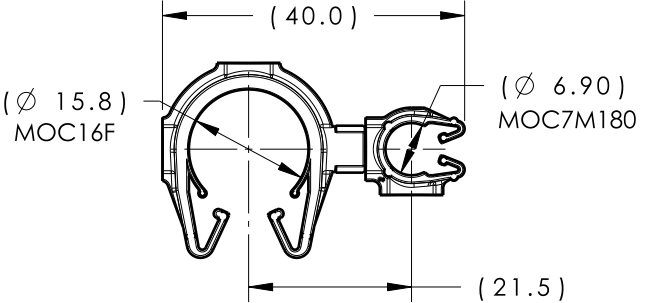


| Revision Level |                |      | Revision Record | Changed | Date   | Approved | Date   |
|----------------|----------------|------|-----------------|---------|--------|----------|--------|
| Drawing        | State          | Part |                 |         |        |          |        |
| 00.0           | Design Release | -    | SEE ECN# 014632 | TAT     | 9/7/18 | EJH      | 9/7/18 |



ISOMETRIC VIEW



CLIPS ROTATE 360 DEGREES

ISOMETRIC VIEW ROTATED

| TYPE           | MOC16F          | MOC7M180      |
|----------------|-----------------|---------------|
| HARNESS        | 14.0MM - 17.0MM | 6.5MM - 7.5MM |
| HOSE           | 14.0MM - 17.0MM | 6.0MM - 7.5MM |
| HARD PIPE/TUBE | 15.9MM - 18.3MM | 6.0MM - 6.8MM |

\*RECOMMENDED SIZES MAY DIFFER DEPENDING ON THE APPLICATION , PRODUCT REQUIREMENTS AND MATERIALS USED

\*\*PATENT PENDING 29/582,271

| GLOBAL PART DESCRIPTION       | MOC16F**        |             |       | MOC7M180        |             |       |
|-------------------------------|-----------------|-------------|-------|-----------------|-------------|-------|
|                               | DRAWING         | MATERIAL    | COLOR | DRAWING         | MATERIAL    | COLOR |
| MOC16FMOC7M180-PA66HIRHSUV-BK | 16-0321-000-CSU | PA66HIRHSUV | BLACK | 16-0315-000-CSU | PA66HIRHSUV | BLACK |

|   |                                     |  |  |                 |     |                 |                                   |  |                |         |
|---|-------------------------------------|--|--|-----------------|-----|-----------------|-----------------------------------|--|----------------|---------|
| Material<br>SEE CHART<br>COLOR: SEE CHART | Units                               | millimeters  | The copyright of this drawing is reserved by HellermannTyton. It is issued on condition that it is not reproduced, copied or disclosed to a third party, either wholly or in part, without the consent of HellermannTyton. | Drawn           | TAT | 9/7/18          | Article/Type-No<br>MOC16FMOC7M180 | Scale                                  | 1:1            |         |
|   | Tolerance defined on each dimension | North America<br>Email: corp@htamericas.com<br>Web: www.hellermann.tyton.com |  | Approved        | EJH | 9/7/18          |                                   | Title<br>16MM MOC COUPLED TO A 7MM MOC | Project Number | 16-0330 |
|   |                                     |  |  | HellermannTyton |     | Drawing-No      | PRODUCTION : Phase                |  | Format         | AH      |
|   |                                     |  |  |                 |     | 16-0330-521-CSU |                                   |  | Sheet          | 1/1     |