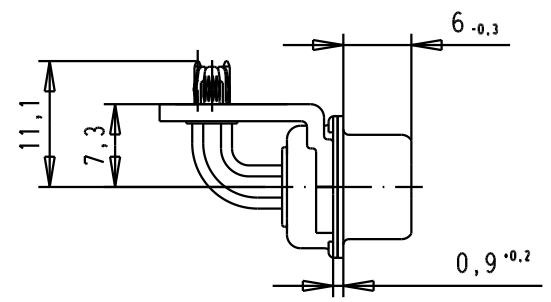
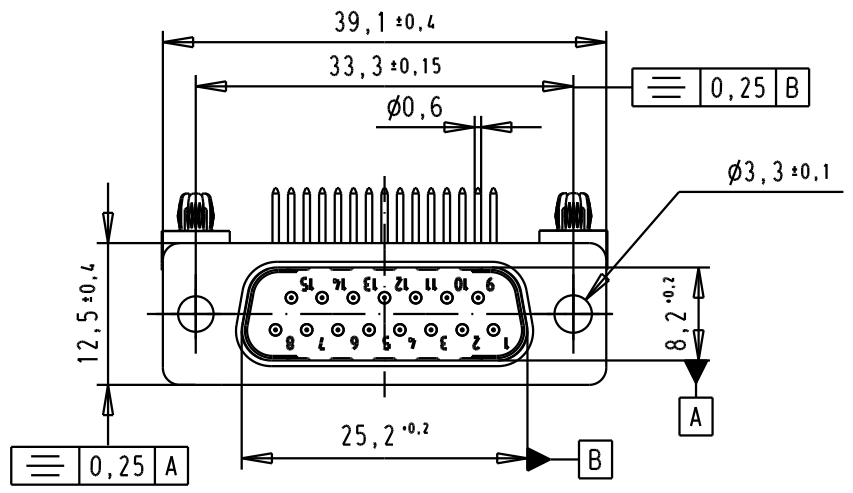


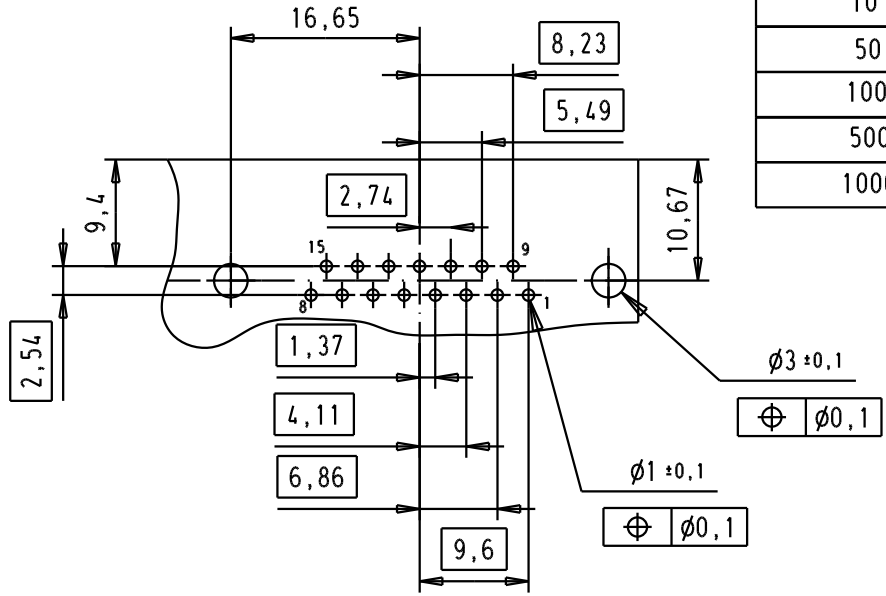
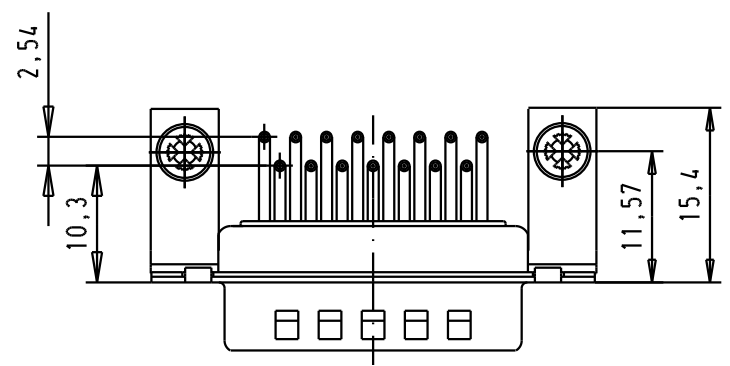
SPECIFICATION



Mating Cycles	500
Filter type	C
Capacitance	3900pf±20%
Working Voltage	100v
Current Rating	7.5A
Insulation Resistance	>1GΩ

FREQUENCY (MHz)	ATTENUATION (dB)
5	6dB
10	11dB
50	25dB
100	35dB
500	35dB
1000	32dB



PCB Layout, Component side, thickness 1.6 mm



				Det.	8-JUL-02	CV	 All Dim. in mm Orig. Size DIN A 4	D-Sub, male, angled, 15 Poles, turned solder pins, tin plated shell with dimples, brackets, board-locks and holes	Ma?Ms Lab/ Scale 1.5:1
			Insp.						
			Stand.						
33271	24/11/05	JMDR	HARTING EURL				TB 09642247241	Blatt/ Page 1 / 1	
31058	8-JUL-02	CV	F-95972 Paris						Sub.
Mod.	Dat.	Name							