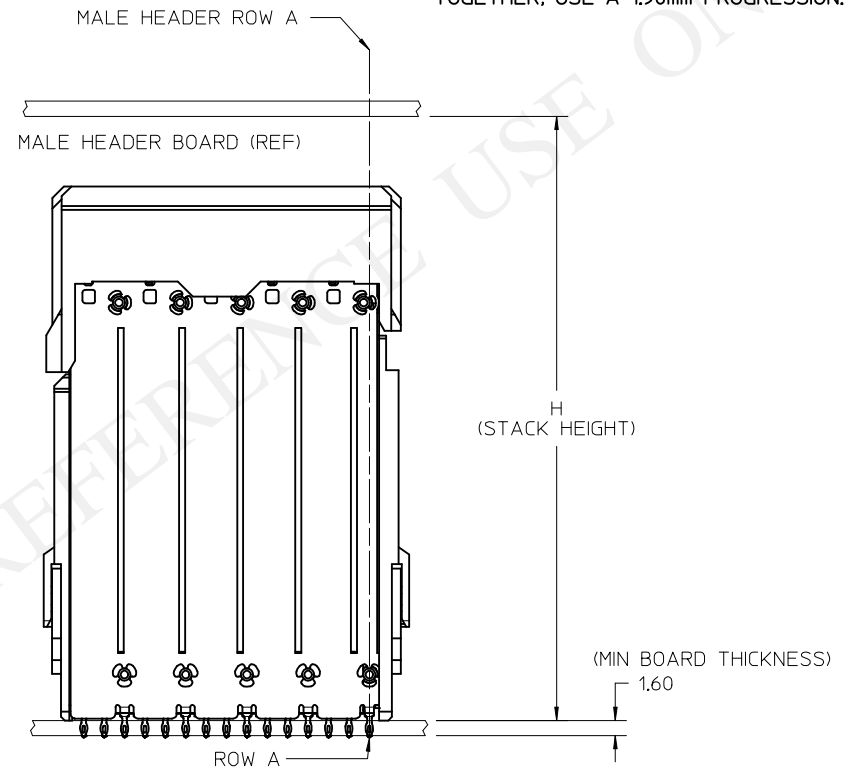
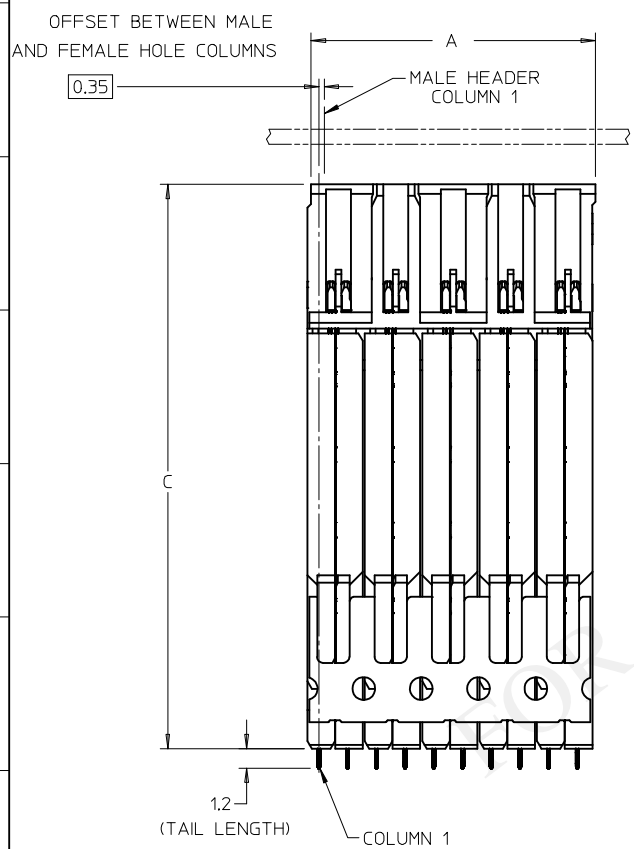


- NOTES:
1. MATERIALS: HOUSING - LIQUID CRYSTAL POLYMER (LCP), GLASS-FILLED, UL94V-0
TERMINALS - HIGH PERFORMANCE COPPER ALLOY
 2. FINISH: 30UM SELECTIVE GOLD IN CONTACT AREA. SELECTIVE MATTE TIN OR SELECTIVE TIN/LEAD ON PCB TAILS. NICKEL OVERALL.
 3. EACH SIGNAL WAFER COLUMN CONTAINS A SHIELD.
 4. PRODUCT SHALL BE PACKAGED PER PK-70873-0040 (40mm), PK-70873-0042 (28mm) OR PK-70873-0043 (38mm).
 5. FOR FURTHER INFORMATION SEE PRODUCT SPECIFICATION PS-76060-999.
 6. THIS PART CONFORMS TO CLASS B REQUIREMENTS OF COSMETIC SPEC PS-45499-002.
 7. PART SHOWN HAS AN OVERALL STACK HEIGHT OF 40mm. VARYING STACK HEIGHTS MAY BE AVAILABLE UPON REQUEST.
 8. REFER TO MOLEX SALES DRAWING SD-76055-001 FOR THE MATING HEADERS.
 9. REFER TO MOLEX PCB ROUTING GUIDE AS-76060-990 FOR ANTIPAD AND ROUTING RECOMMENDATIONS.
 10. *THESE DIMENSIONS REPRESENT THE AREA NEEDED TO ACCOMMODATE CONNECTOR INSERTION & REPAIR ON THE PC BOARD. THIS IS REFERRED TO AS THE "CONNECTOR KEEP OUT ZONE" AND DOES NOT REPRESENT THE ACTUAL PERIMETER OF THE CONNECTOR. WHEN LAYING OUT A PC BOARD WITH CONNECTORS STACKED TOGETHER, USE A 1.90mm PROGRESSION.*



PROPOSED EC NO: UCP2017-2750 DRAWN: MCARRANZA 2012/04/11 CHKD: APPR: MCARRANZA 2017/06/20 REV 1	QUALITY SYMBOLS ▽=0 ▽=0	GENERAL TOLERANCES (UNLESS SPECIFIED)		DIMENSION STYLE MM ONLY	SCALE 4:1	DESIGN UNITS METRIC	THIRD ANGLE PROJECTION	
				DRAWN BY MCARRANZA	DATE 2012/04/11	TITLE IMPACT XTR 5-PAIR VERTICAL MEZZANINE UNGUIDED SALES DWG		
				CHECKED BY	DATE			
				APPROVED BY MCARRANZA		DATE 2017/06/20	MOLEX INCORPORATED DOCUMENT NO. SD-171590-001	
		ANGULAR ±1/2°		MATERIAL NO.		SHEET NO. 1 OF 2		
		DRAFT WHERE APPLICABLE MUST REMAIN WITHIN DIMENSIONS		SEE CHART		THIS DRAWING CONTAINS INFORMATION THAT IS PROPRIETARY TO MOLEX INCORPORATED AND SHOULD NOT BE USED WITHOUT WRITTEN PERMISSION		

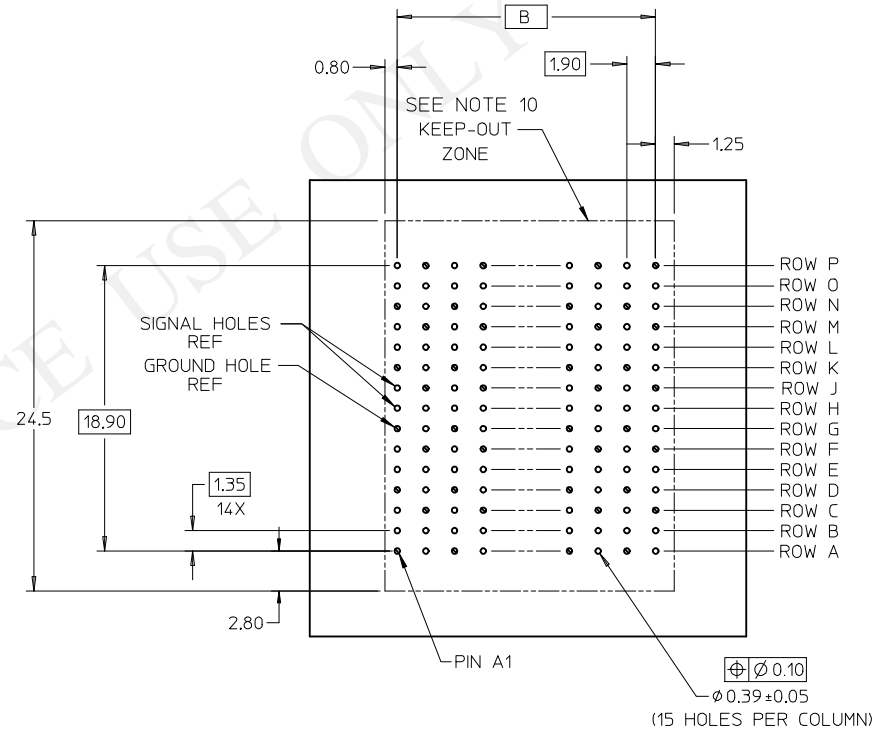
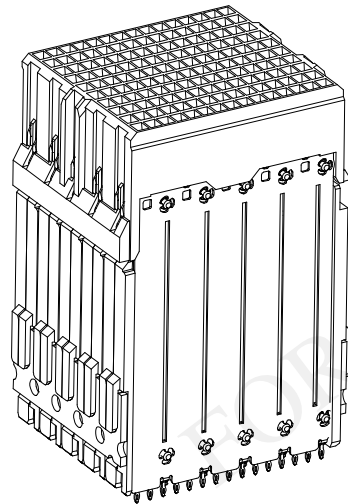
PART NUMBER	# OF COLUMNS	# OF DIFF PAIR	DIM "A"	DIM "B"	DIM "C"	STACK HEIGHT (H)
171590-1040	10	50	19.0	17.10	37.36	40.00
171590-1042	12	60	22.8	20.90	37.36	40.00
171590-1047	14	70	26.6	24.70	37.36	40.00
171590-1046	16	80	30.4	28.50	37.36	40.00

171590-104*

1 = OPEN LEAD-FREE

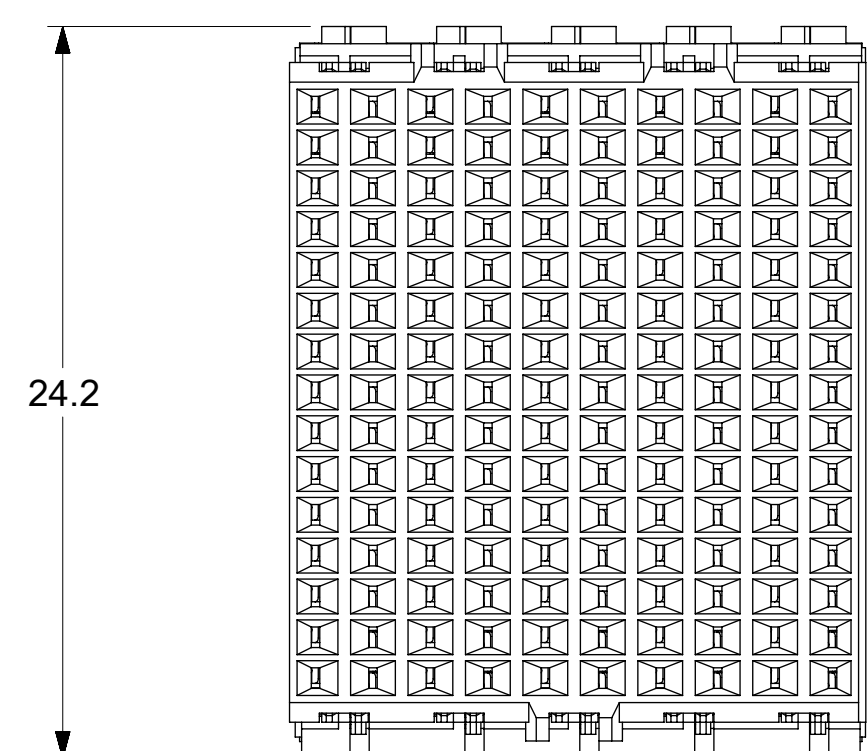
STACK HEIGHT
4 = 40mm

OF COLUMNS
0 = 10 COL MICRO COMPLIANT
2 = 12 COL MICRO COMPLIANT
6 = 16 COL MICRO COMPLIANT
7 = 14 COL MICRO COMPLIANT

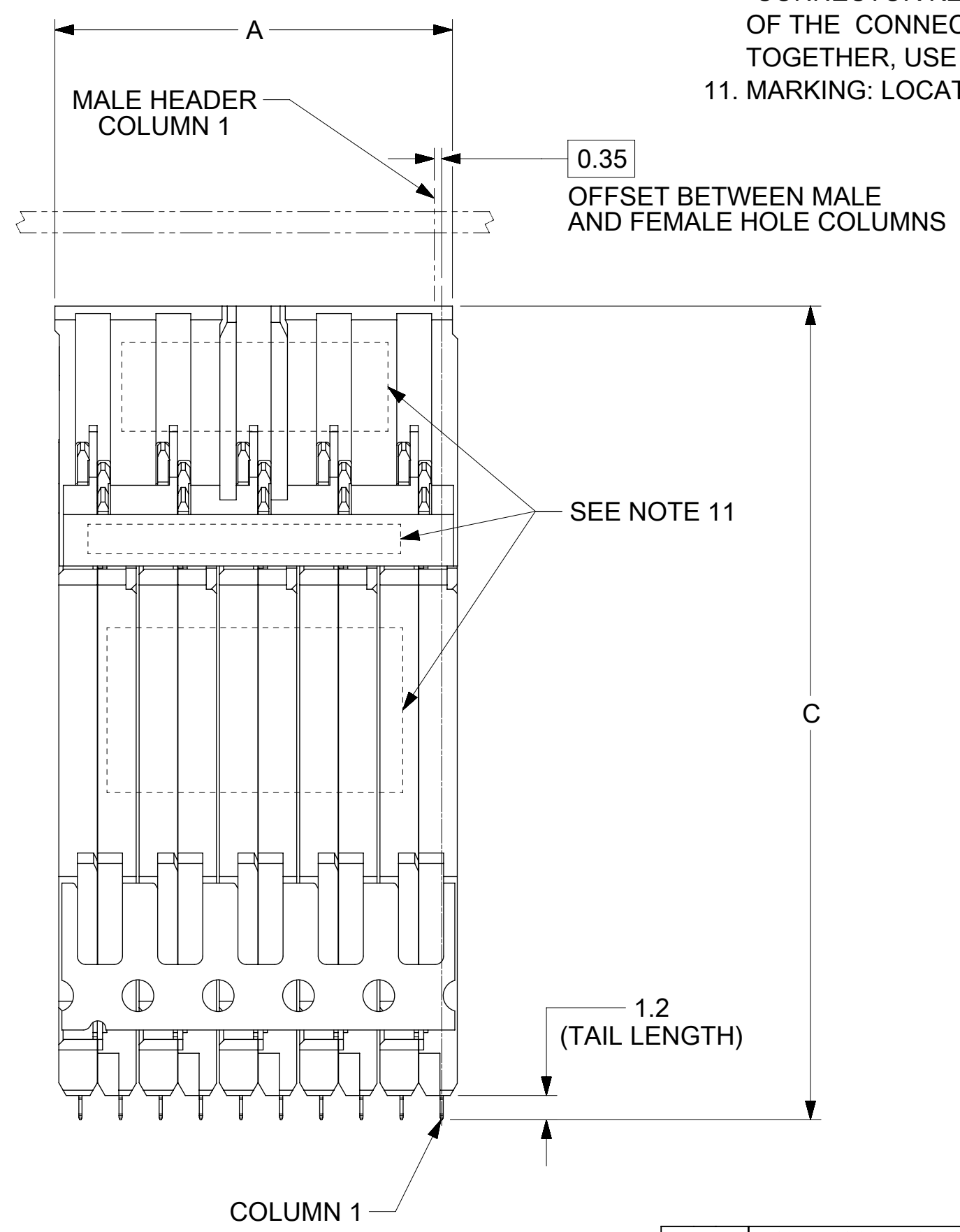
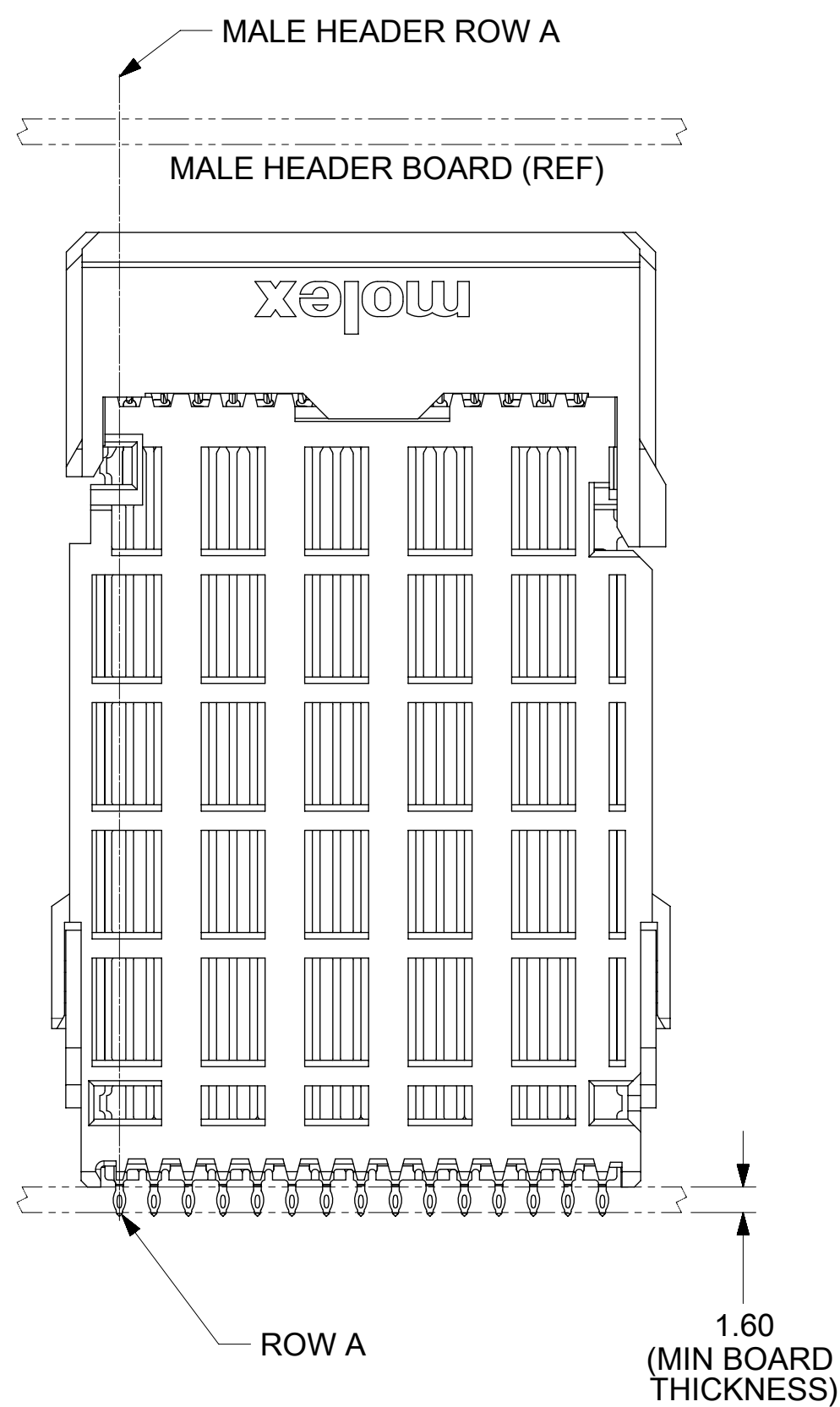


VERTICAL FEMALE HOLE PATTERN
(CONNECTOR SIDE)

SEE SHEET 1 EC NO: UCP2017-2750 DRAWN: MCARRANZA 2012/04/11 CHKD: APPR: MCARRANZA 2017/06/20 REV 1	QUALITY SYMBOLS	GENERAL TOLERANCES (UNLESS SPECIFIED)	DIMENSION STYLE MM ONLY	SCALE 3:1	DESIGN UNITS METRIC	THIRD ANGLE PROJECTION																											
	$\nabla=0$ $\nabla=0$	<table border="1"> <thead> <tr> <th></th> <th>mm</th> <th>INCH</th> </tr> </thead> <tbody> <tr> <td>4 PLACES</td> <td>± 0.10</td> <td>± 0.004</td> </tr> <tr> <td>3 PLACES</td> <td>± 0.15</td> <td>± 0.006</td> </tr> <tr> <td>2 PLACES</td> <td>± 0.25</td> <td>± 0.010</td> </tr> <tr> <td>1 PLACE</td> <td>± 0.50</td> <td>± 0.020</td> </tr> </tbody> </table>		mm	INCH	4 PLACES	± 0.10	± 0.004	3 PLACES	± 0.15	± 0.006	2 PLACES	± 0.25	± 0.010	1 PLACE	± 0.50	± 0.020	<table border="1"> <tr> <td>DRAWN BY</td> <td>DATE</td> </tr> <tr> <td>MCARRANZA</td> <td>2012/04/11</td> </tr> <tr> <td>CHECKED BY</td> <td>DATE</td> </tr> <tr> <td></td> <td></td> </tr> <tr> <td>APPROVED BY</td> <td>DATE</td> </tr> <tr> <td>MCARRANZA</td> <td>2017/06/20</td> </tr> </table>	DRAWN BY	DATE	MCARRANZA	2012/04/11	CHECKED BY	DATE			APPROVED BY	DATE	MCARRANZA	2017/06/20	IMPACT XTR 5-PAIR VERTICAL MEZZANINE UNGUIDED SALES DWG		
		mm	INCH																														
	4 PLACES	± 0.10	± 0.004																														
3 PLACES	± 0.15	± 0.006																															
2 PLACES	± 0.25	± 0.010																															
1 PLACE	± 0.50	± 0.020																															
DRAWN BY	DATE																																
MCARRANZA	2012/04/11																																
CHECKED BY	DATE																																
APPROVED BY	DATE																																
MCARRANZA	2017/06/20																																
	ANGULAR $\pm 1/2^\circ$	DRAFT WHERE APPLICABLE MUST REMAIN WITHIN DIMENSIONS	<table border="1"> <tr> <td>MATERIAL NO.</td> <td>DOCUMENT NO.</td> <td>SHEET NO.</td> </tr> <tr> <td></td> <td></td> <td>2 OF 2</td> </tr> </table>	MATERIAL NO.	DOCUMENT NO.	SHEET NO.			2 OF 2	MOLEX INCORPORATED SD-171590-001																							
MATERIAL NO.	DOCUMENT NO.	SHEET NO.																															
		2 OF 2																															
THIS DRAWING CONTAINS INFORMATION THAT IS PROPRIETARY TO MOLEX INCORPORATED AND SHOULD NOT BE USED WITHOUT WRITTEN PERMISSION																																	



- NOTES:
1. MATERIALS: HOUSING - LIQUID CRYSTAL POLYMER (LCP), GLASS-FILLED, UL94V-0
TERMINALS - HIGH PERFORMANCE COPPER ALLOY
 2. FINISH: 30μIN SELECTIVE GOLD IN CONTACT AREA. SELECTIVE MATTE TIN ON PCB TAILS. NICKEL OVERALL.
 3. EACH SIGNAL WAFER CONTAINS 2 COLUMNS OF TERMINALS.
 4. PRODUCT SHALL BE PACKAGED PER PK-70873-0040 (40mm), PK-70873-0042 (28mm) OR PK-70873-0043 (38mm).
 5. FOR FURTHER INFORMATION SEE PRODUCT SPECIFICATION PS-76060-999.
 6. THIS PART CONFORMS TO CLASS B REQUIREMENTS OF COSMETIC SPEC PS-45499-002.
 7. PART SHOWN HAS AN OVERALL STACK HEIGHT OF 40mm. VARYING STACK HEIGHTS MAY BE AVAILABLE UPON REQUEST.
 8. REFER TO MOLEX SALES DRAWING SD-76055-001 FOR THE MATING HEADERS.
 9. REFER TO MOLEX PCB ROUTING GUIDE AS-76060-990 FOR ANTIPAD AND ROUTING RECOMMENDATIONS.
 10. "THESE DIMENSIONS REPRESENT THE AREA NEEDED TO ACCOMMODATE CONNECTOR INSERTION & REPAIR ON THE PC BOARD. THIS IS REFERRED TO AS THE "CONNECTOR KEEP OUT ZONE" AND DOES NOT REPRESENT THE ACTUAL PERIMETER OF THE CONNECTOR. WHEN LAYING OUT A PC BOARD WITH CONNECTORS STACKED TOGETHER, USE A 1.90mm PROGRESSION."
 11. MARKING: LOCATED APPROXIMATELY AS SHOWN. PART NUMBER AND DATE CODE.



SYMBOLS		THIS DRAWING CONTAINS INFORMATION THAT IS PROPRIETARY TO MOLEX ELECTRONIC TECHNOLOGIES, LLC AND SHOULD NOT BE USED WITHOUT WRITTEN PERMISSION		CURRENT REV DESC: MIGRATED TO NX		molex	
▽ = 0	MM	SCALE	3:1	EC NO: 600815			
▽ = 0	GENERAL TOLERANCES (UNLESS SPECIFIED)			DRWN: CCV		2018/03/16	
▽ = 0	ANGULAR TOL ± 0.5°			CHK'D: TELO		2018/07/16	
▽ = 0	4 PLACES ±			APPR: TELO		2018/07/16	
▽ = 0	3 PLACES ±			INITIAL REVISION:		PRODUCT CUSTOMER DRAWING	
▽ = 0	2 PLACES ± 0.13			DRWN: JONIAK		DOCUMENT NUMBER	
▽ = 0	1 PLACE ± 0.25			APPR: JLAURX		SD-76530-001	
▽ = 0	0 PLACES ±			2008/11/14		DOC TYPE	
▽ = 0	DRAFT WHERE APPLICABLE MUST REMAIN WITHIN DIMENSIONS	THIRD ANGLE PROJECTION		DRAWING		DOC PART	
▽ = 0		C-SIZE		SERIES		REVISION	
		76530		MATERIAL NUMBER		SD-76530-001	
		SEE TABLE		CUSTOMER		PSD 001 F4	
		GENERAL MARKET		SHEET NUMBER		1 OF 2	

PART NUMBER	# OF COLUMNS	# OF DIFF PAIR	DIM "A"	DIM "B"	DIM "C"	STACK HEIGHT (H)
76530-*020	10	50	19.0	17.10	25.36	28.00
76530-*022	12	60	22.8	20.90	25.36	28.00
76530-*027	14	70	26.6	24.70	25.36	28.00
76530-*026	16	80	30.4	28.50	25.36	28.00
76530-*030	10	50	19.0	17.10	35.36	38.00
76530-*032	12	60	22.8	20.90	35.36	38.00
76530-*037	14	70	26.6	24.70	35.36	38.00
76530-*036	16	80	30.4	28.50	35.36	38.00
76530-*040	10	50	19.0	17.10	37.36	40.00
76530-*042	12	60	22.8	20.90	37.36	40.00
76530-*047	14	70	26.6	24.70	37.36	40.00
76530-*046	16	80	30.4	28.50	37.36	40.00

76530-*0**

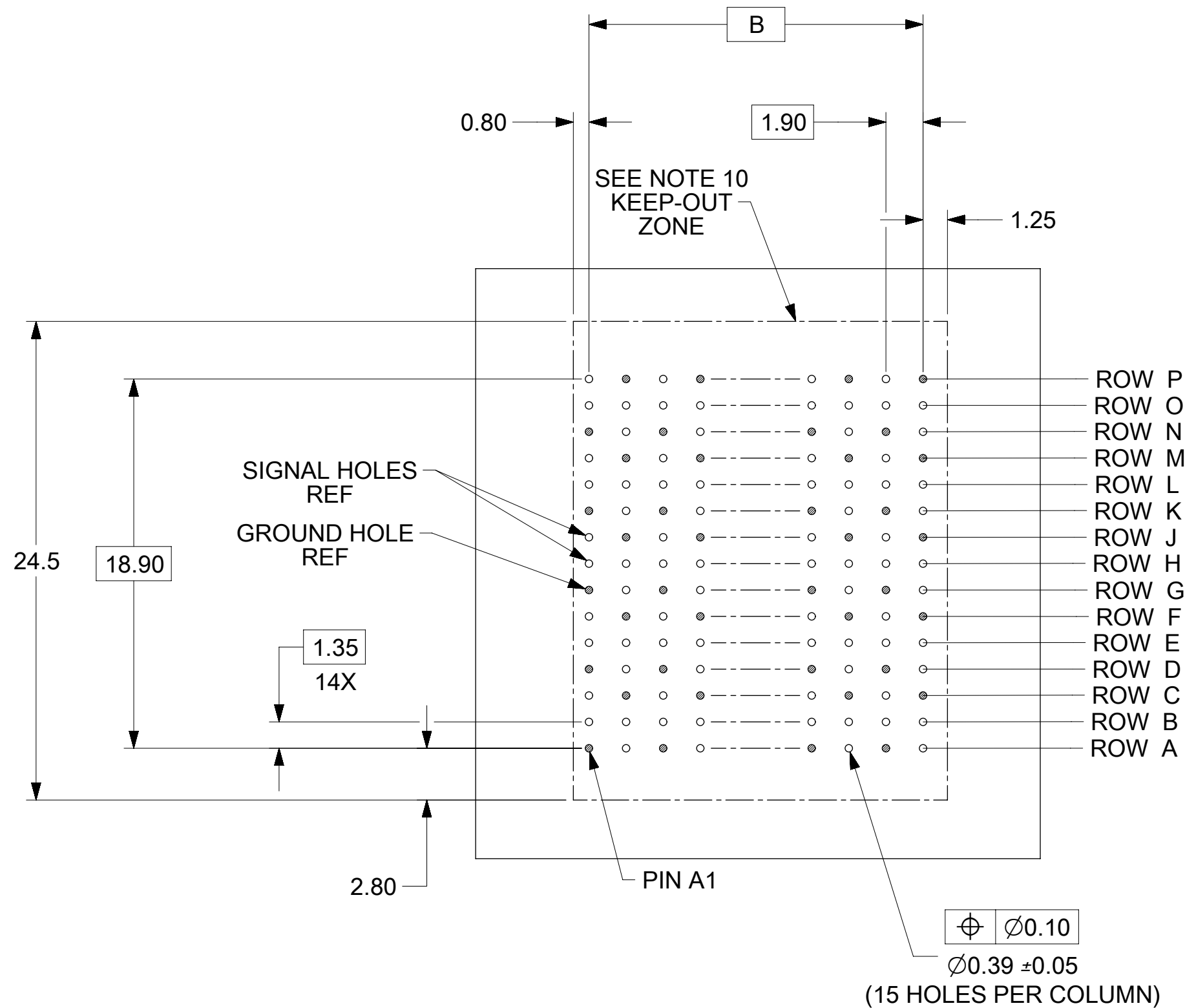
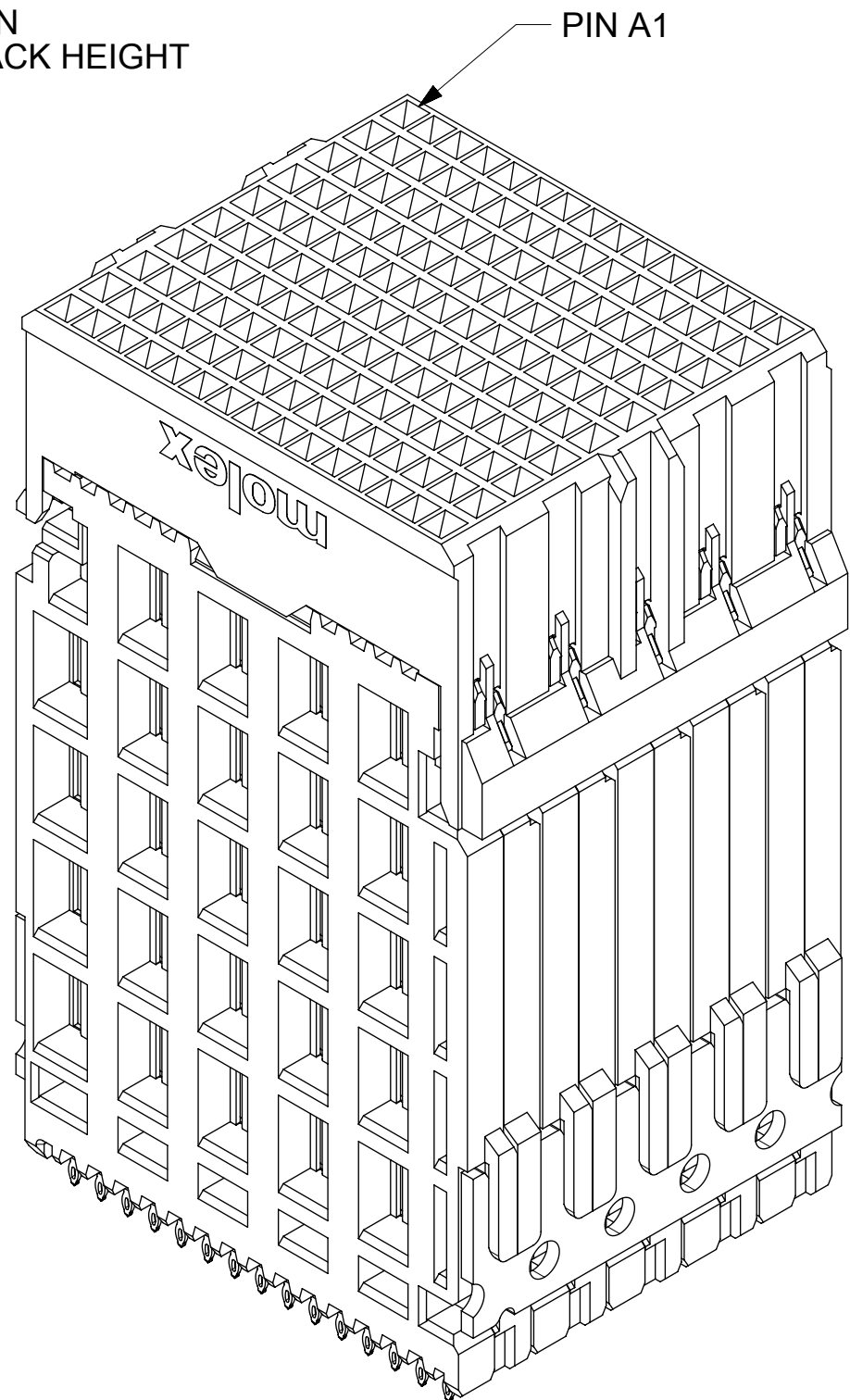
1 = OPEN LEAD-FREE

OF COLUMNS
 0 = 10 COL MICRO COMPLIANT
 2 = 12 COL MICRO COMPLIANT
 6 = 16 COL MICRO COMPLIANT
 7 = 14 COL MICRO COMPLIANT

STACK HEIGHT
 2 = 28mm
 3 = 38mm
 4 = 40mm

10 COLUMN
 40 MM STACK HEIGHT

PIN A1



VERTICAL FEMALE HOLE PATTERN
 (CONNECTOR SIDE)

SYMBOLS	THIS DRAWING CONTAINS INFORMATION THAT IS PROPRIETARY TO MOLEX ELECTRONIC TECHNOLOGIES, LLC AND SHOULD NOT BE USED WITHOUT WRITTEN PERMISSION		
	DIMENSION UNITS	SCALE	CURRENT REV DESC: MIGRATED TO NX
▽ = 0	MM	3:1	
▽ = 0	GENERAL TOLERANCES (UNLESS SPECIFIED)		
▽ = 0	ANGULAR TOL	± 0.5°	EC NO: 600815
▽ = 0	4 PLACES	±	DRWN: CCV 2018/03/16
▽ = 0	3 PLACES	±	CHK'D: TELO 2018/07/16
▽ = 0	2 PLACES	± 0.13	APPR: TELO 2018/07/16
▽ = 0	1 PLACE	± 0.25	INITIAL REVISION:
▽ = 0	0 PLACES	±	DRWN: JONIAK 2008/11/14
▽ = 0	DRAFT WHERE APPLICABLE MUST REMAIN WITHIN DIMENSIONS	THIRD ANGLE PROJECTION	APPR: JLAURX 2010/02/01
▽ = 0		DRAWING	SERIES
		C-SIZE	76530

PRODUCT CUSTOMER DRAWING			
DOCUMENT NUMBER	DOC TYPE	DOC PART	REVISION
SD-76530-001	PSD	001	F4
MATERIAL NUMBER	CUSTOMER	SHEET NUMBER	
SEE TABLE	GENERAL MARKET	2 OF 2	