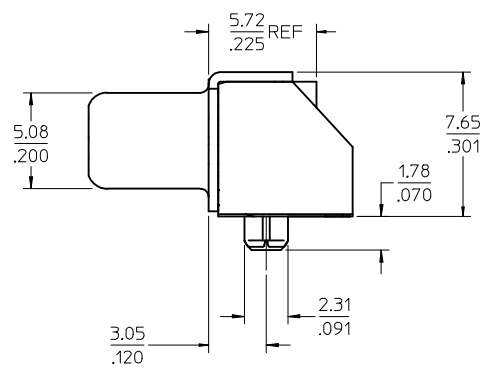
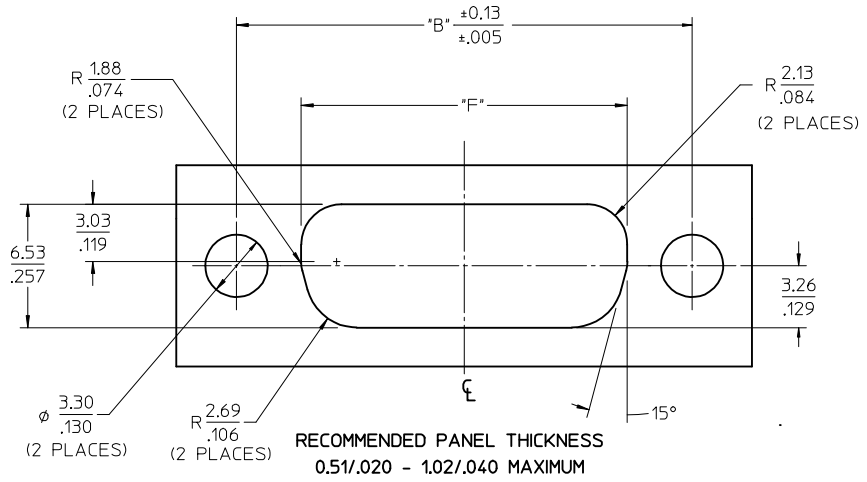
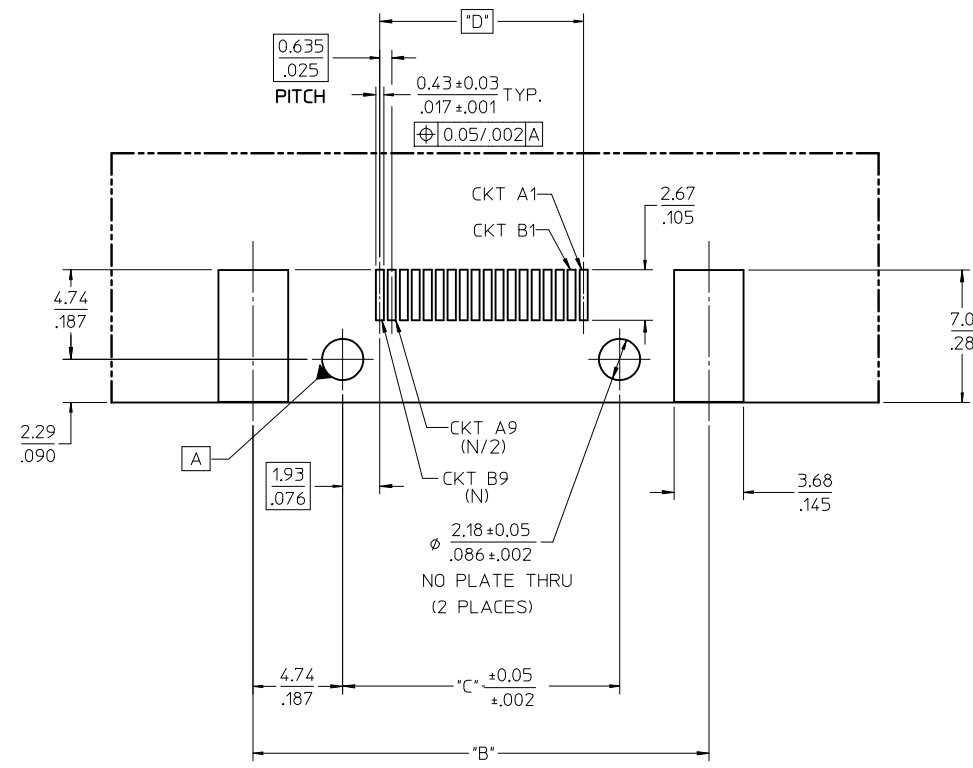


NOTES:

1. MATERIALS:
 - SHIELD - DEEP DRAWN STEEL
 - HOUSING - GLASS FILLED POLYMER, BLACK, UL 94V-0
 - CONTACTS - COPPER ALLOY
 - JACKPOST - STAINLESS STEEL
 - THREADED INSERT - BRASS
2. PLATING:
 - TERMINALS - SELECTIVE GOLD (Au) THICKNESS IN CONTACT AREA, 0.38 MICROMETERS/15 MICROINCHES MINIMUM;
 - SELECTIVE MATTE TIN (Sn) THICKNESS IN PC TAIL AREA, 2.54 MICROMETERS/100 MICROINCHES MINIMUM;
 - OVER NICKEL (Ni) UNDERPLATE OVERALL.
 - SHIELD - 2.54 MICROMETERS/100 MICROINCHES MINIMUM MATTE TIN (Sn) OVER 1.27 MICROMETERS/50 MICROINCHES MINIMUM NICKEL (Ni) OVER COPPER (Cu) UNDERPLATE OVERALL.
3. PC SMT TAILS AND 2 GROUND TABS ARE TO BE COPLANAR WITHIN 0.127/0.005.
4. PARTS TO BE PACKAGED IN TAPE AND REEL. SEE CHART ON SHEET 2 FOR PACKAGING SPECIFICATION.
5. REFER TO SHEET 2 FOR RECOMMENDED PCB LAYOUT AND PANEL CUT-OUT.
6. PRODUCT CONFORMS TO MOLEX PRODUCT SPECIFICATION PS-74960-000.
7. FOR TDP RECEPTACLE WITH M3 INTERNAL THREAD OPTION CONTACT PRODUCT MARKETING.



MOD JACKPOST NUMBER EC NO: UCP2015-1626 DRWNT: IBARRA 2014/10/20 CHKD: MORGAN 2014/10/20 APPR: SMILLER 2014/11/12	QUALITY SYMBOLS ∇=0 ∇=0 ∇=0	GENERAL TOLERANCES (UNLESS SPECIFIED)		DIMENSION STYLE MM/IN	SCALE 5:1	DESIGN UNITS INCH	THIRD ANGLE PROJECTION
		4 PLACES ± --- ± ---	3 PLACES ± --- ± .010	DRAWN BY TIBARRA	DATE 2014/09/04	TITLE SALES DRAWING - PCIE/TDP SMT RECEPTACLE ASSEMBLY	
		2 PLACES ± 0.25 ± .015	1 PLACE ± 0.38 ± ---	CHECKED BY MPOFF	DATE 2014/09/04		
		0 PLACE ± --- ± ---	APPROVED BY SMILLER	DATE 2014/09/08	MATERIAL NO. SEE TABLE	DOCUMENT NO. RSD-74960-6018	
DRAFT WHERE APPLICABLE MUST REMAIN WITHIN DIMENSIONS		ANGULAR ±1/2°		THIS DRAWING CONTAINS INFORMATION THAT IS PROPRIETARY TO MOLEX INCORPORATED AND SHOULD NOT BE USED WITHOUT WRITTEN PERMISSION			



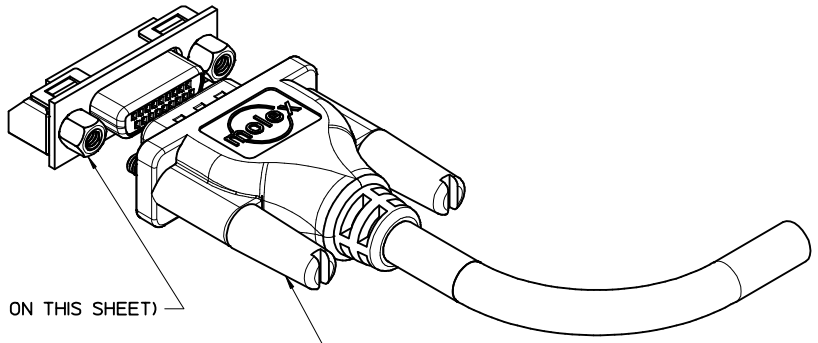
MATERIAL NUMBER	CIRCUIT SIZE	"A" DIMENSION	"B" DIMENSION	"C" DIMENSION	"D" DIMENSION	"E" DIMENSION	"F" DIMENSION	PACKAGING SPECIFICATION
74960-6018	18	30.48 1.200	24.13 .950	14.66 .577	10.80 .425	15.87 .625	17.27 .680	RPK-74960-6018

- NOTES:
- ALL DIMENSIONS ON THIS SHEET ARE ±0.13 TOLERANCE UNLESS OTHERWISE SPECIFIED.
 - DIMENSIONS SHOWN ABOUT A CENTERLINE ARE SYMMETRICAL ABOUT THAT CENTERLINE WITHIN HALF THE SPECIFIED TOLERANCE.
 - PEG HOLES CAN BE 2.18MM / .086IN TO RETAIN PART TO BOARD OR ENLARGED TO 2.4MM / .094IN TO ACT AS CLEARANCE HOLES. A FIXTURE MUST BE USED TO PREVENT PART TILTING DURING REFLOW IF HOLES ARE ENLARGED. REFER TO SECTION 8.1 IN APPLICATION SPECIFICATION AS-74960-100.

SEE SHEET 1 EC NO: UCP2015-1626 DRWNT: IBARRA 2014/10/20 CHKD: MORGAN 2014/10/20 APPR: MILLER 2014/11/12	QUALITY SYMBOLS ▽=0 ▽=0 ▽=0	GENERAL TOLERANCES (UNLESS SPECIFIED)		DIMENSION STYLE MM/IN	SCALE 5:1	DESIGN UNITS INCH	THIRD ANGLE PROJECTION	
		4 PLACES ± --- ± ---	3 PLACES ± --- ± .010	DRAWN BY TIBARRA	DATE 2014/09/04	TITLE SALES DRAWING - PCIE/TDP SMT RECEPTACLE ASSEMBLY		
		2 PLACES ± 0.25 ± .015	1 PLACE ± 0.38 ± ---	CHECKED BY MPOFF	DATE 2014/09/04	APPROVED BY MILLER		
		0 PLACE ± --- ± ---	ANGULAR ±1/2°	MATERIAL NO. SEE TABLE	DATE 2014/09/08	DOCUMENT NO. RSD-74960-6018	SHEET NO. 2 OF 3	
DRAFT WHERE APPLICABLE MUST REMAIN WITHIN DIMENSIONS		THIS DRAWING CONTAINS INFORMATION THAT IS PROPRIETARY TO MOLEX INCORPORATED AND SHOULD NOT BE USED WITHOUT WRITTEN PERMISSION						

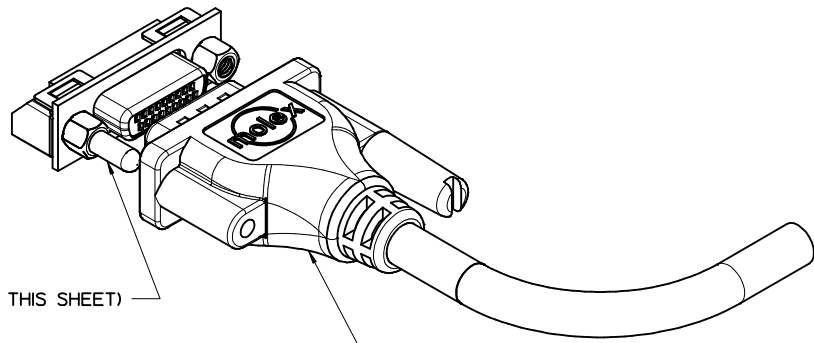
STANDARD CONFIGURATION

OPTIONAL CONFIGURATION



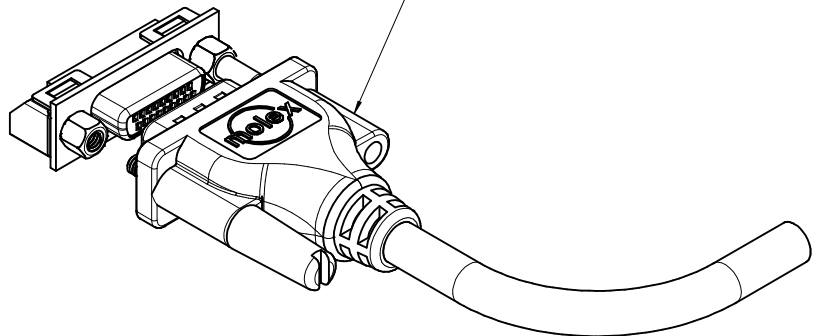
(SEE NOTE 1 ON THIS SHEET)

SEE SALES DRAWING SD-74576-000 FOR STANDARD CABLE PART NUMBER



(SEE NOTE 2 ON THIS SHEET)

SEE SALES DRAWING SD-74576-0300 FOR OPTIONAL CABLE PART NUMBER

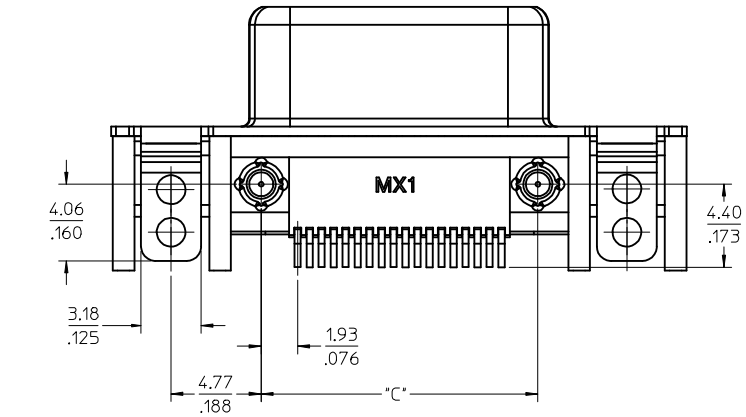
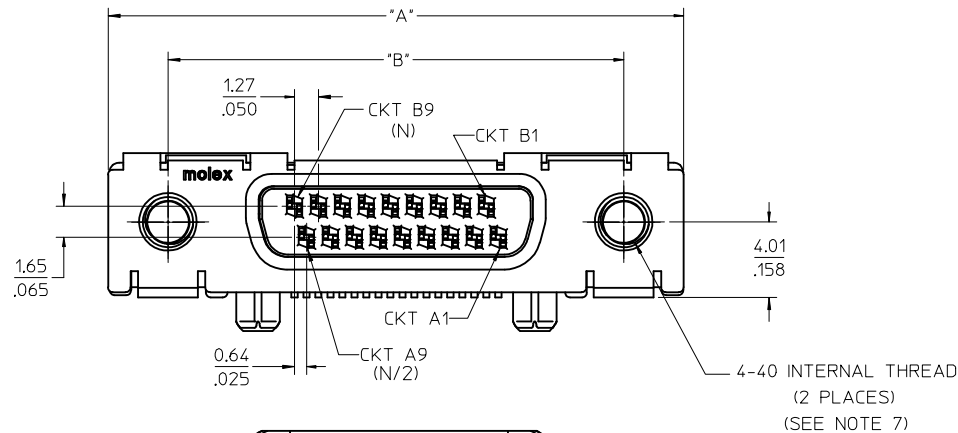
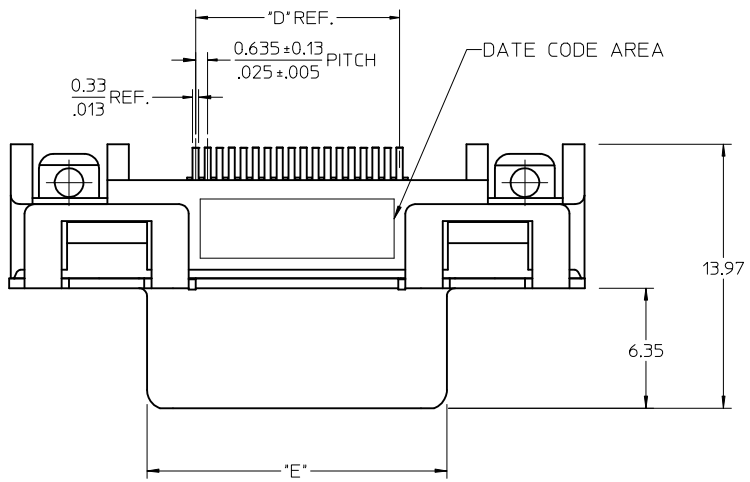


RECOMMENDED JACKPOST INTERNAL THREAD OPTIONS (SEE NOTE 1 ON THIS SHEET)		OPTIONAL JACKPOST POLARIZATION HARDWARE (SEE NOTE 2 ON THIS SHEET)
4-40	M3	
74962-1000	74962-2000	74962-0100

4-40 THREAD INTERNAL THREAD	4-40 THREAD

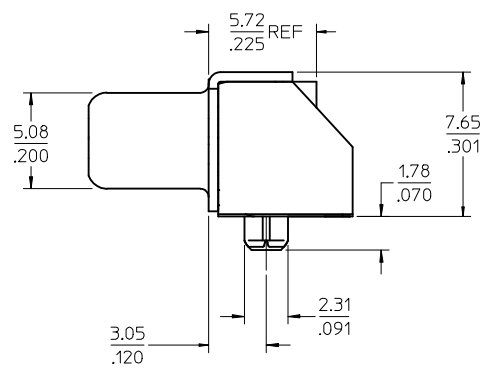
1. RECOMMENDED JACK POST MOUNTING HARDWARE (QTY 2 PER ASSEMBLY), SEE CHART FOR ITEM NUMBERS AND SALES DRAWING SD-74962-000.
2. OPTIONAL JACK POST POLARIZATION HARDWARE,(QTY 1 PER ASSEMBLY), SEE CHART FOR ITEM NUMBER AND SALES DRAWING SD-74962-100.

SEE SHEET 1 EC NO: UCP2015-1626 DRW: TIBARRA 2014/10/20 CHK: DMORGAN 2014/10/20 APPR: MILLER 2014/11/12	QUALITY SYMBOLS 	GENERAL TOLERANCES (UNLESS SPECIFIED) <table border="1"> <thead> <tr> <th></th> <th>mm</th> <th>INCH</th> </tr> </thead> <tbody> <tr> <td>4 PLACES</td> <td>± .---</td> <td>± .---</td> </tr> <tr> <td>3 PLACES</td> <td>± .---</td> <td>± .010</td> </tr> <tr> <td>2 PLACES</td> <td>± 0.25</td> <td>± .015</td> </tr> <tr> <td>1 PLACE</td> <td>± 0.38</td> <td>± .---</td> </tr> <tr> <td>0 PLACE</td> <td>± .---</td> <td>± .---</td> </tr> </tbody> </table>		mm	INCH	4 PLACES	± .---	± .---	3 PLACES	± .---	± .010	2 PLACES	± 0.25	± .015	1 PLACE	± 0.38	± .---	0 PLACE	± .---	± .---	DIMENSION STYLE MM/IN	SCALE 4:1	DESIGN UNITS INCH	THIRD ANGLE PROJECTION
		mm	INCH																					
	4 PLACES	± .---	± .---																					
	3 PLACES	± .---	± .010																					
2 PLACES	± 0.25	± .015																						
1 PLACE	± 0.38	± .---																						
0 PLACE	± .---	± .---																						
DRAWN BY TIBARRA	DATE 2014/09/04	TITLE SALES DRAWING - PCIE/TDP SMT RECEPTACLE ASSEMBLY		DOCUMENT NO. RSD-74960-6018		SHEET NO. 3 OF 3																		
CHECKED BY MPOFF		DATE 2014/09/04		APPROVED BY MILLER																				
DATE 2014/09/08		MATERIAL NO. SEE TABLE		THIS DRAWING CONTAINS INFORMATION THAT IS PROPRIETARY TO MOLEX INCORPORATED AND SHOULD NOT BE USED WITHOUT WRITTEN PERMISSION																				

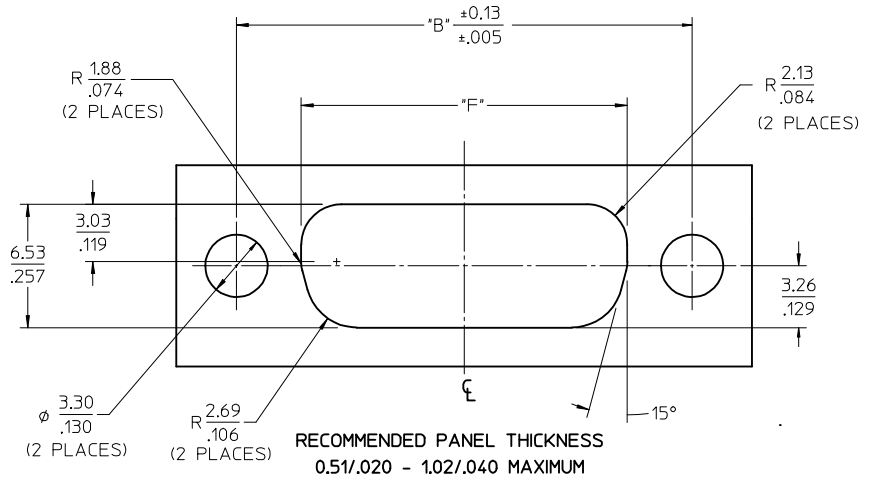
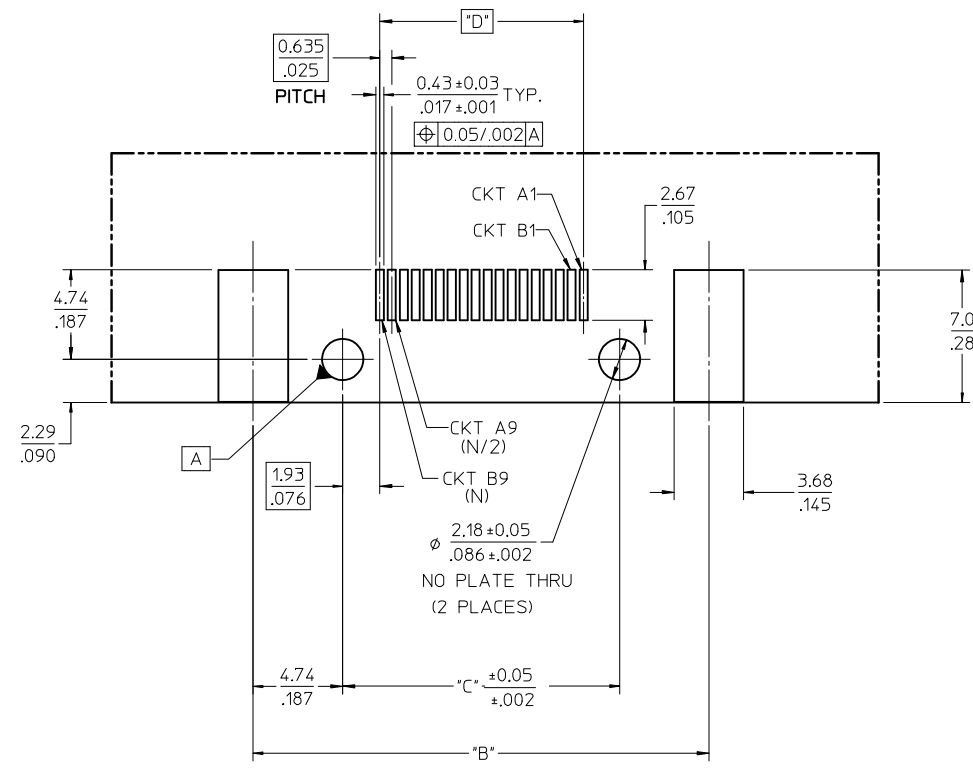


NOTES:

1. MATERIALS:
 - SHIELD - DEEP DRAWN STEEL
 - HOUSING - GLASS FILLED POLYMER, BLACK, UL 94V-0
 - CONTACTS - COPPER ALLOY
 - JACKPOST - STAINLESS STEEL
 - THREADED INSERT - BRASS
2. PLATING:
 - TERMINALS - SELECTIVE GOLD (Au) THICKNESS IN CONTACT AREA, 0.38 MICROMETERS/15 MICROINCHES MINIMUM;
 - SELECTIVE MATTE TIN (Sn) THICKNESS IN PC TAIL AREA, 2.54 MICROMETERS/100 MICROINCHES MINIMUM;
 - OVER NICKEL (Ni) UNDERPLATE OVERALL.
 - SHIELD - 2.54 MICROMETERS/100 MICROINCHES MINIMUM MATTE TIN (Sn) OVER 1.27 MICROMETERS/50 MICROINCHES MINIMUM NICKEL (Ni) OVER COPPER (Cu) UNDERPLATE OVERALL.
3. PC SMT TAILS AND 2 GROUND TABS ARE TO BE COPLANAR WITHIN 0.127/0.005.
4. PARTS TO BE PACKAGED IN TAPE AND REEL. SEE CHART ON SHEET 2 FOR PACKAGING SPECIFICATION.
5. REFER TO SHEET 2 FOR RECOMMENDED PCB LAYOUT AND PANEL CUT-OUT.
6. PRODUCT CONFORMS TO MOLEX PRODUCT SPECIFICATION PS-74960-000.
7. FOR TDP RECEPTACLE WITH M3 INTERNAL THREAD OPTION CONTACT PRODUCT MARKETING.



MOD JACKPOST NUMBER EC NO: UCP2015-1626 DRWNT: IBARRA 2014/10/20 CHKD: MORGAN 2014/10/20 APPR: SMILLER 2014/11/12	QUALITY SYMBOLS ∇=0 ∇=0 ∇=0	GENERAL TOLERANCES (UNLESS SPECIFIED)		DIMENSION STYLE MM/IN		SCALE 5:1	DESIGN UNITS INCH	THIRD ANGLE PROJECTION	
		4 PLACES ± --- ± --- 3 PLACES ± --- ± .010 2 PLACES ± 0.25 ± .015 1 PLACE ± 0.38 ± --- 0 PLACE ± --- ± ---		DRAWN BY DATE TIBARRA 2014/09/04		TITLE SALES DRAWING - PCIE/TDP SMT RECEPTACLE ASSEMBLY			
		ANGULAR ±1/2°		CHECKED BY DATE MPOFF 2014/09/04		APPROVED BY DATE SMILLER 2014/09/08			
		DRAFT WHERE APPLICABLE MUST REMAIN WITHIN DIMENSIONS		MATERIAL NO. SEE TABLE		DOCUMENT NO. RSD-74960-6018		SHEET NO. 1 OF 3	



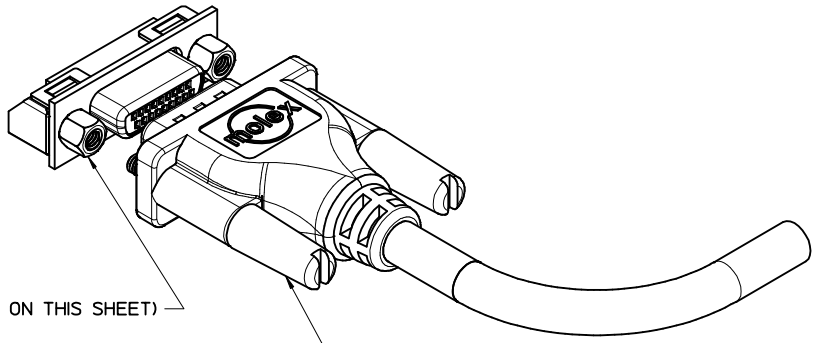
MATERIAL NUMBER	CIRCUIT SIZE	"A" DIMENSION	"B" DIMENSION	"C" DIMENSION	"D" DIMENSION	"E" DIMENSION	"F" DIMENSION	PACKAGING SPECIFICATION
74960-6018	18	30.48 1.200	24.13 .950	14.66 .577	10.80 .425	15.87 .625	17.27 .680	RPK-74960-6018

- NOTES:
- ALL DIMENSIONS ON THIS SHEET ARE ±0.13 TOLERANCE UNLESS OTHERWISE SPECIFIED.
 - DIMENSIONS SHOWN ABOUT A CENTERLINE ARE SYMMETRICAL ABOUT THAT CENTERLINE WITHIN HALF THE SPECIFIED TOLERANCE.
 - PEG HOLES CAN BE 2.18MM / .086IN TO RETAIN PART TO BOARD OR ENLARGED TO 2.4MM / .094IN TO ACT AS CLEARANCE HOLES. A FIXTURE MUST BE USED TO PREVENT PART TILTING DURING REFLOW IF HOLES ARE ENLARGED. REFER TO SECTION 8.1 IN APPLICATION SPECIFICATION AS-74960-100.

SEE SHEET 1 EC NO: UCP2015-1626 DRWNT: IBARRA 2014/10/20 CHKD: MORGAN 2014/10/20 APPR: MILLER 2014/11/12	QUALITY SYMBOLS ▽=0 ▽=0 ▽=0	GENERAL TOLERANCES (UNLESS SPECIFIED)		DIMENSION STYLE MM/IN		SCALE 5:1	DESIGN UNITS INCH	THIRD ANGLE PROJECTION		
				mm	INCH	DRAWN BY TIBARRA	DATE 2014/09/04	TITLE SALES DRAWING - PCIE/TDP SMT RECEPTACLE ASSEMBLY		
				4 PLACES ±---	±---	CHECKED BY MPOFF	DATE 2014/09/04			
				3 PLACES ±---	±.010	APPROVED BY SMILLER	DATE 2014/09/08			
		2 PLACES ±0.25	±.015	MATERIAL NO. SEE TABLE		DOCUMENT NO. RSD-74960-6018		SHEET NO. 2 OF 3		
		1 PLACE ±0.38	±---	DRAFT WHERE APPLICABLE MUST REMAIN WITHIN DIMENSIONS						
		0 PLACE ±---	±---	THIS DRAWING CONTAINS INFORMATION THAT IS PROPRIETARY TO MOLEX INCORPORATED AND SHOULD NOT BE USED WITHOUT WRITTEN PERMISSION						

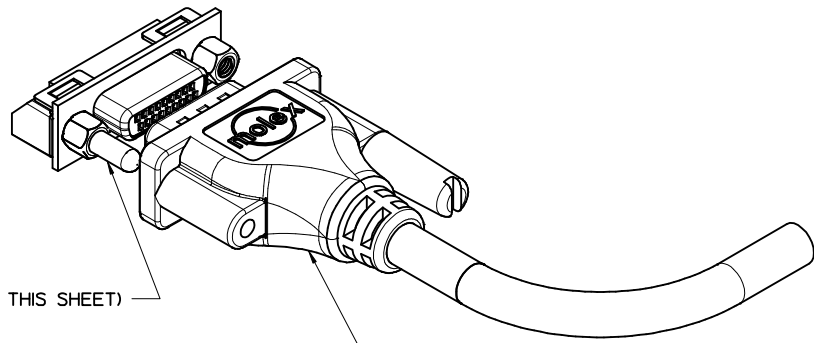
STANDARD CONFIGURATION

OPTIONAL CONFIGURATION



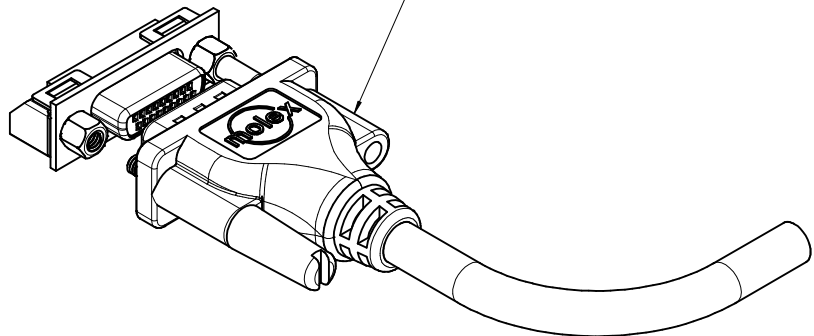
(SEE NOTE 1 ON THIS SHEET)

SEE SALES DRAWING SD-74576-000 FOR STANDARD CABLE PART NUMBER



(SEE NOTE 2 ON THIS SHEET)

SEE SALES DRAWING SD-74576-0300 FOR OPTIONAL CABLE PART NUMBER



RECOMMENDED JACKPOST INTERNAL THREAD OPTIONS (SEE NOTE 1 ON THIS SHEET)		OPTIONAL JACKPOST POLARIZATION HARDWARE (SEE NOTE 2 ON THIS SHEET)
4-40	M3	
74962-1000	74962-2000	74962-0100
<p>4-40 THREAD INTERNAL THREAD</p>		<p>4-40 THREAD</p>

1. RECOMMENDED JACK POST MOUNTING HARDWARE (QTY 2 PER ASSEMBLY), SEE CHART FOR ITEM NUMBERS AND SALES DRAWING SD-74962-000.
2. OPTIONAL JACK POST POLARIZATION HARDWARE,(QTY 1 PER ASSEMBLY), SEE CHART FOR ITEM NUMBER AND SALES DRAWING SD-74962-100.

SEE SHEET 1 EC NO: UCP2015-1626 DRW: TIBARRA 2014/10/20 CHK: DMORGAN 2014/10/20 APPR: MILLER 2014/11/12	QUALITY SYMBOLS 	GENERAL TOLERANCES (UNLESS SPECIFIED) <table border="1"> <tr> <th></th> <th>mm</th> <th>INCH</th> </tr> <tr> <td>4 PLACES</td> <td>± .005</td> <td>± .0004</td> </tr> <tr> <td>3 PLACES</td> <td>± .005</td> <td>± .010</td> </tr> <tr> <td>2 PLACES</td> <td>± 0.25</td> <td>± .015</td> </tr> <tr> <td>1 PLACE</td> <td>± 0.38</td> <td>± .015</td> </tr> <tr> <td>0 PLACE</td> <td>± .005</td> <td>± .0004</td> </tr> </table>		mm	INCH	4 PLACES	± .005	± .0004	3 PLACES	± .005	± .010	2 PLACES	± 0.25	± .015	1 PLACE	± 0.38	± .015	0 PLACE	± .005	± .0004	DIMENSION STYLE MM/IN	SCALE 4:1	DESIGN UNITS INCH	THIRD ANGLE PROJECTION
		mm	INCH																					
	4 PLACES	± .005	± .0004																					
	3 PLACES	± .005	± .010																					
2 PLACES	± 0.25	± .015																						
1 PLACE	± 0.38	± .015																						
0 PLACE	± .005	± .0004																						
DRAWN BY TIBARRA	DATE 2014/09/04	CHECKED BY MPOFF	DATE 2014/09/04	TITLE SALES DRAWING - PCIE/TDP SMT RECEPTACLE ASSEMBLY																				
APPROVED BY MILLER	DATE 2014/09/08	MATERIAL NO. SEE TABLE			DOCUMENT NO. RSD-74960-6018	SHEET NO. 3 OF 3																		
DRAFT WHERE APPLICABLE MUST REMAIN WITHIN DIMENSIONS																								