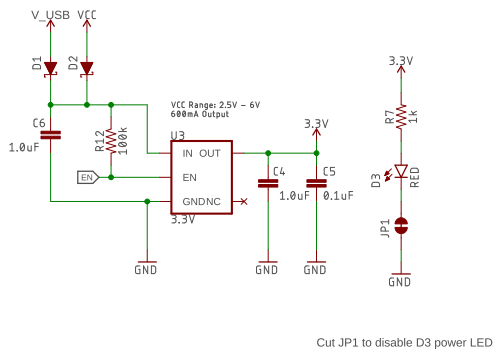
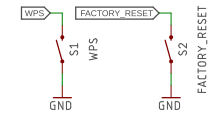


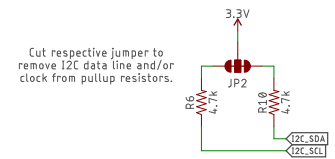
Power: AP2112



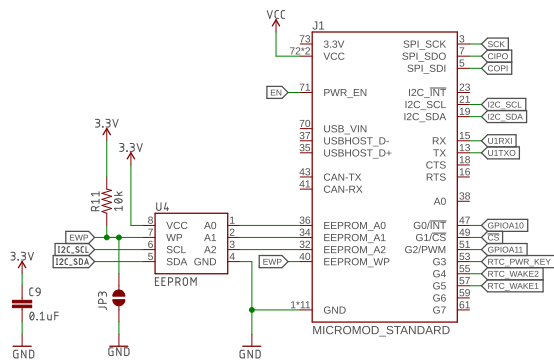
Buttons



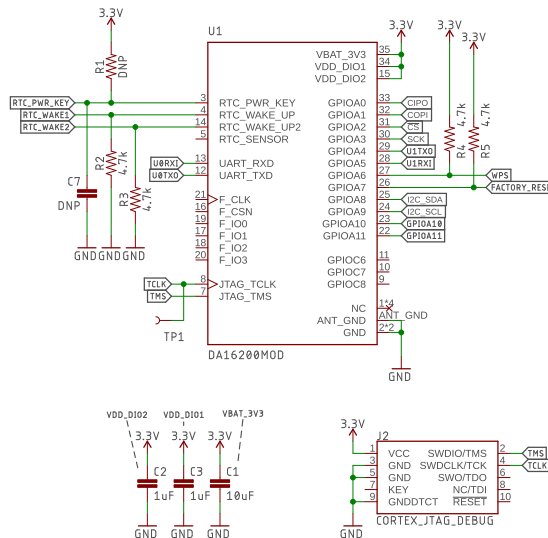
Jumpers



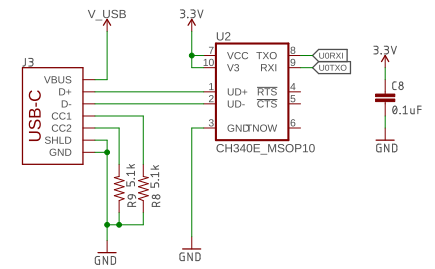
M.2 Connector Edge



DA16200 Module



USB-C Firmware Upload



Special Instructions

Released under the Creative Commons Attribution Share-Alike 4.0 License
<https://creativecommons.org/licenses/by-sa/4.0/>

TITLE: SparkFun_MicroMod_DA16200_Function

Design by: Alex Wende

REV: V10

Date: 10/22/2021 10:04 AM

Sheet: 1/1