

# RP8300 SERIES PUSHBUTTON SWITCH

ANTI-VANDAL SWITCHES  
DETECTOR SWITCHES  
DIP SWITCHES  
KEYLOCK SWITCHES  
NAVIGATION SWITCHES  
PUSHBUTTON SWITCHES  
ROCKER SWITCHES  
ROTARY SWITCHES  
SLIDE SWITCHES  
SNAP ACTION SWITCHES  
TACTILE SWITCHES  
TOGGLE SWITCHES  
CAP OPTIONS



## APPLICATIONS / MARKETS



Audio / Visual



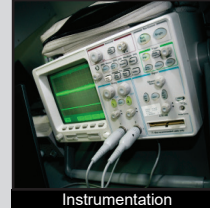
Electrical Housewares



Floor Care Appliances



White Goods



Instrumentation



Medical Equipment

# RoHS

## SPECIFICATIONS

**Electrical Rating:**  
500mA @ 48 VAC, 200mA @ 50 VDC, 200mA @ 250 VAC  
**Life Expectancy:** 500,000 Cycles  
**Contact Resistance:** 50mΩ Max.  
**Insulation Resistance:** 1,000MΩ Min. @ 500VDC  
**Dielectric Strength:** 1,500VAC for 1 minute  
**Operating Temperature:** -30°C to 85°C  
**Travel:** 1.5mm  
**Contact Arrangement:** SPST, Off-(On), Momentary  
**Actuation Force:** 350 gf  
**Panel Thickness:** 1.5mm - 4.0mm  
**Ingress Protection:** IP67

## FEATURES & BENEFITS

- Threaded mount
- 500,000 life expectancy
- LED illumination options
- Sealed to IP67 ratings
- Metal Diecast housing

## PART NUMBER CONFIGURATOR

Series	Bushing	Termination	Contact Material	Seal	Housing Color	Cap Color	LED Color
<input type="checkbox"/> <input type="checkbox"/> <input type="checkbox"/> <input type="checkbox"/> <input type="checkbox"/> RP8300 RP8301*	<input type="checkbox"/> <input type="checkbox"/> B2 - Threaded (12 x 0.75)	<input type="checkbox"/> <input type="checkbox"/> M1 - Standard	<input type="checkbox"/> C - Gold Over Silver	<input type="checkbox"/> E - Epoxy Sealed	<input type="checkbox"/> <input type="checkbox"/> <input type="checkbox"/> BLK - Black* NIC - Stain Nickel CHR - Chrome	<input type="checkbox"/> <input type="checkbox"/> <input type="checkbox"/> WHT - White BLK - Black RED - Red ORG - Orange YEL - Yellow GRN - Green BLU - Blue	<input type="checkbox"/> <input type="checkbox"/> <input type="checkbox"/> WHT - White LED RED - Red LED YEL - Yellow LED GRN - Green LED BLU - Blue LED GY - Green/Yellow LED RG - Red/Green LED RB - Red/Blue LED NIL - Non Illuminated*

\*The RP8201 series is only offered with a black housing color and is non-illuminated.

Specifications subject to change without notice 9.25.2019



**E-SWITCH®**

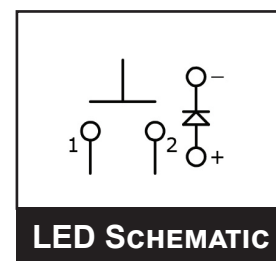
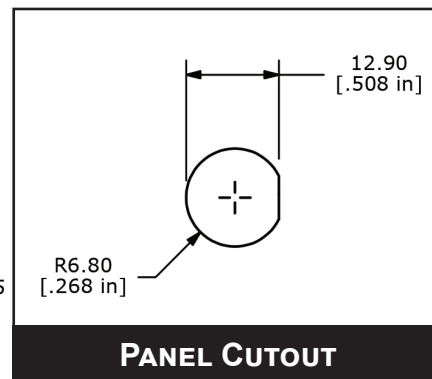
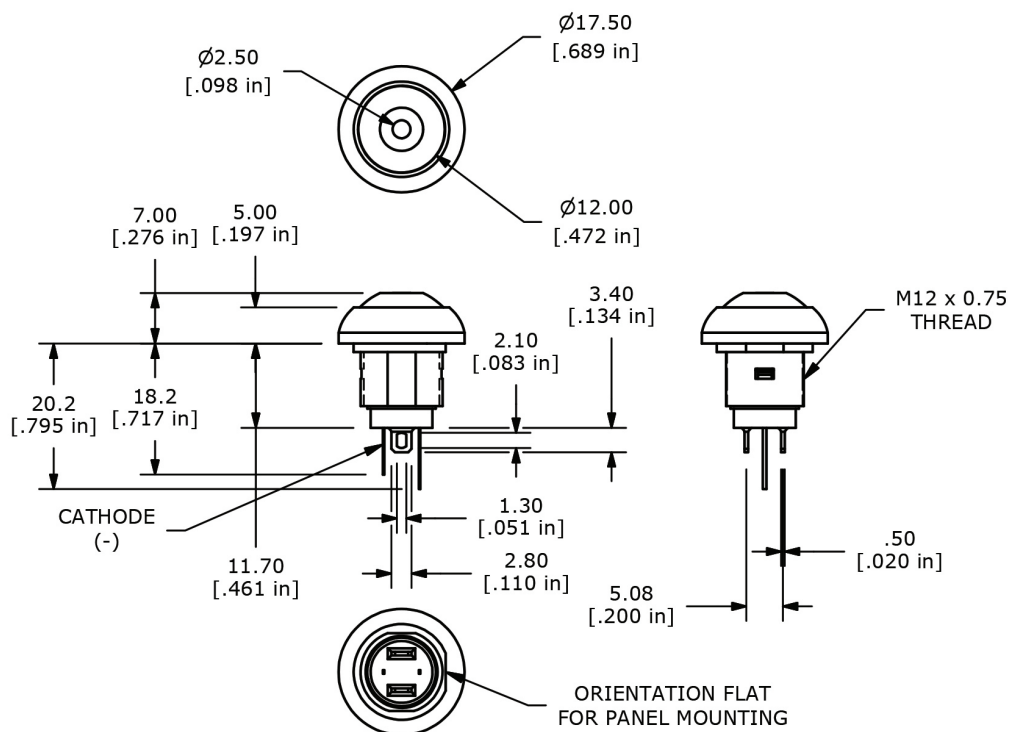
www.e-switch.com

800.867.2717

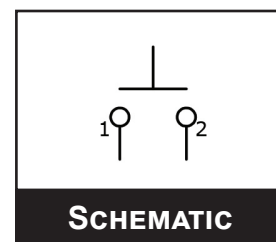
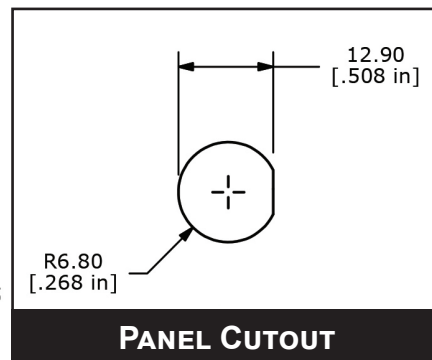
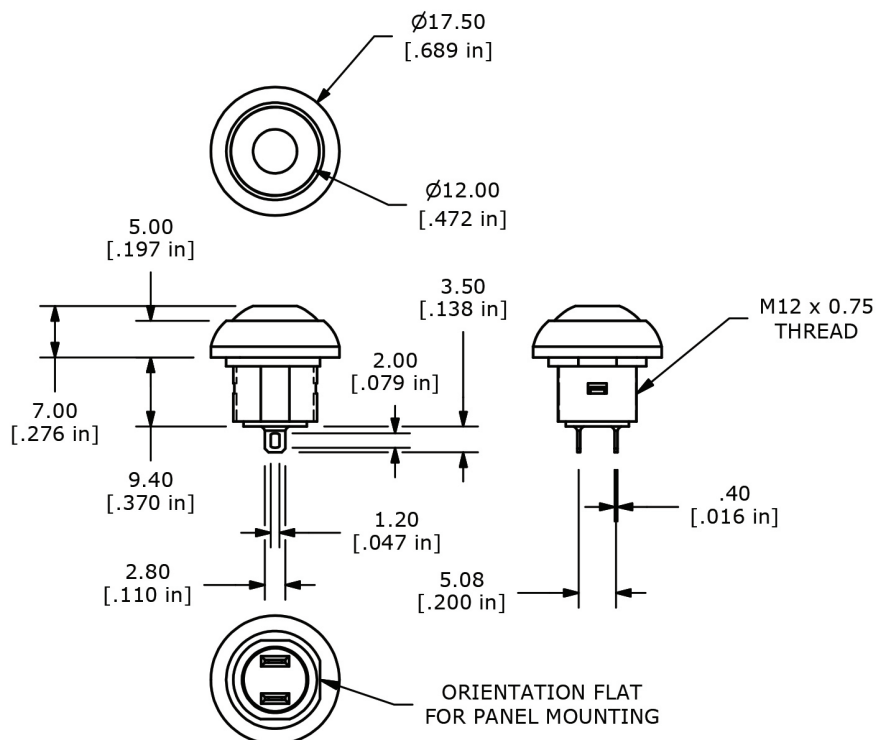
1

# RP8300 SERIES PUSHBUTTON SWITCH

## RP8300 w/ LED B2 BUSHING



## RP8300 w/o LED B2 BUSHING



# RP8300 SERIES PUSHBUTTON SWITCH

## RP8301 w/o LED B2 BUSHING

