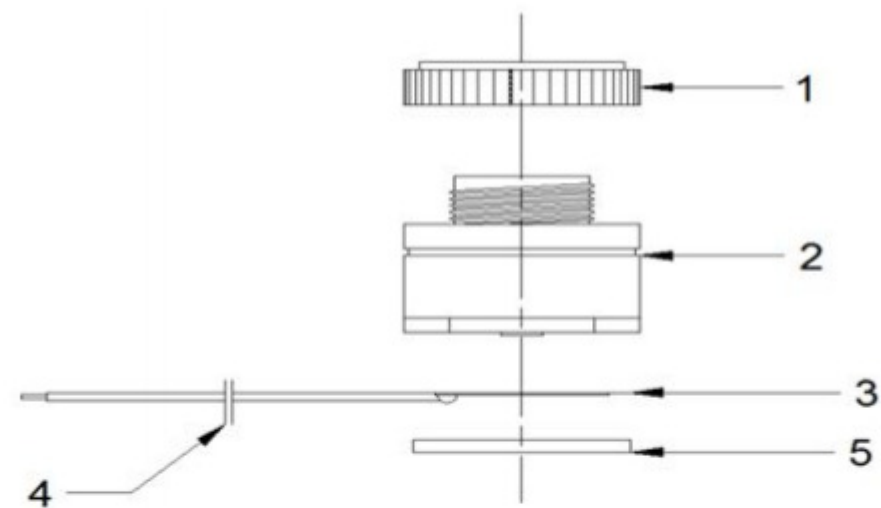
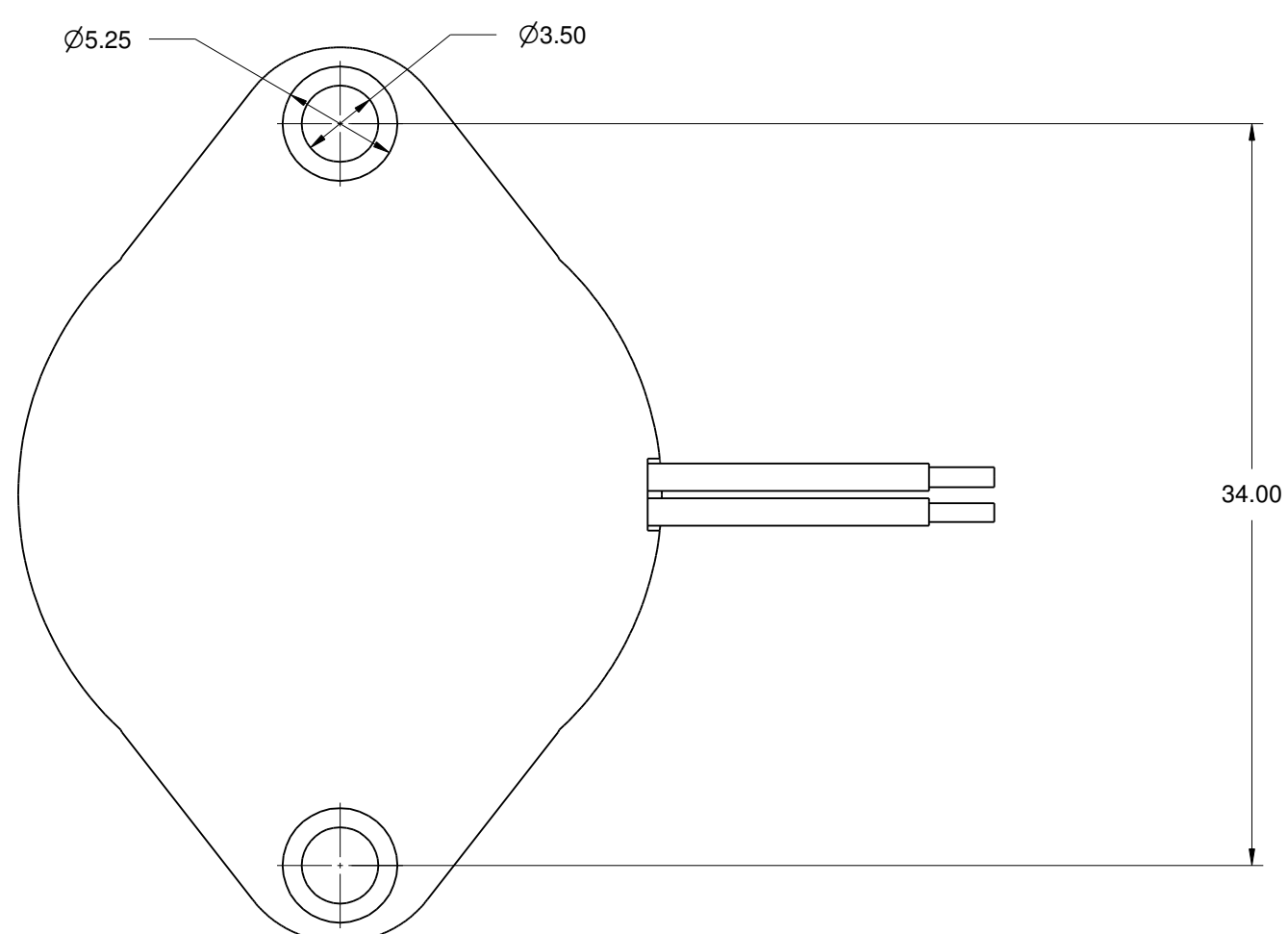
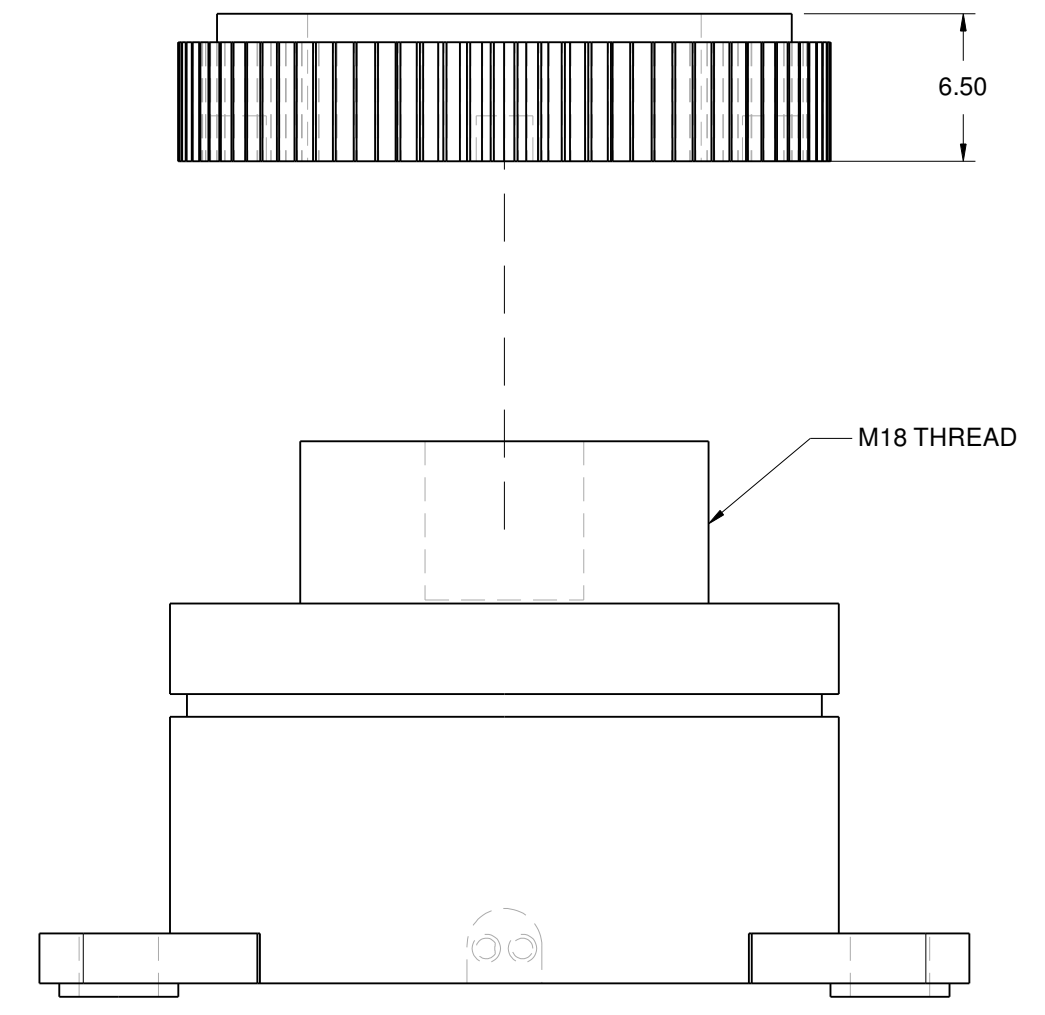
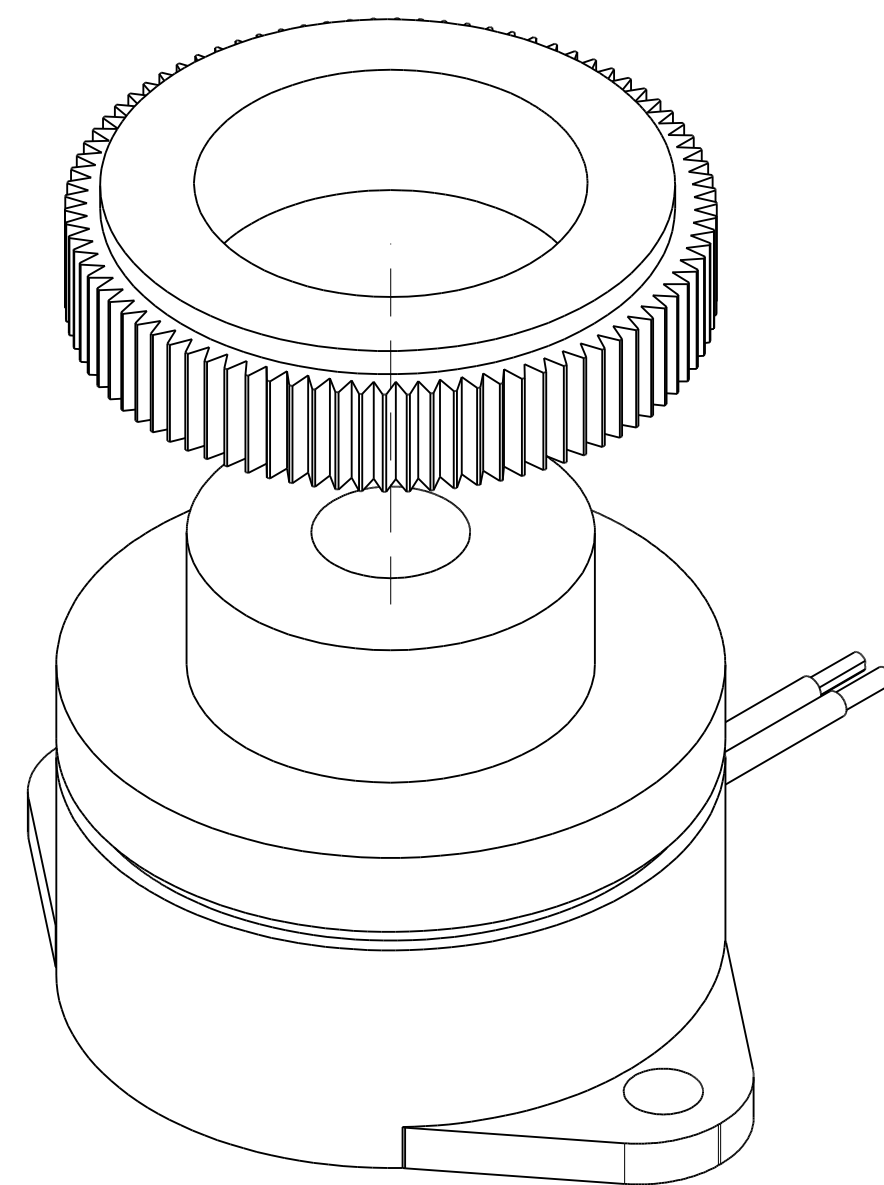
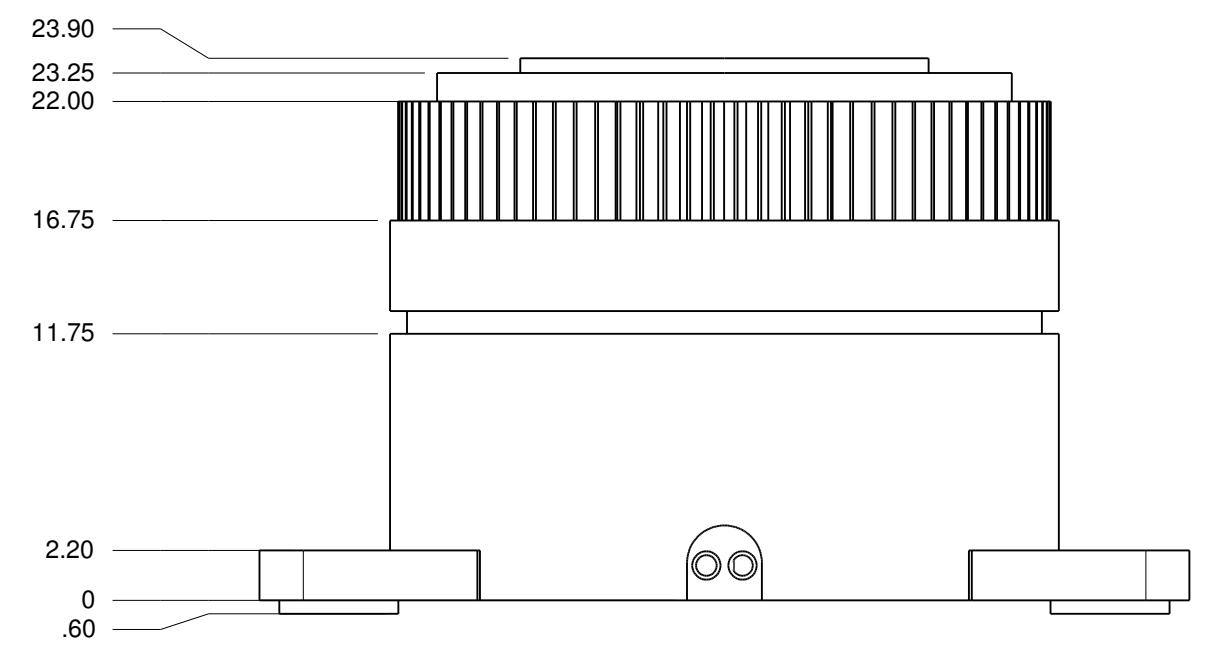
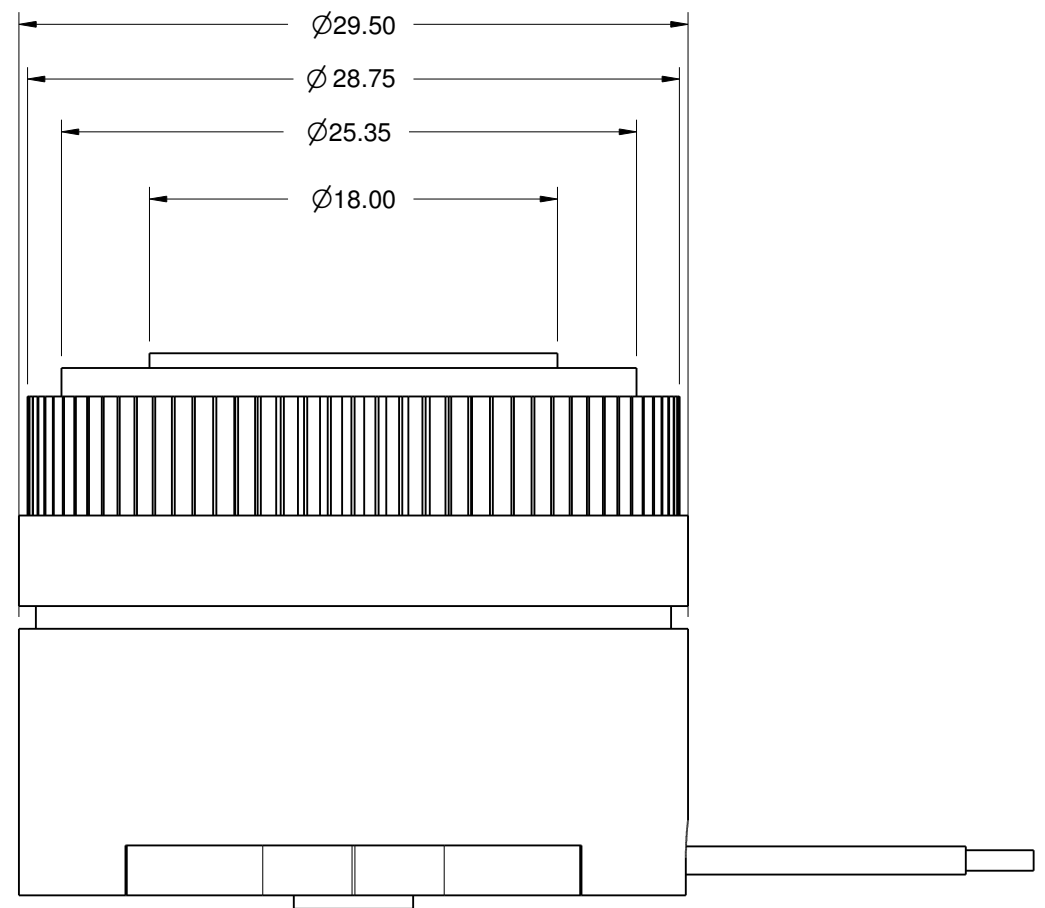
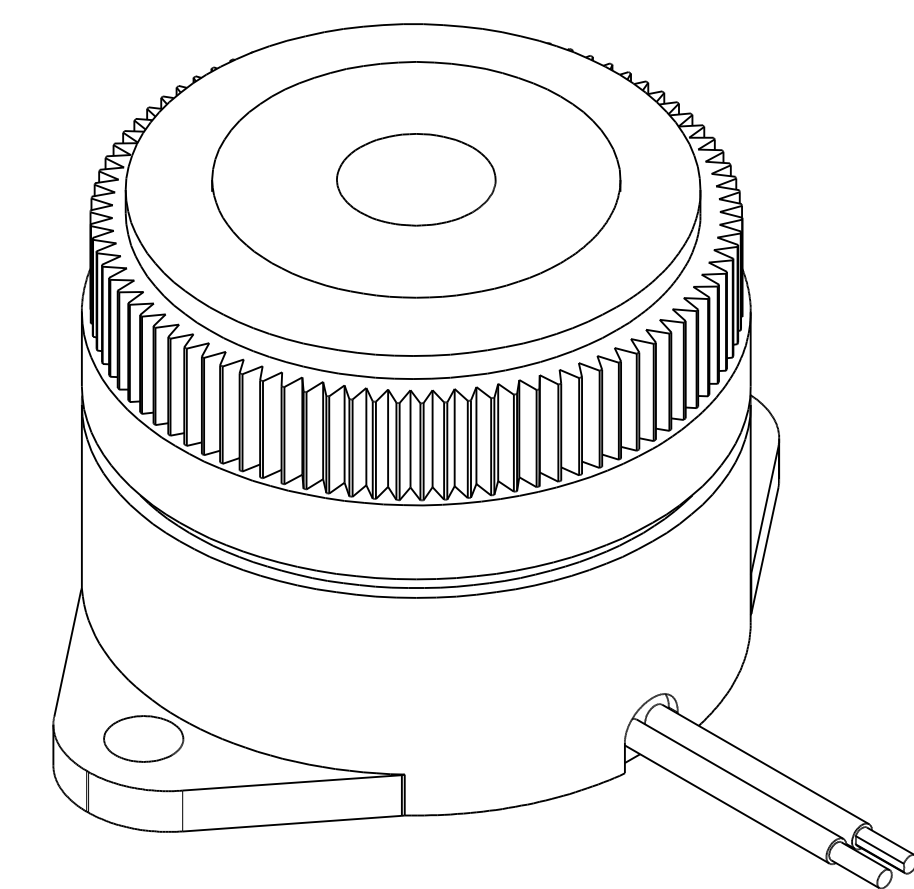
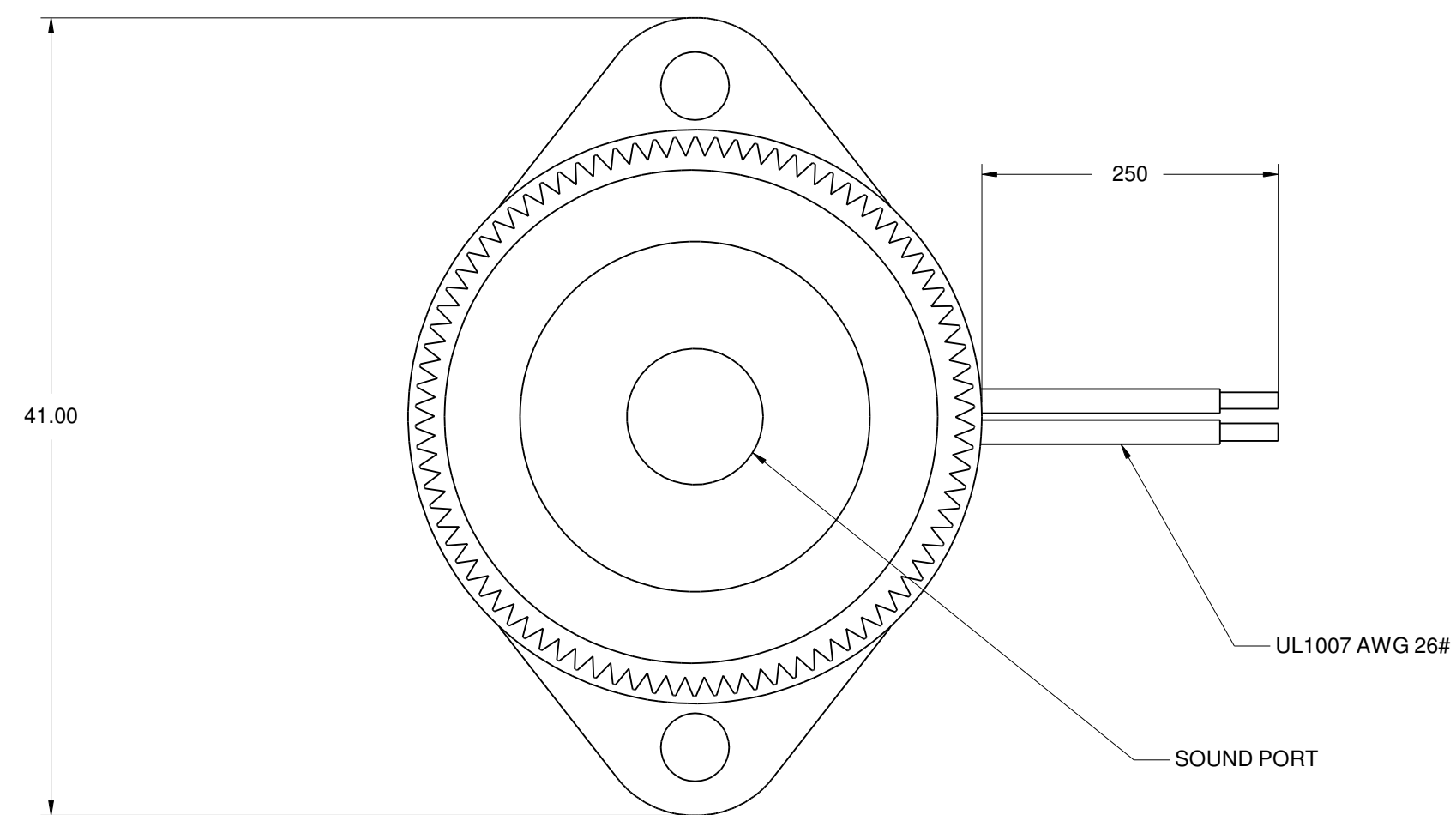


REVISIONS				
ZONE	REV	DESCRIPTION	DATE	APPROVED



No.	Part Name	Material	Quantity
1	Case	ABS	1
2	Case	ABS	1
3	Piezo	Copper + ceramics	1
4	Wire	PVC + Copper UL1007 AWG26#	2
5	Case	ABS	1



TOLERANCE +/-0.5MM UNLESS NOTED

SIZE	FSCM NO.	DWG NO.	REV
D		PB-3024NL	
SCALE	1:1	SHEET	1 OF 1