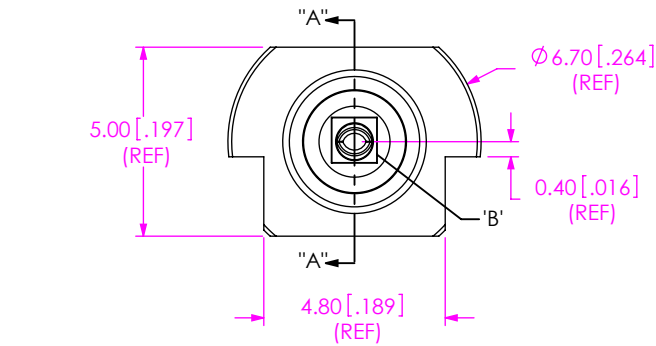
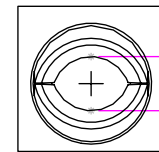


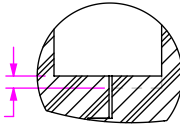
DO NOT SCALE FROM THIS PRINT



DESIGNED & DIMENSIONED IN MILLIMETERS [INCHES]



DETAIL 'B' SCALE 16:1



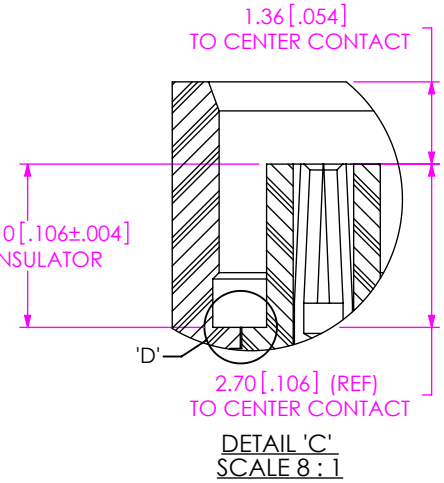
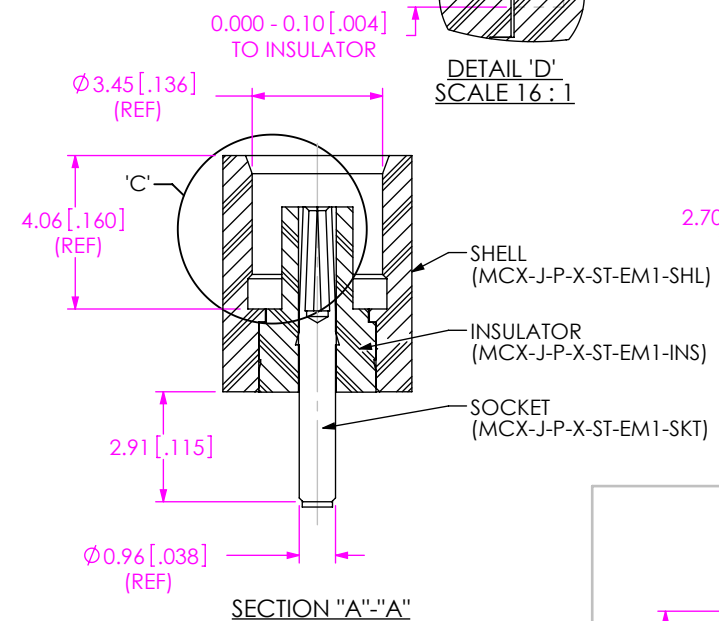
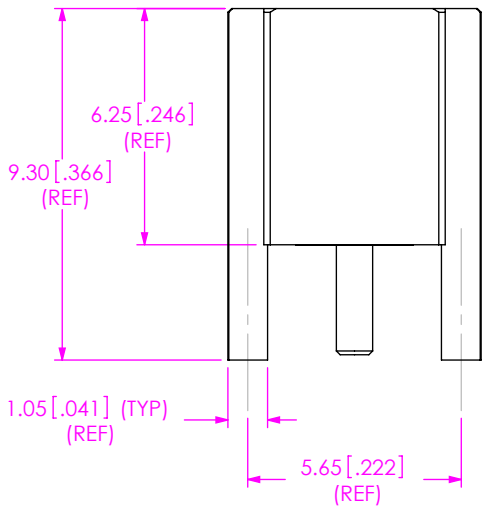
DETAIL 'D' SCALE 16:1

GENDER -J: JACK  
TYPE -P: PCB

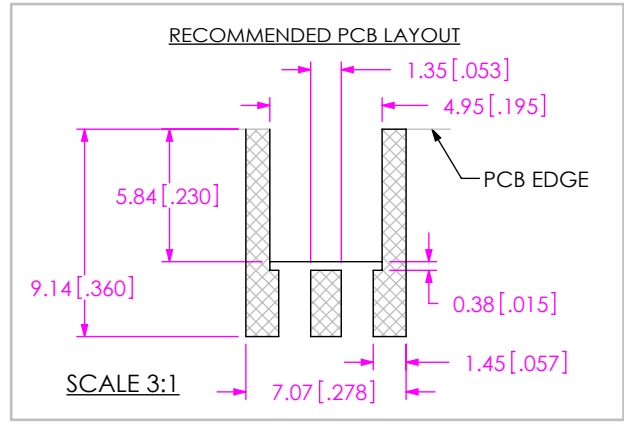
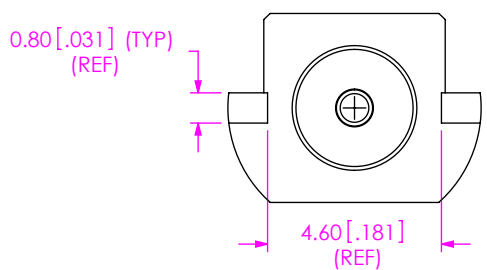
TERMINATION -EM1: EDGE MOUNT

ORIENTATION -ST: STRAIGHT

PLATING SPECIFICATION -H: HEAVY GOLD (SEE TABLE 1)

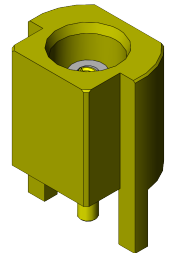


DETAIL 'C' SCALE 8:1



RECOMMENDED PCB LAYOUT

SECTION "A"-"A"



- NOTES:
- ⊕ REPRESENTS A CRITICAL DIMENSION.
  - PUSHOUT FORCE FOR INSULATOR: 8 N [1.8 LB] MIN.
  - PUSHOUT FORCE FOR CENTER CONTACT: 7.5 N [1.67 LB] MIN.
  - PARTS TO BE PACKAGED IN TRAYS; IF QUANTITY IS LESS THAN HALF TRAY, PARTS TO BE PACKAGED IN COHESIVE FOAM.
  - RoHS COMPLIANT.

F:\DWG\MISC\MKTG\MCX-J-P-X-ST-EM1-MKT.SLDDRW

UNLESS OTHERWISE SPECIFIED, DIMENSIONS ARE IN MILLIMETERS.  
TOLERANCES ARE:  
DECIMALS ANGLES  
.X: ±0.3 [0.1] 2°  
.XX: ±0.13 [0.05]  
.XXX: ±0.051 [0.020]

PROPRIETARY NOTE  
THIS DOCUMENT CONTAINS CONFIDENTIAL AND PROPRIETARY INFORMATION AND ALL DESIGN, MANUFACTURING, REPRODUCTION, USE, PATENT RIGHTS AND SALES RIGHTS ARE EXPRESSLY RESERVED BY SAMTEC, INC. THIS DOCUMENT SHALL NOT BE DISCLOSED, IN WHOLE OR PART, TO ANY UNAUTHORIZED PERSON OR ENTITY NOR REPRODUCED, TRANSFERRED OR INCORPORATED IN ANY OTHER PROJECT IN ANY MANNER WITHOUT THE EXPRESS WRITTEN CONSENT OF SAMTEC, INC.

MATERIAL: DO NOT SCALE DRAWING SHEET SCALE: 5:1  
SEE TABLE 1

**samtec**  
520 PARK EAST BLVD, NEW ALBANY, IN 47150  
PHONE: 812-944-6733 FAX: 812-948-5047  
e-Mail: info@SAMTEC.com code: 55322

TABLE 1: MATERIAL			
SAMTEC PART NUMBER	ITEM	MATERIAL	PLATING - (REFERENCE)
MCX-J-P-X-ST-EM1-SHL	SHELL	BRASS C3604B	0.00013[.000005] GOLD OVER .00127[.000050] NICKEL
MCX-J-P-X-ST-EM1-INS	INSULATOR	PTFE TEFLON (WHITE)	N/A
MCX-J-P-X-ST-EM1-SKT	SOCKET	BeCu C17300	0.00076[.000030] GOLD OVER .00127[.000050] NICKEL

DESCRIPTION: MCX STRAIGHT, EDGE MOUNT JACK- 50 OHM  
DWG. NO. MCX-J-P-X-ST-EM1  
BY: R MUSSER 02/06/2008 SHEET 1 OF 1