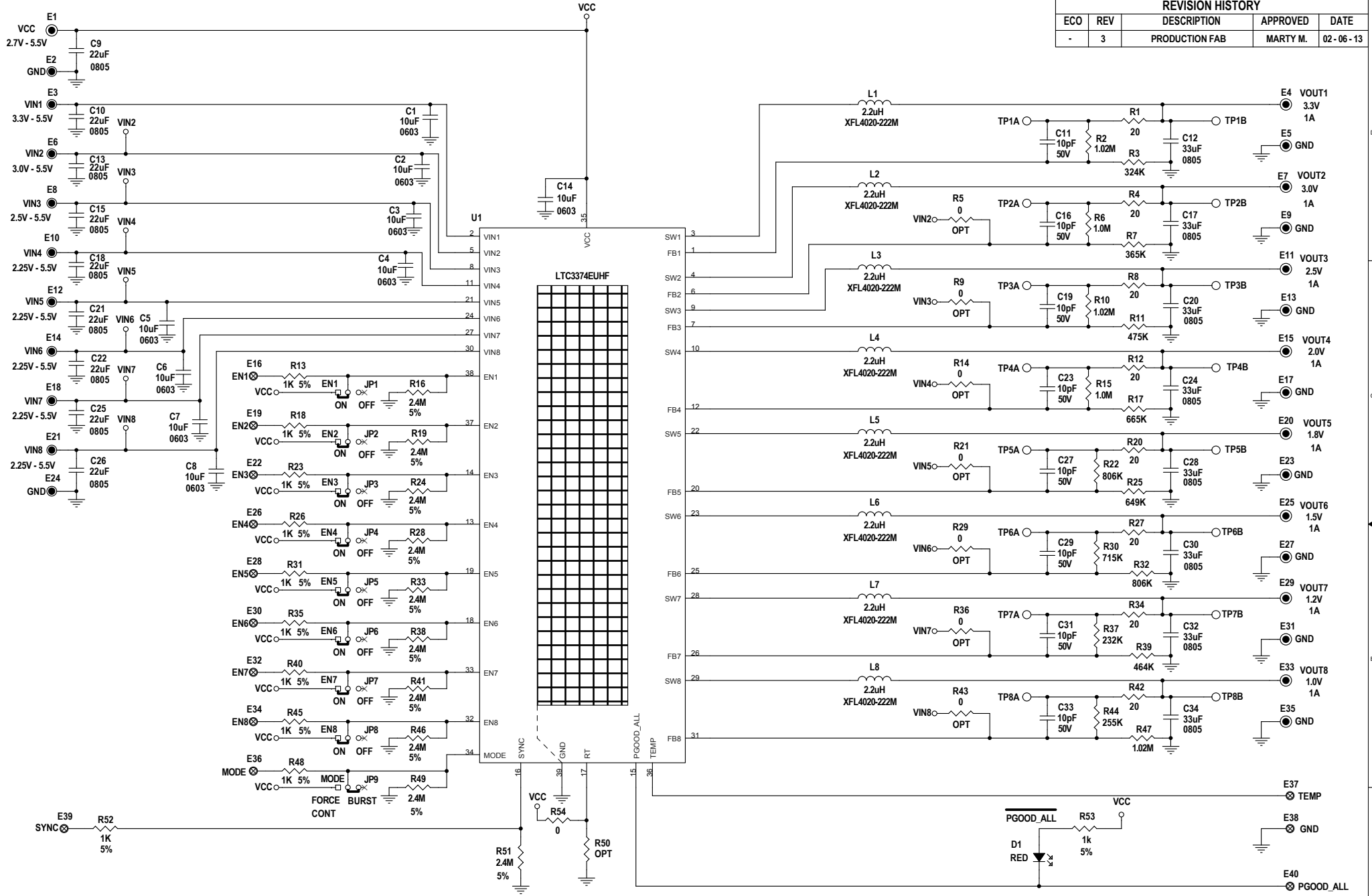


| REVISION HISTORY | | | | |
|------------------|-----|----------------|----------|----------|
| ECO | REV | DESCRIPTION | APPROVED | DATE |
| - | 3 | PRODUCTION FAB | MARTY M. | 02-06-13 |



UNLESS NOTED:
 RESISTORS: OHMS, 0402, 1%, 1/16W
 CAPACITORS: uF, 0402, 6.3V

CUSTOMER NOTICE
 LINEAR TECHNOLOGY HAS MADE A BEST EFFORT TO DESIGN A CIRCUIT THAT MEETS CUSTOMER-SUPPLIED SPECIFICATIONS; HOWEVER, IT REMAINS THE CUSTOMER'S RESPONSIBILITY TO VERIFY PROPER AND RELIABLE OPERATION IN THE ACTUAL APPLICATION. COMPONENT SUBSTITUTION AND PRINTED CIRCUIT BOARD LAYOUT MAY SIGNIFICANTLY AFFECT CIRCUIT PERFORMANCE OR RELIABILITY. CONTACT LINEAR TECHNOLOGY APPLICATIONS ENGINEERING FOR ASSISTANCE.
 THIS CIRCUIT IS PROPRIETARY TO LINEAR TECHNOLOGY AND SUPPLIED FOR USE WITH LINEAR TECHNOLOGY PARTS.

| APPROVALS | |
|-----------|----------|
| PCB DES. | NC |
| APP ENG. | MARTY M. |
| SCALE | NONE |

| | | | |
|-------|----------|--|------------------------|
| | | 1630 McCarthy Blvd. Milpitas, CA 95035 Phone: (408)432-1900 www.linear.com Fax: (408)434-0507 LTC Confidential-For Customer Use Only | |
| | | TITLE: SCHEMATIC 8 - CHANNEL PARALLELABLE 1A BUCK DC / DCs | |
| SIZE | N/A | IC NO. | LTC3374EUHF DC1953A |
| DATE: | 02-06-13 | SHEET | 1 OF 1 |