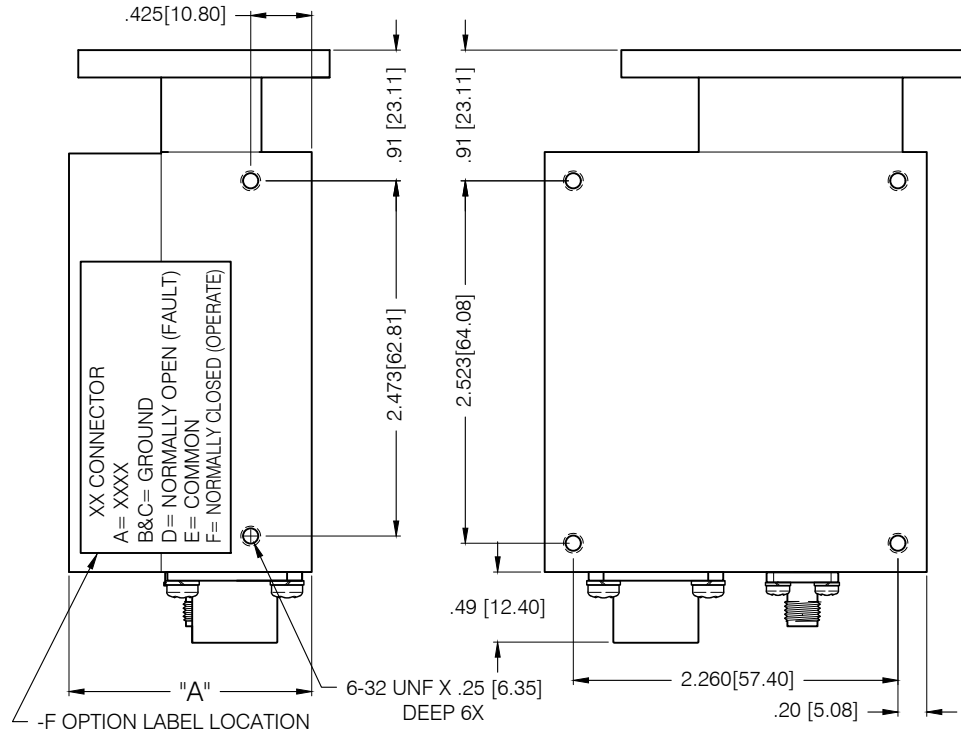
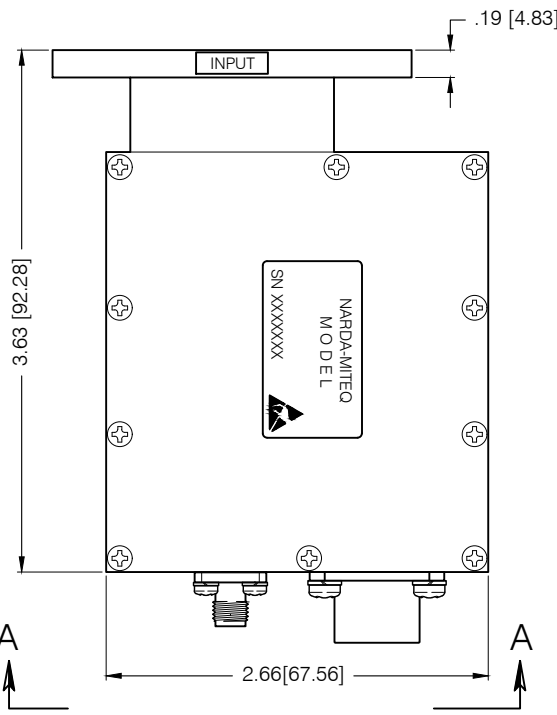
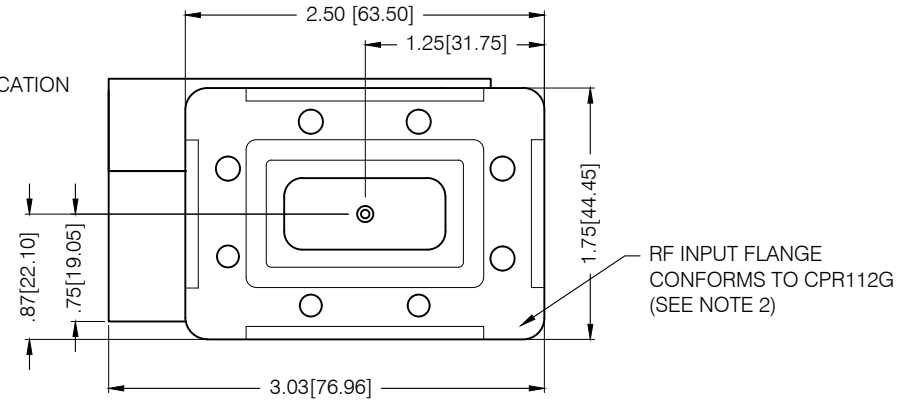
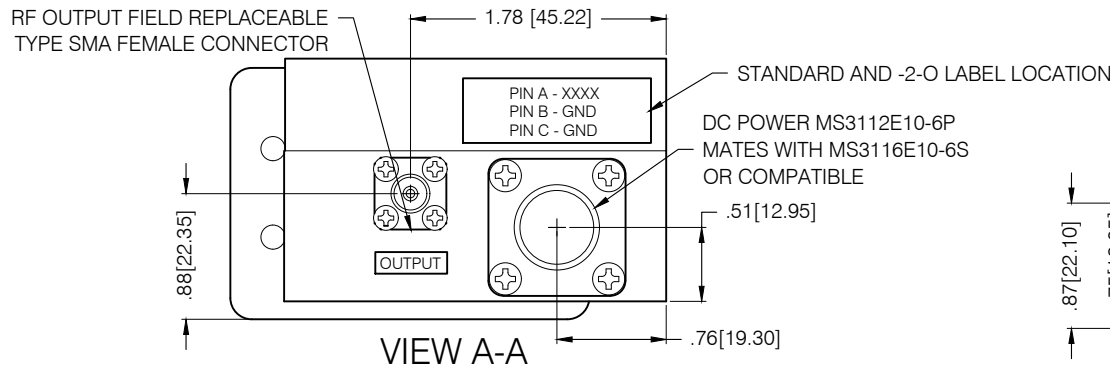


REVISIONS				
ZONE	LTR	DESCRIPTION	DATE	APPROVED
	J	INCORPORATE ECN 40948	05/11/18	rs



NOTES

1. METRIC EQUIVALENTS ARE SHOWN IN PARENTHESIS
2. STANDARD UNIT AS SHOWN, COVER (FLAT) FLANGE OPTIONAL
3. TYPE N FIELD REPLACEABLE CONNECTOR AVAILABLE AS AN OPTION
4. CONTACT FACTORY FOR VARIOUS PIN OUT CONFIGURATIONS.
5. AS AN OPTION, A FLAT COVER PLATE CAN BE USED TO REPLACE THE MULTI-PIN CONN WHEN A BIAS-TEE IS INSTALLED.

DASH NUMBER TABLE

OUTLINE NUMBER	DIM "A"	OPTION P/N SUFFIX	AMPLIFIER DESCRIPTION
138968-1	1.69 [42.69]	NONE	STANDARD LNA
138968-1	1.69 [42.69]	-F	LNA WITH OPTIONAL FAULT ALARM
138968-2	2.40 [60.96]	-O	LNA WITH OPTIONAL 100 - 240 VAC POWER SUPPLY
138968-2	2.40 [60.96]	-O, -F	LNA WITH OPTIONAL FAULT ALARM AND 100 - 240 VAC POWER SUPPLY

Narda-MITEQ PROPRIETARY
 THIS DOCUMENT CONTAINS INFORMATION WHICH IS PROPRIETARY TO Narda-MITEQ. THE CONTENTS SHALL NOT BE DISCLOSED, COPIED, DISTRIBUTED, OR USED UNLESS AUTHORIZED BY AN OFFICER OF Narda-MITEQ.

THESE ITEM(S)/TECHNOLOGY CONTAIN INFORMATION SUBJECT TO U.S. GOVERNMENT EXPORT CONTROL IN ACCORDANCE WITH THE EXPORT ADMINISTRATION REGULATIONS (EAR), 15 CFR PARTS 730-744. EXPORT OF THIS DATA TO ANY FOREIGN COUNTRY OR DISCLOSURE OF THIS DATA TO ANY NON-US PERSON MAY BE A VIOLATION OF FEDERAL LAW.

UNLESS OTHERWISE SPECIFIED DIMENSIONS ARE IN INCHES TOLERANCES ON
 DECIMALS .XX ± .01 .XXX ± .005 ANGLES ± 0°30'

PROJECTION

MATERIAL

FINISH

NAME	DATE
<i>KJBovaird</i>	05/11/01
<i>rs</i>	05/11/18
APPROVED BY	
<i>Joseph Buonaiuto</i>	05/16/18
PROJ ENGR	
MFG ENGR	
O.A.	
AUTOCAD FILE FORMAT	



OUTLINE X BAND
 CPR112G INTEGRATED
 AMPLIFIER

SIZE	CODE IDENT. NO.	REV.
C	99899	J
SCALE		REF
SHEET 1 OF 1		

PRINT NOT ON AUTOMATIC DISTRIBUTION VERIFY REVISION PRIOR TO USE

138968

AUTOCAD 15.2021