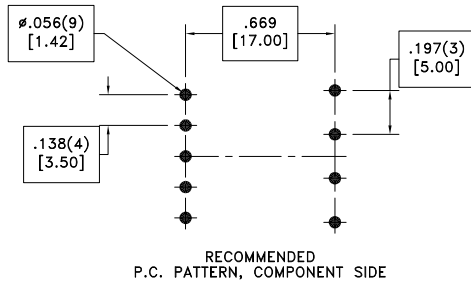
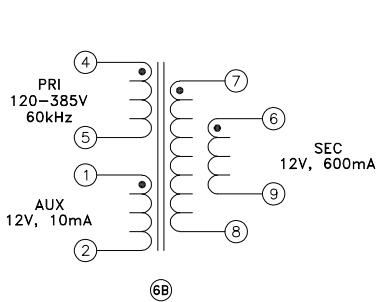
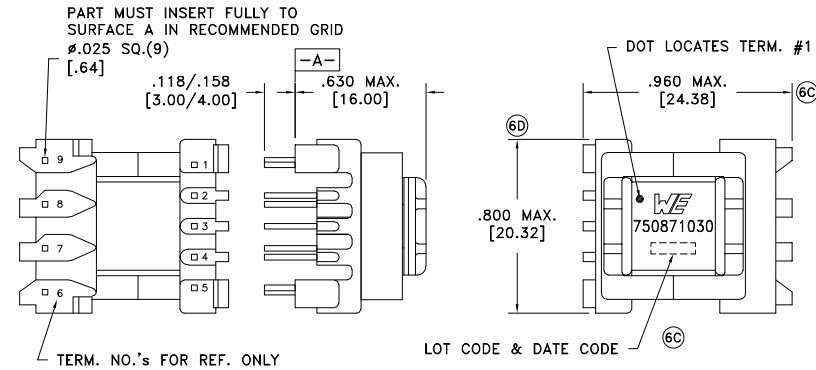


CUSTOMER TERMINAL	RoHS	LEAD(Pb)-FREE
Sn96%, Ag4%	Yes	Yes



ELECTRICAL SPECIFICATIONS @ 25°C unless otherwise noted:

PARAMETER	TEST CONDITIONS	VALUE
D.C. RESISTANCE	1-2 @20°C	1.00 ohms max.
D.C. RESISTANCE	4-5 @20°C	8.45 ohms max.
D.C. RESISTANCE	6-9 @20°C	0.160 ohms max.
D.C. RESISTANCE	7-8 @20°C	0.21 ohms max.
INDUCTANCE	4-5 10kHz, 100mVAC, Ls	2.38mH \pm 10%
LEAKAGE INDUCTANCE	4-5 tie(1+2, 6+7+8+9), 100kHz, 100mVAC, Ls	50uH max.
DIELECTRIC	4-6 tie(1+5, 6+7), 5000VAC, 1 second	4000VAC, 1 minute
DIELECTRIC	1-4 1875VAC, 1 second	1500VAC, 1 minute
URNS RATIO	(4-5):(6-9)	9.555:1, \pm 1%
URNS RATIO	(4-5):(7-8)	9.555:1, \pm 1%
URNS RATIO	(4-5):(1-2)	9.555:1, \pm 1%

GENERAL SPECIFICATIONS:

OPERATING TEMPERATURE RANGE: -40°C to +125°C.

6C Wire insulation & RoHS status not affected by wire color.
 Wire insulation color may vary depending on availability.

REV.	DATE	Packaging Specifications	CONVENTION PLACEMENT
6D	10/19	Method: Tray	
6C	7/17	PKG-0058	
6B	1/09	www.we-online.com/midcom	
6A	10/08	SEE REVISION SHEET FOR REVISION LEVEL	

Tolerances unless otherwise specified:
 Method: \pm 1° Decimals: \pm .005 [.13]
 Fractions: \pm 1/64 Footprint: \pm .005 [.13]

This drawing is dual dimensioned. Dimensions in brackets are in millimeters.

DRAWING TITLE
TRANSFORMER

eiSos p/n: 750871030

PART NO.
750871030

SPECIFICATION SHEET 1 OF 1