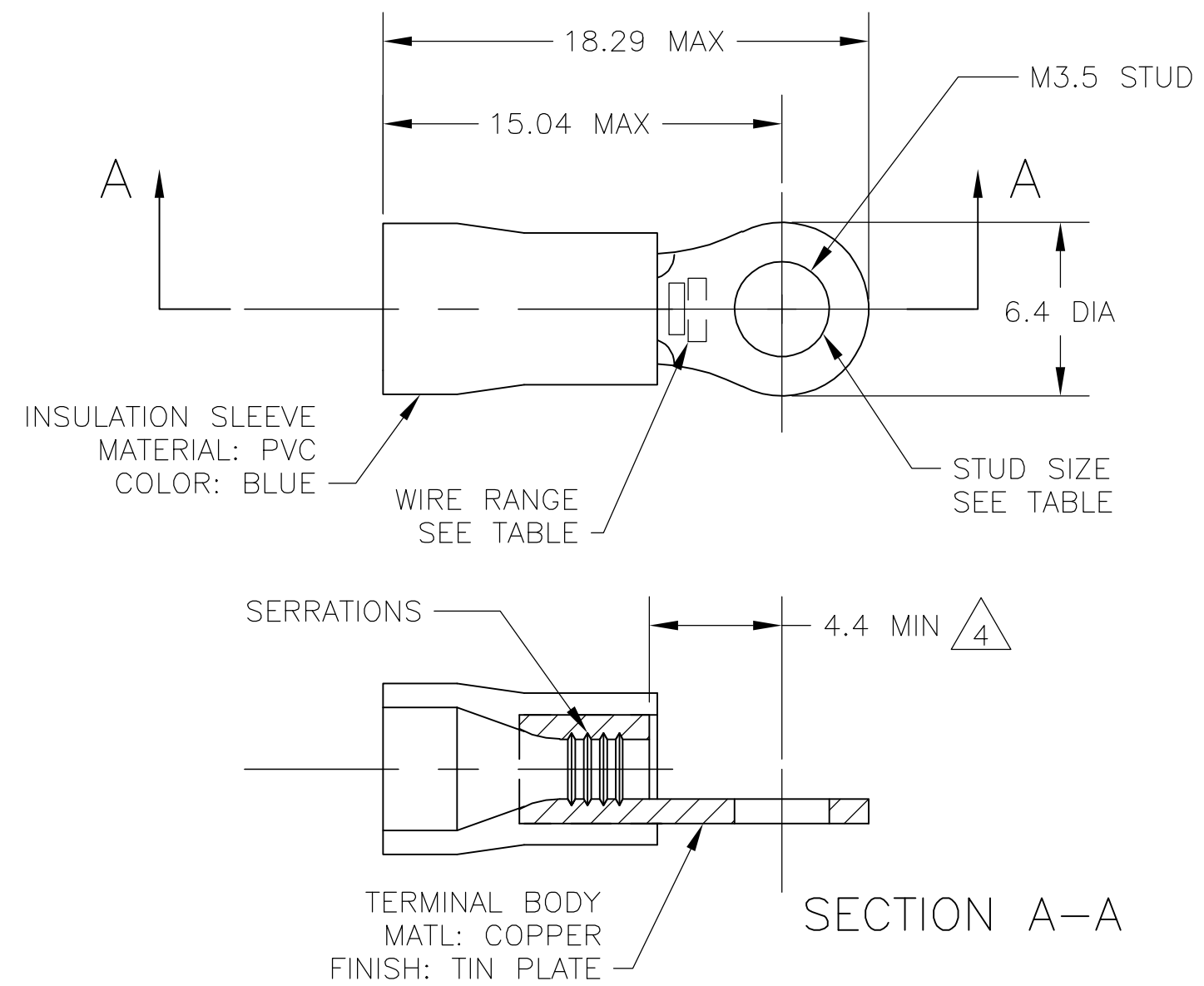


THIS DRAWING IS UNPUBLISHED. RELEASED FOR PUBLICATION
 © COPYRIGHT BY TYCO ELECTRONICS CORPORATION. ALL RIGHTS RESERVED.

LOC	DIST	REVISIONS					
		P	LTR	DESCRIPTION	DATE	DWN	APVD
G	02		R2	REV PER ECR-06-001930	13FEB06	HMR	TM



- 1 WIRE SIZE IS 16-14 AWG
- 2 WIRE INSULATION DIA: 3.0-4.9
- 3 MATERIAL THICKNESS IS 0.8
- $\triangle 4$ DIMENSION APPLIES FROM EDGE OF METAL WIRE BARREL TO END OF PIN.
- $\triangle 5$ SUPERSEDED BY 342142-1
- $\triangle 6$ OBSOLETE, NO REPLACEMENT

BULK	SCANDINAVIAN	5000	$\triangle 6$	8-342142-7
POLY BAG WITH HEADER	STANDARD	100	$\triangle 5$	7-342142-1
PLASTIC BOX	STANDARD	100	$\triangle 5$	6-342142-1
TAPED MOUNTED	STANDARD	5000		2-342142-1
PLASTIC BAG	STANDARD	100		342142-1
PACKAGING	LABELLING	QTY		PART NO

DIMENSIONS: INCHES		TOLERANCES UNLESS OTHERWISE SPECIFIED:		MATERIAL		FINISH	
0 PLC	± -	0	± -				
1 PLC	± 0.5	1	± 0.5				
2 PLC	± -	2	± -				
3 PLC	± -	3	± -				
4 PLC	± -	4	± -				
ANGLES	± 1°						

THIS DRAWING IS A CONTROLLED DOCUMENT.		DWN jr ruth 02DEC05	tyco Tyco Electronics Corporation	
		CHK T MICHELUTTI 02DEC05	Electronics Harrisburg, PA 17105-3608	
		APVD T MICHELUTTI 02DEC05	NAME	
		PRODUCT SPEC	TERMINAL, RING TONGUE, PLASTI-GRIP,	
		APPLICATION SPEC	-	
		WEIGHT -	SIZE A2	RESTRICTED TO -
		CUSTOMER DRAWING	CAGE CODE 00779	DRAWING NO C=342142
			SCALE 5:1	SHEET 1 of 1
			REV R2	