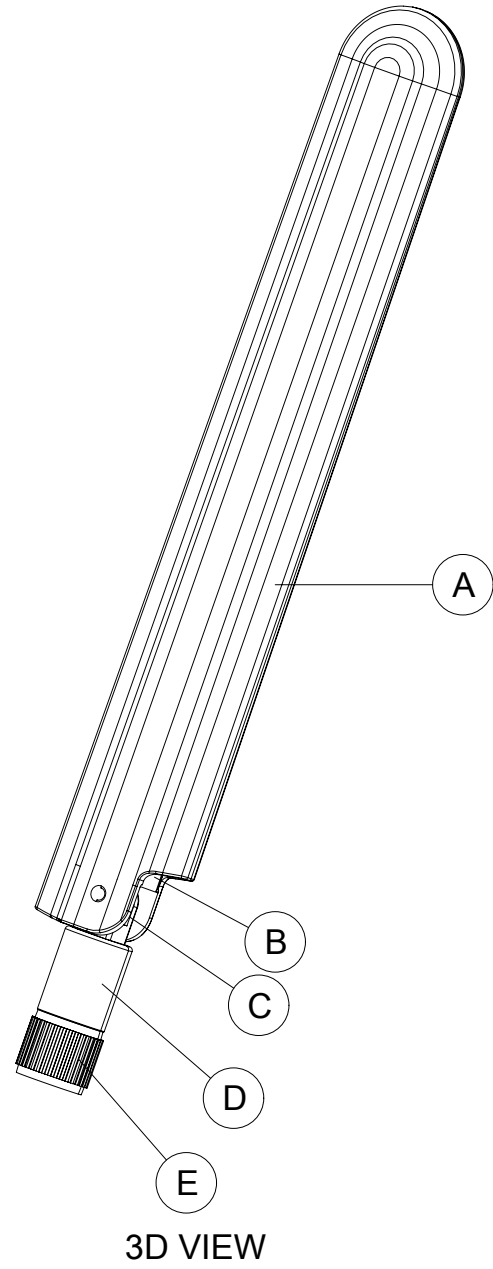
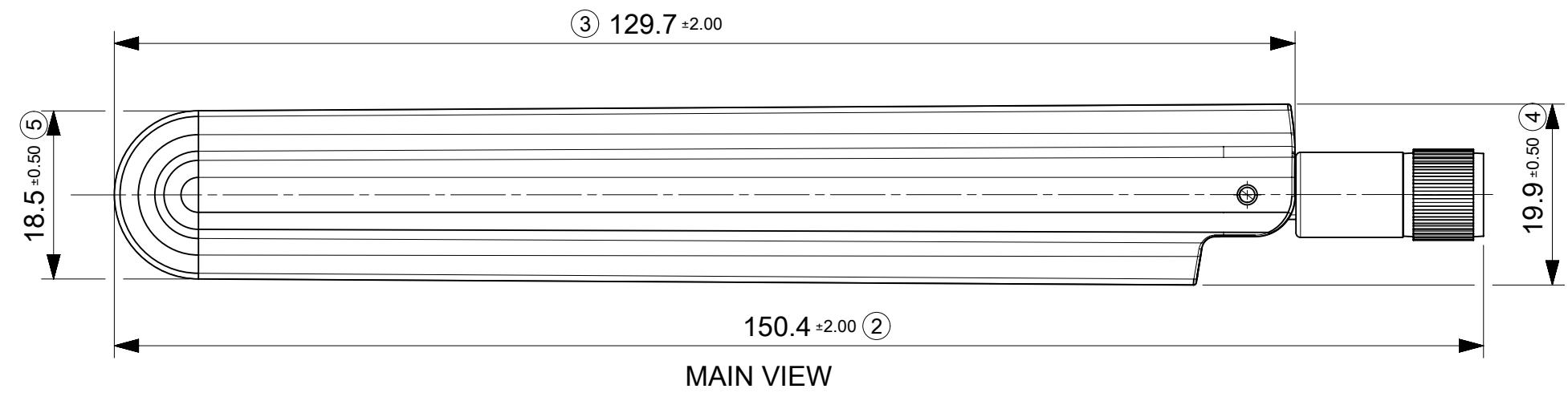


ITEM	MATERIAL NUMBER	DESCRIPTION
1	2203550001	MOLEX 5G<E ANTENNA LITE WITH SMA MALE
2	2203550011	MOLEX 5G<E ANTENNA LITE WITH RP-SMA MALE

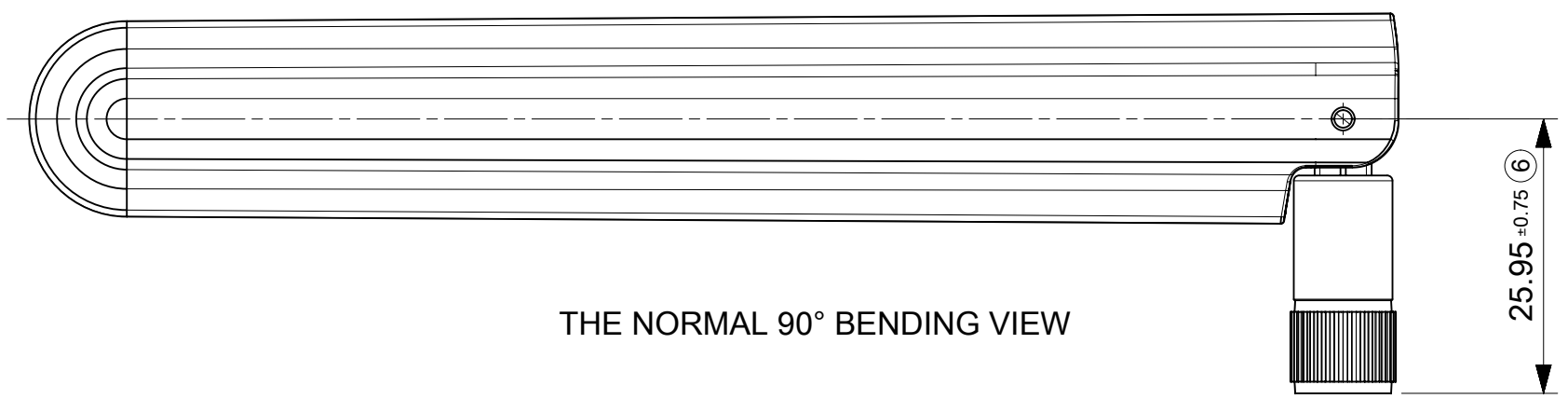
REV	DATE	DESCRIPTION
A1	2022/10/27	FIRST RELEASE



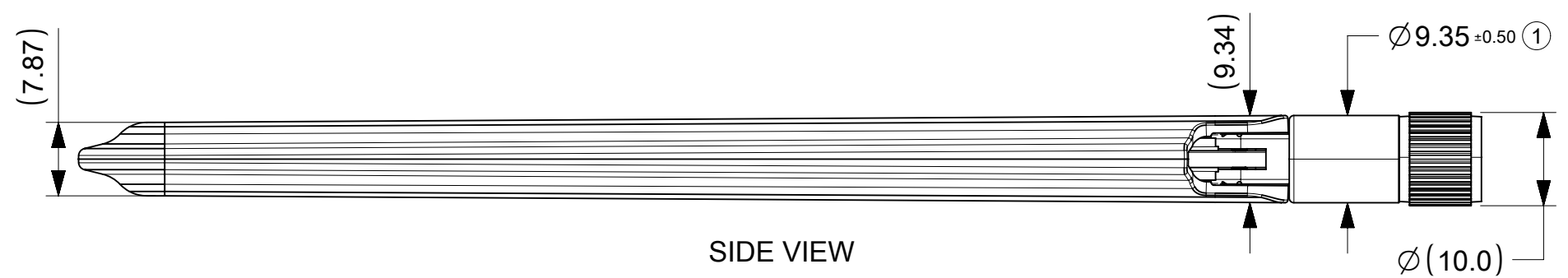
3D VIEW



MAIN VIEW



THE NORMAL 90° BENDING VIEW



SIDE VIEW

- NOTES:
- FOR STRUCTURAL MATERIALS, PLEASE REFER TO THE MATERIAL FORM.
 - PACKAGE SPEC. REFER TO PK OF 2203550001
 - PRODUCT SPEC. REFER TO PS OF 2203550001
 - APPLICATION SPEC. REFER TO AS OF 2203550001

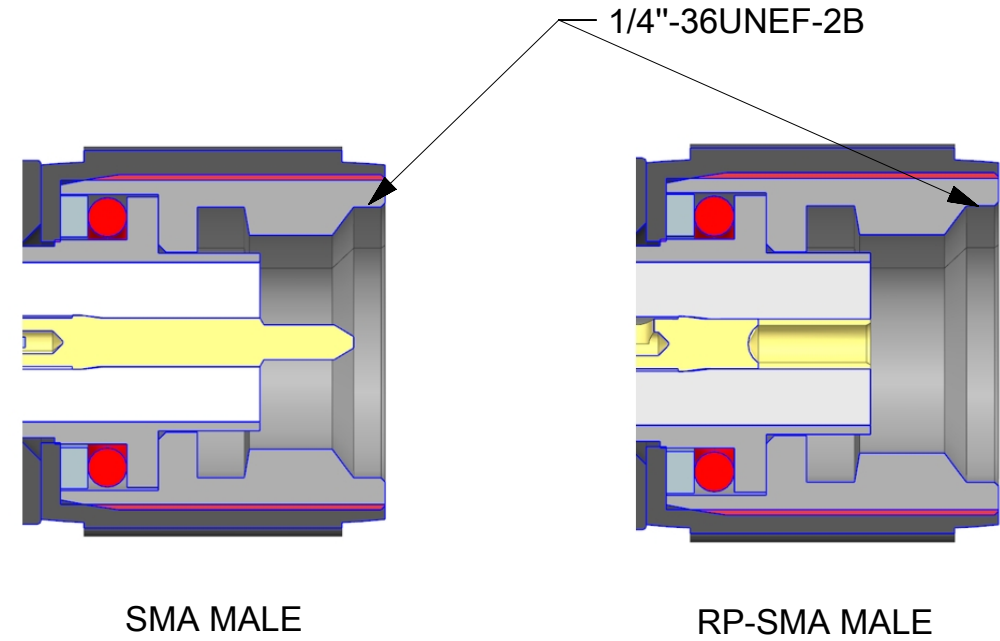
FUNCTIONAL SYMBOLS	THIS DRAWING CONTAINS INFORMATION THAT IS PROPRIETARY TO MOLEX ELECTRONIC TECHNOLOGIES, LLC AND SHOULD NOT BE USED WITHOUT WRITTEN PERMISSION		CURRENT REV DESC:		molex			
	FA = 0	mm						SCALE 1:1
DIVISIONAL SYMBOLS	GENERAL TOLERANCES (UNLESS SPECIFIED)		EC NO: 726265		MOLEX 5G<E ANTENNA LITE			
	FB = 0	ANGULAR TOL ± °		DRWN: KCHENG06				2022/10/27
DIVISIONAL SYMBOLS	FC = 0	4 PLACES	±	APPR: HORACM1	2022/10/28		PRODUCT CUSTOMER DRAWING	
	FD = 0	3 PLACES	±	INITIAL REVISION:	DOCUMENT NUMBER			
	FE = 0	2 PLACES	± 2.0	DRWN: KCHENG06	2022/08/25	2203550001		DOC TYPE
	FF = 0	1 PLACE	± 3.0	APPR: HORACM1	2022/09/22	PSD		DOC PART
		0 PLACES	± 3.5			A1	REVISION	
DRAFT WHERE APPLICABLE MUST REMAIN WITHIN DIMENSIONS		THIRD ANGLE PROJECTION		DRAWING	SERIES	MATERIAL NUMBER	CUSTOMER	
		A3-SIZE		220355	SEE TABLE	GENERAL MARKET	SHEET NUMBER	
							1 OF 2	

THIS MATERIAL TABLE IS APPLIED FOR ANTENNAS BELOW:
MOLEX P/N:2203550001

MATERIAL BOM		
ITEM	DESCRIPTION	
A	HOUSING CAP	ABS BLACK
B	PCB	FR-4
C	CABLE	RG178
D	BASE	PC+PBT BLACK
E	CONNECTOR	SMA MALE

THIS MATERIAL TABLE IS APPLIED FOR ANTENNAS BELOW:
MOLEX P/N:2203550011

MATERIAL BOM		
ITEM	DESCRIPTION	
A	HOUSING CAP	ABS BLACK
B	PCB	FR-4
C	CABLE	RG178
D	BASE	PC+PBT BLACK
E	CONNECTOR	RP-SMA MALE



FUNCTIONAL SYMBOLS $\nabla_A = 0$ $\nabla_F = 0$ $\nabla_P = 0$	THIS DRAWING CONTAINS INFORMATION THAT IS PROPRIETARY TO MOLEX ELECTRONIC TECHNOLOGIES, LLC AND SHOULD NOT BE USED WITHOUT WRITTEN PERMISSION DIMENSION UNITS: mm SCALE: 1:1	CURRENT REV DESC: EC NO: 726265 DRWN: KCHENG06 2022/10/27 CHK'D: HORACM1 2022/10/28 APPR: HORACM1 2022/10/28				
	GENERAL TOLERANCES (UNLESS SPECIFIED) ANGULAR TOL ± ° 4 PLACES ± 3 PLACES ± 2 PLACES ± 2.0 1 PLACE ± 3.0 0 PLACES ± 3.5	INITIAL REVISION: DRWN: KCHENG06 2022/08/25 APPR: HORACM1 2022/09/22	PRODUCT CUSTOMER DRAWING DOCUMENT NUMBER: 2203550001 DOC TYPE: PSD DOC PART: 000 REVISION: A1			
	DIVISIONAL SYMBOLS	DRAFT WHERE APPLICABLE MUST REMAIN WITHIN DIMENSIONS THIRD ANGLE PROJECTION 	DRAWING: A3-SIZE SERIES: 220355	MATERIAL NUMBER: SEE TABLE CUSTOMER: GENERAL MARKET	SHEET NUMBER: 2 OF 2	