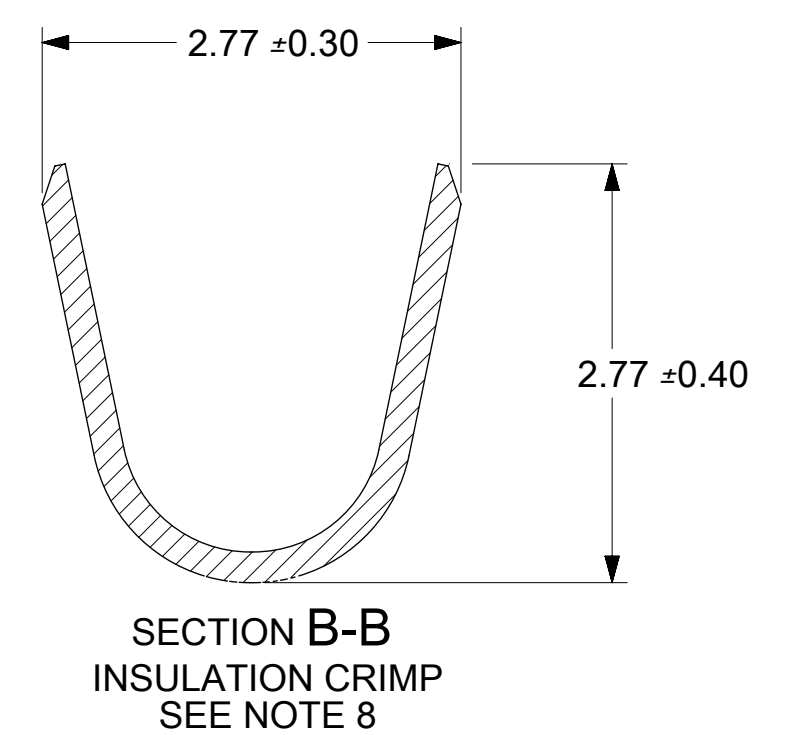
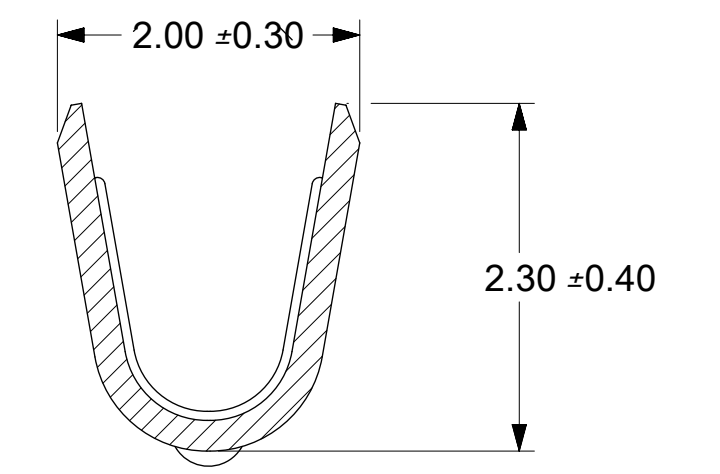
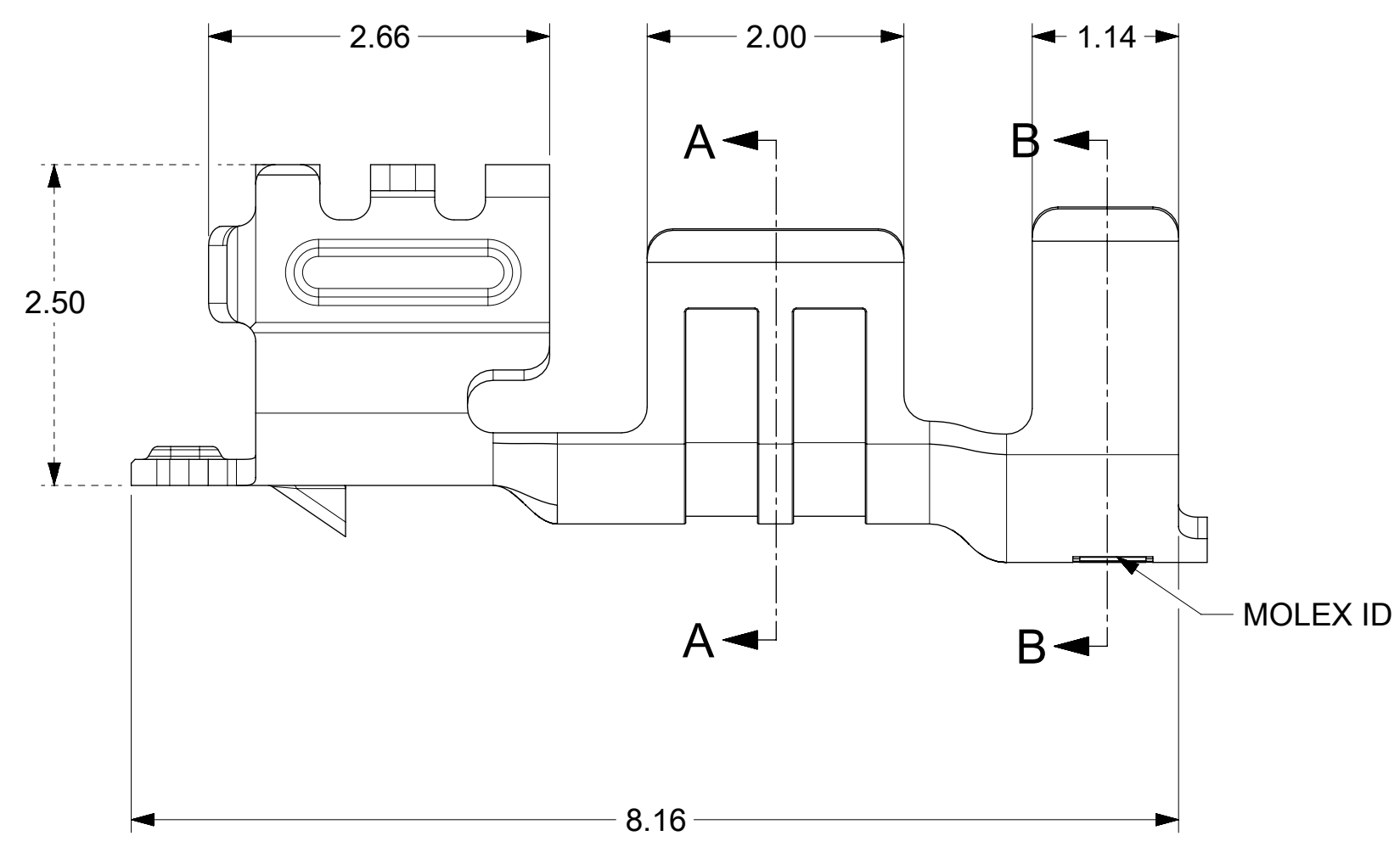
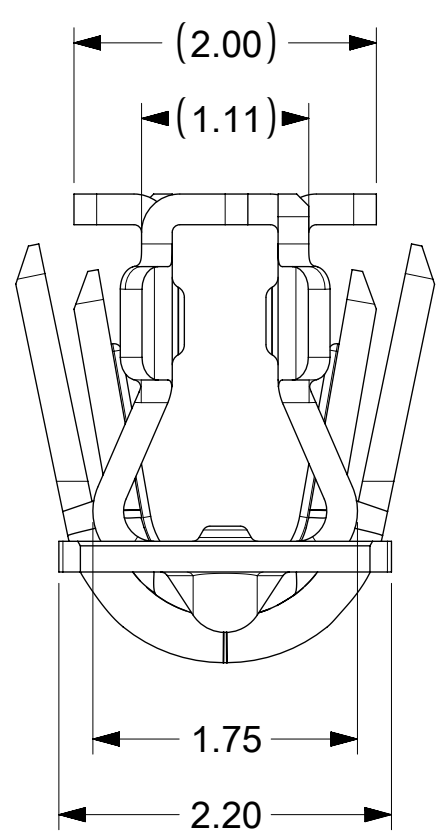
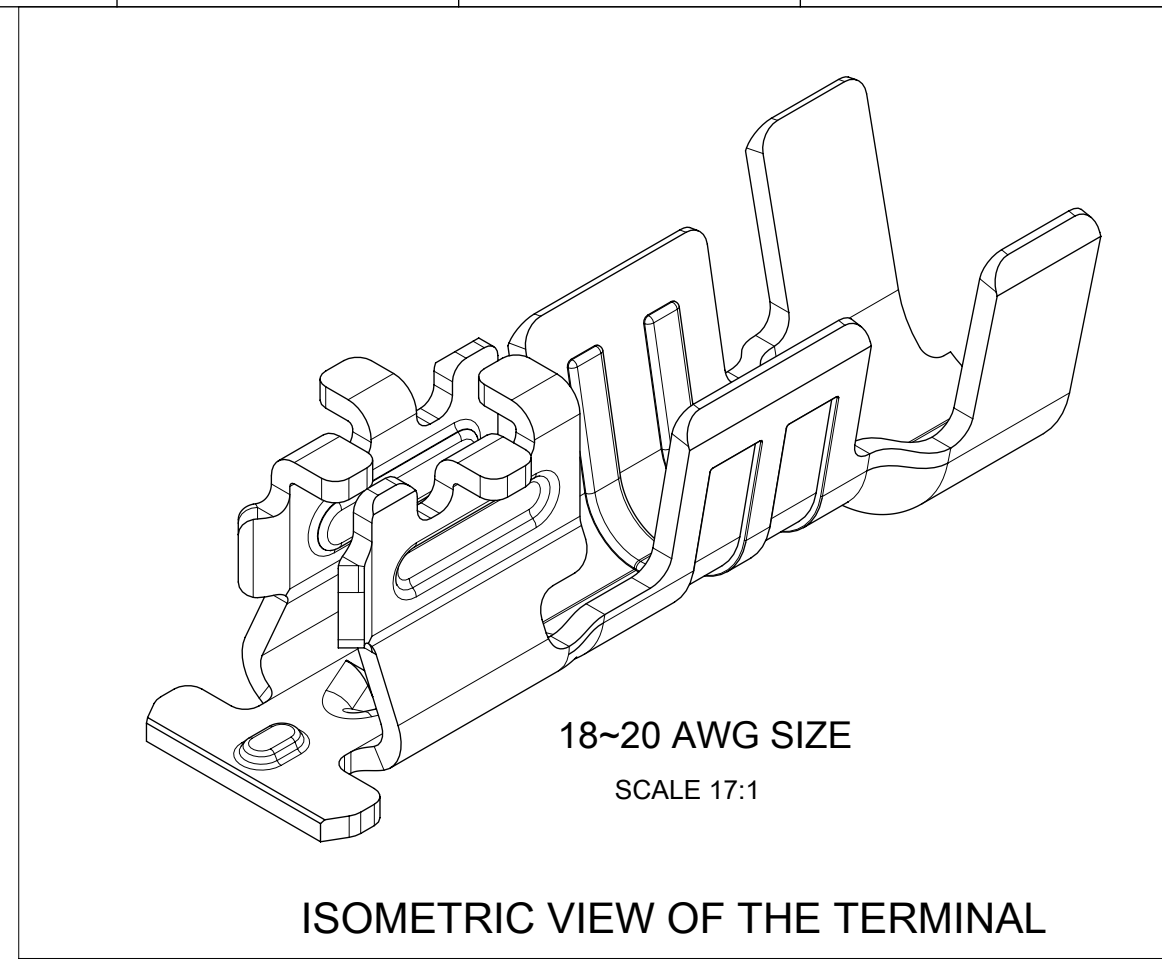
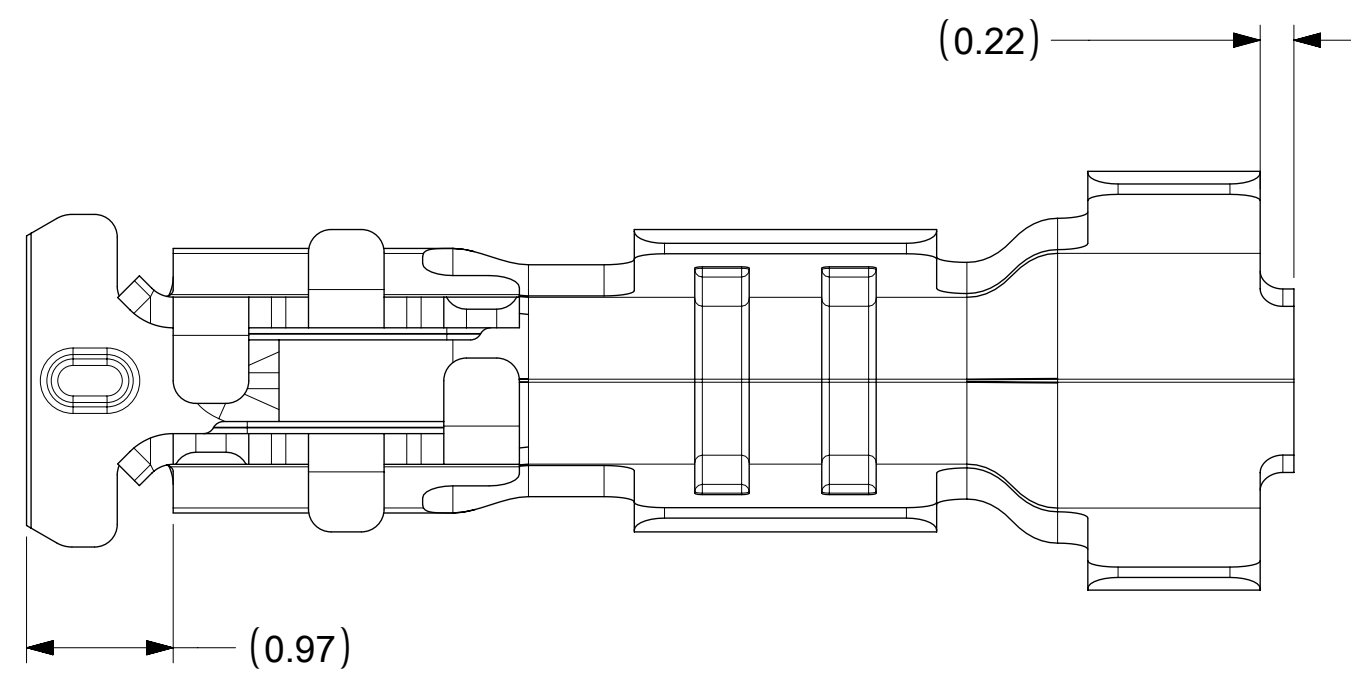


MATERIAL NUMBER	CRIMP SIZE (NOTE 7)	ASSEMBLY OPTION
206396-0001	18-20 AWG	CHAIN

- NOTES:
1. MATERIAL: COPPER ALLOY
 2. FINISH: TIN OVER COPPER OVERALL, PRE - PLATED STRIP
 3. PRODUCT SPECIFICATION: 2092080000-PS
 4. PACAKAGING SPECIFICATION: 2063960000-PK
 5. FOR USE WITH SERIES 209209 RECEPTACLE HOUSINGS.
 6. THIS PART CONFORMS TO CLASS B REQUIREMENTS OF COSMETIC SPEC PS-45499-002.
 7. 18~20AWG CRIMP SIZE IS SUITABLE FOR WIRE WITH A MAXIMUM INSULATION DIAMETER OF 1.42 TO 2.10 MM (SUCH AS UL1007 OR 1061).
 8. DIMENSIONS GIVEN ACROSS CENTERLINES ARE SYMMETRICAL ABOUT THOSE CENTERLINES WITHIN HALF THE TOTAL TOLERANCE.



SYMBOLS = 0 = 0 = 0 = 0 = 0 = 0 = 0 = 0 = 0	THIS DRAWING CONTAINS INFORMATION THAT IS PROPRIETARY TO MOLEX ELECTRONIC TECHNOLOGIES, LLC AND SHOULD NOT BE USED WITHOUT WRITTEN PERMISSION DIMENSION UNITS: mm SCALE: 20:1	CURRENT REV DESC: INITIAL RELEASE EC NO: 637679 DRWN: GSHARMA 2019/01/16 CHK'D: MBN02 2020/05/22 APPR: ISHWARG 2020/05/22	 FEMALE CRIMP TERMINAL FOR L1NK 300 WTB CONNECTION SYSTEM		
	GENERAL TOLERANCES (UNLESS SPECIFIED) ANGULAR TOL ± ° 4 PLACES ± 3 PLACES ± 2 PLACES ± 0.25 1 PLACE ± 0.3 0 PLACES ±	INITIAL REVISION: DRWN: GSHARMA 2019/01/16 APPR: ISHWARG 2020/05/22			
	DRAFT WHERE APPLICABLE MUST REMAIN WITHIN DIMENSIONS THIRD ANGLE PROJECTION 	DRAWING: C-SIZE SERIES: 206396	MATERIAL NUMBER: SEE TABLE CUSTOMER: GENERAL MARKET SHEET NUMBER: 1 OF 1		

DOCUMENT STATUS	P1	RELEASE DATE	2020/05/22 16:47:00
-----------------	----	--------------	---------------------