

MATERIAL NO.	ENGINEERING NO.	FINISHED LENGTH
1300100851	114030K03M010	1M (3 FT 3.4 IN)
1300100852	114030K03M020	2M (6 FT 6.7 IN)
1300100853	114030K03M030	3M (9 FT 10.1 IN)
1300100855	114030K03M050	5M (16 FT 4.9 IN)
1300100860	114030K03M100	10M (32 FT 9.7 IN)
1300102178	114030K03M150	15M (49 FT 2.6 IN)
1300102179	114030K03M200	20M (65 FT 7.4 IN)

**CABLE LENGTH TOLERANCES**

<.3M [1FT]: +19mm-0 [+ .75in-0]

.3 - .9M [1 - 3FT]: +44.5mm-0 [+1.75in-0]

.9 - 1.8M [3 - 6FT]: +55.6mm-0 [+2.19in-0]

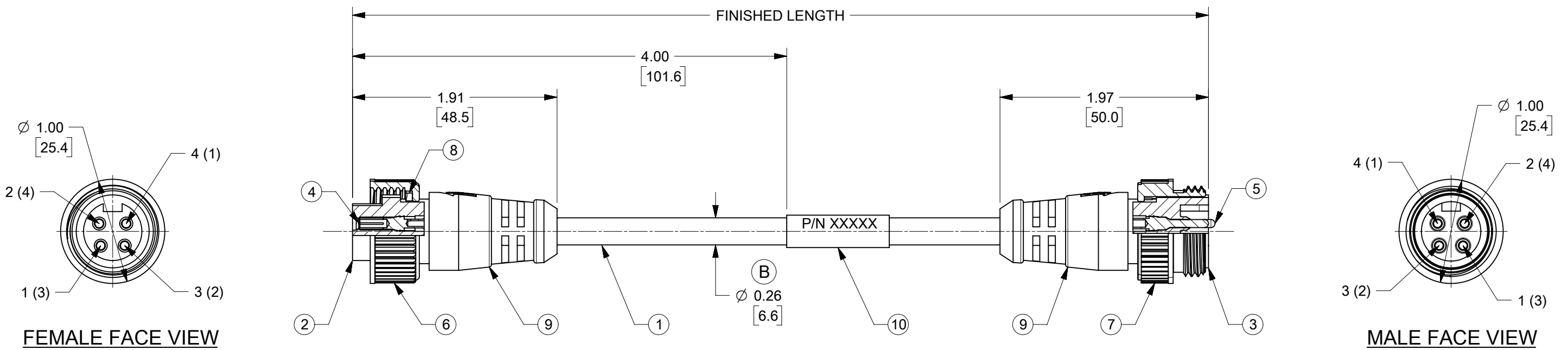
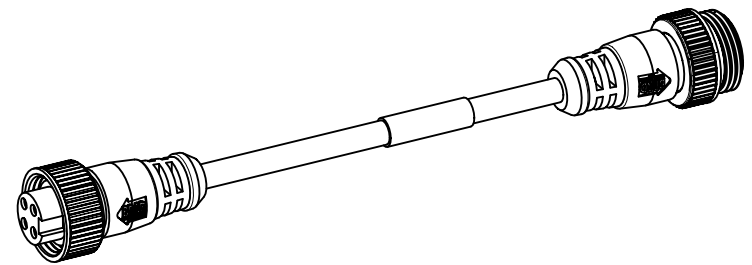
1.8 - 3.7M [6 - 12FT]: +88.9mm-0 [+3.50in-0]

3.7 - 7.3M [12 - 24FT]: +165.1mm-0 [+6.50in-0]

7.3-14.6M [24 - 48FT]: +317.5mm-0 [+12.50in-0]

14.6 - 30.5M [48-100FT]: +622.3mm-0 [+24.50in-0]

OVER 30M [100FT] +2% OF FINISHED LENGTH



**WIRING DIAGRAM**

**PART NUMBER LEGEND**

**114030K03M010**

FINISHED LENGTH :  
M010 = 1.0 METERS  
M100 = 10.0 METERS  
M200 = 20.0 METERS

BLACK	4 (1)
BLUE	3 (2)
BROWN	1 (3)
WHITE	2 (4)

CENELEC EN 50 044 PINOUT SHOWN  
(SAE-J-1738A IN PARENTHESIS)

**MECHANICAL CHARACTERISTICS:**

TORSIONAL FLEX TEST	10 MILLION CYCLES PER MIL-C-13777G
BEND FLEX TEST	10 MILLION CYCLES PER MIL-C-13777G
WELD SLAG RESISTANCE	WOODHEAD STANDARD S-300

- NOTES:**
- 1) MATERIAL: AS NOTED
  - 2) FINISHES: AS NOTED
  - 3) ELECTRICAL DATA:  
VOLTAGE: 300V  
CURRENT: 5.6 AMPS  
PROTECTION: IP67 (WHEN FULLY MATED)  
TEMP RANGE: -20°C TO 105°C (B)
  - 4) COUPLING THREAD: 7/8-16 UN
  - 5) CSA CERTIFIED FILE: LR6837 (B)
  - 6) ALL DIMS ARE FOR REFERENCE UNLESS TOLERANCED OR OTHERWISE NOTED

ITEM	DESCRIPTION	MATERIAL	FINISH
10	WRAP LABEL	VINYL	BLACK/YELLOW
9	OVERMOLD	TPE	YELLOW
8	FRICTION RING	NYLON	WHITE
7	MALE COUPLING NUT	ZINC DIE CAST	BLACK E-COAT
6	FEMALE COUPLING NUT	ZINC DIE CAST	BLACK E-COAT
5	PIN CONTACT	Cu ALLOY	GOLD OVER NICKEL
4	SOCKET CONTACT	Cu ALLOY	GOLD OVER NICKEL
3	MALE INSERT	TPE	YELLOW
2	FEMALE INSERT	TPE	YELLOW
1	CABLE, 4P, 18AWG, ITC/PLTC	TPE JACKET	YELLOW

THIS DRAWING CONTAINS INFORMATION THAT IS PROPRIETARY TO MOLEX ELECTRONIC TECHNOLOGIES, LLC AND SHOULD NOT BE USED WITHOUT WRITTEN PERMISSION									
FUNCTIONAL SYMBOLS	DIMENSION UNITS	SCALE	CURRENT REV DESC: UPDATED MATERIAL TABLE, TOL. TABLE & TEMP RATING. ADDED ITEM 8, CABLE DIA., MECH. CHARACTERISTICS & CSA.						
$\nabla = 0$	INCH/MM	1:1	<b>molex</b> MINI-CHANGE CORDSET, A SIZE 4 POLE, FEMALE/MALE, STRAIGHT, SINGLE KEY, 18 AWG TPE HI-FLEX PRODUCT CUSTOMER DRAWING DOCUMENT NUMBER: 1300102178 DOC TYPE: PSD DOC PART: 000 REVISION: B MATERIAL NUMBER: SEE TABLE CUSTOMER: GENERAL MARKET SHEET NUMBER: 1 OF 1						
$\nabla = 0$	GENERAL TOLERANCES (UNLESS SPECIFIED)								
$\nabla = 0$	ANGULAR TOL $\pm 0.5^\circ$								
DIVISIONAL SYMBOLS	4 PLACES $\pm$								
	3 PLACES $\pm$	2 PLACES $\pm$	EC NO: 701162	DRWN: AKABADI	2021/09/16				
	1 PLACE $\pm$	0 PLACES $\pm$	CHKD: RSTONE	2022/03/30					
	DRAFT WHERE APPLICABLE MUST REMAIN WITHIN DIMENSIONS		APPR: BWOODMAN	2022/04/08					
	THIRD ANGLE PROJECTION		INITIAL REVISION:	DRWN: CCHRSTKA	2019/06/20				
	DRAWING		APPR: BWOODMAN	2019/08/14					
	B-SIZE		SERIES	130010					