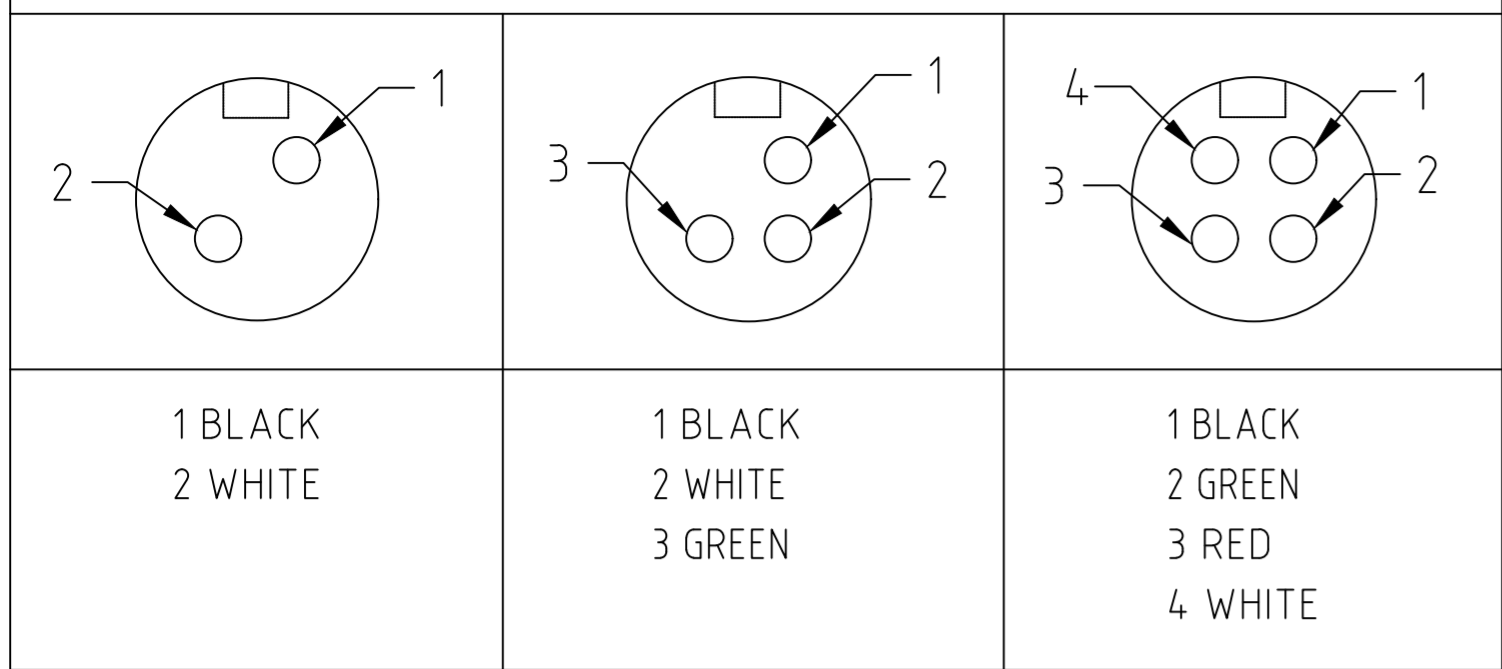


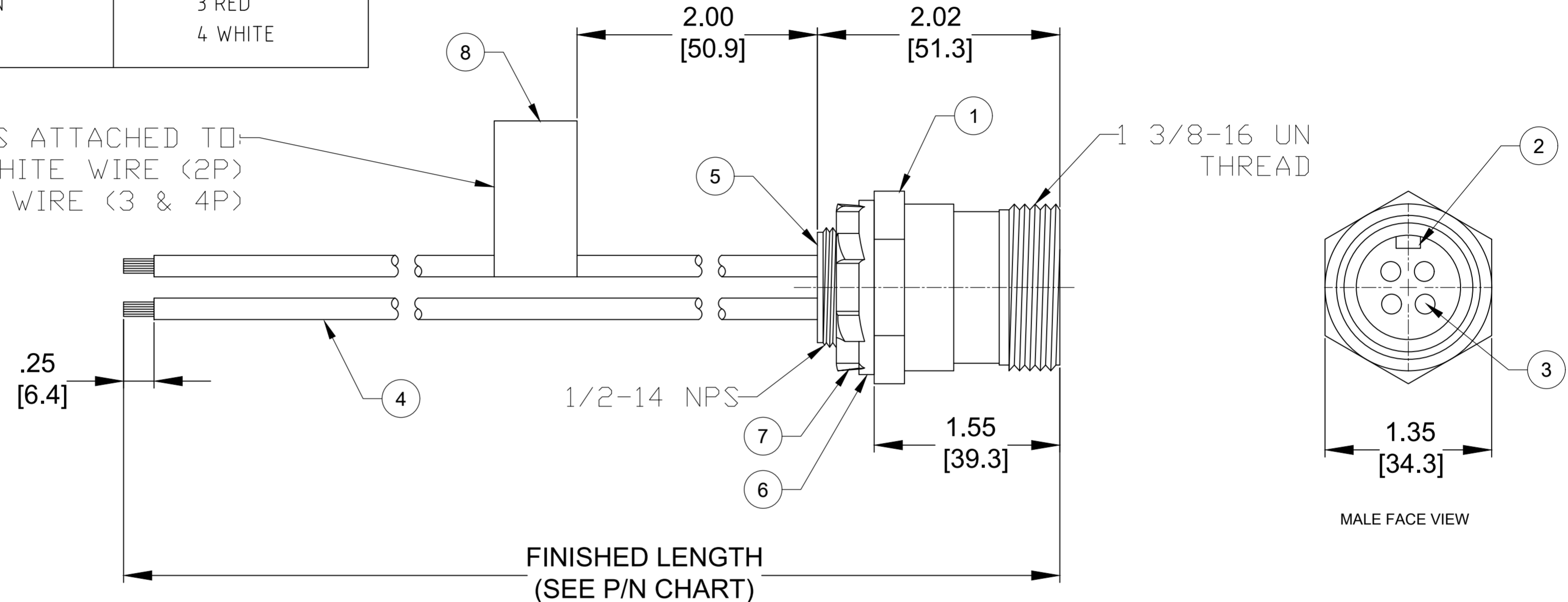
FACE VIEW-MALE INSERT



- |                    |                               |  |
|--------------------|-------------------------------|--|
| 1 BLACK<br>2 WHITE | 1 BLACK<br>2 WHITE<br>3 GREEN | 1 BLACK<br>2 GREEN<br>3 RED<br>4 WHITE |
|--------------------|-------------------------------|--|

MATERIAL NO.	ENGINEERING NO.	POLES	FINISHED LENGTH
1300030015	32065	2	12IN [305mm]
1300030032	32419	3	12IN [305mm]
1300030101	6R3006A30F015	3	18IN [457mm]
1300030061	32767	4	12IN [305mm]
1300030179	6R4006A30F020	4	2.0FT [0.6M]

LABEL IS ATTACHED TO:  
WHITE WIRE (2P)  
GREEN WIRE (3 & 4P)



FINISHED LENGTH  
(SEE P/N CHART)

- NOTES:
1. MATERIAL: AS NOTED
  2. FINISH: AS NOTED
  3. ELECTRICAL:  
VOLTAGE: 600V AC/DC  
CURRENT: 2 & 3 POLE: 30A  
4 POLE: 25A
  4. TEMP RATING: -20°C TO +105°C
  5. PROTECTION: IP67 (WHEN MATED)
  6. COUPLING THREAD: AS NOTED
  7. UL CERTIFIED FILE: E46237  
CSA CERTIFIED FILE: LR6837
  8. ALL DIMS ARE FOR REFERENCE UNLESS TOLERANCED OR NOTED OTHERWISE

PART NUMBER LEGEND

6R4006A30F020  
POLES 2-4  
FINISHED LENGTH:  
A120= 12 INCHES  
F020= 2 FOOT  
F100= 10 FEET  
M005= 0.5 METER  
M010= 1 METER  
M100= 10 METER

CABLE LENGTH TOLERANCES

>.3M [1FT]:	+19mm-0 [+0.75in-0]
.3 - .9M [1 - 3FT]:	+44.5mm-0 [+1.75in-0]
.9 - 1.8M [3 - 6FT]:	+55.6mm-0 [+2.19in-0]
1.8 - 3.7M [6 - 12FT]:	+88.9mm-0 [+3.50in-0]
3.7 - 7.3M [12 - 24FT]:	+165.1mm-0 [+6.50in-0]
7.3-14.6M [24 - 48FT]:	+317.5mm-0 [+12.50in-0]
14.6 - 30.5M [48-100FT]:	+622.3mm-0 [+24.50in-0]
OVER 30M [100FT]	+2% OF FINISHED LENGTH

ITEM	DESCRIPTION	MATERIAL	FINISH
8	WRAP LABEL	VINYL	BLACK/YELLOW
7	LOCK NUT	STEEL	ZINC PLATED
6	GASKET SEAL	NEOPRENE	BLACK
5	POTTING MATERIAL	EPOXY	
4	WIRE, 10 AWG, UL 1015	PVC INSULATION	SEE FACE VIEWS
3	CONTACT PIN	COPPER ALLOY	GOLD PLATED
2	MALE INSERT	RUBBER	YELLOW
1	RECEPTACLE SHELL	NYLON	BLACK

SYMBOLS	THIS DRAWING CONTAINS INFORMATION THAT IS PROPRIETARY TO MOLEX ELECTRONIC TECHNOLOGIES, LLC AND SHOULD NOT BE USED WITHOUT WRITTEN PERMISSION		CURRENT REV DESC: RELEASED	
	DIMENSION UNITS	SCALE		
▽ = 0	INCH/MM	1:1		
▽ = 0	GENERAL TOLERANCES (UNLESS SPECIFIED)			
▽ = 0		mm	INCH	
▽ = 0	4 PLACES	±----	±----	
▽ = 0	3 PLACES	±----	±----	
▽ = 0	2 PLACES	±----	±----	
▽ = 0	1 PLACE	±----	±----	
▽ = 0	0 PLACES	±----	±----	
▽ = 0	ANGULAR TOL ± ---- °			
▽ = 0	DRAFT WHERE APPLICABLE MUST REMAIN WITHIN DIMENSIONS			
▽ = 0	THIRD ANGLE PROJECTION	DRAWING	SERIES	
		C-SIZE	130003	
EC NO: 625795		DRWN: RSTONE	2019/10/11	
CHK'D: MZIELINSKI		2019/10/16		
APPR: BWOODMAN		2019/10/25		
INITIAL REVISION:				
DRWN: RSTONE		2019/10/11		
APPR: BWOODMAN		2019/10/25		
DOCUMENT NUMBER		DOC TYPE	DOC PART	REVISION
1300030015		PSD	000	A
MATERIAL NUMBER		CUSTOMER	SHEET NUMBER	
SEE MAT. NO. CHART		----	1 OF 1	