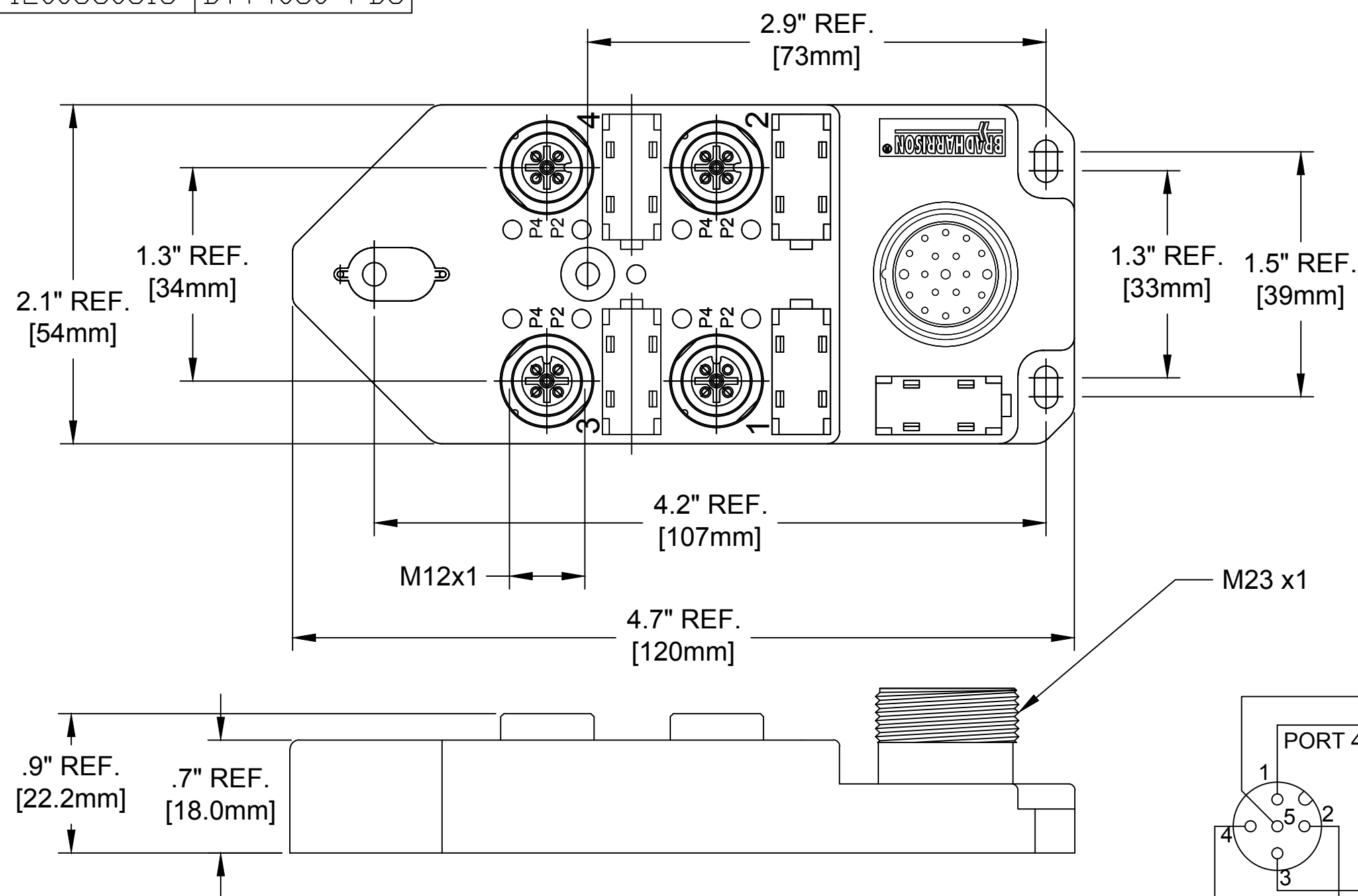
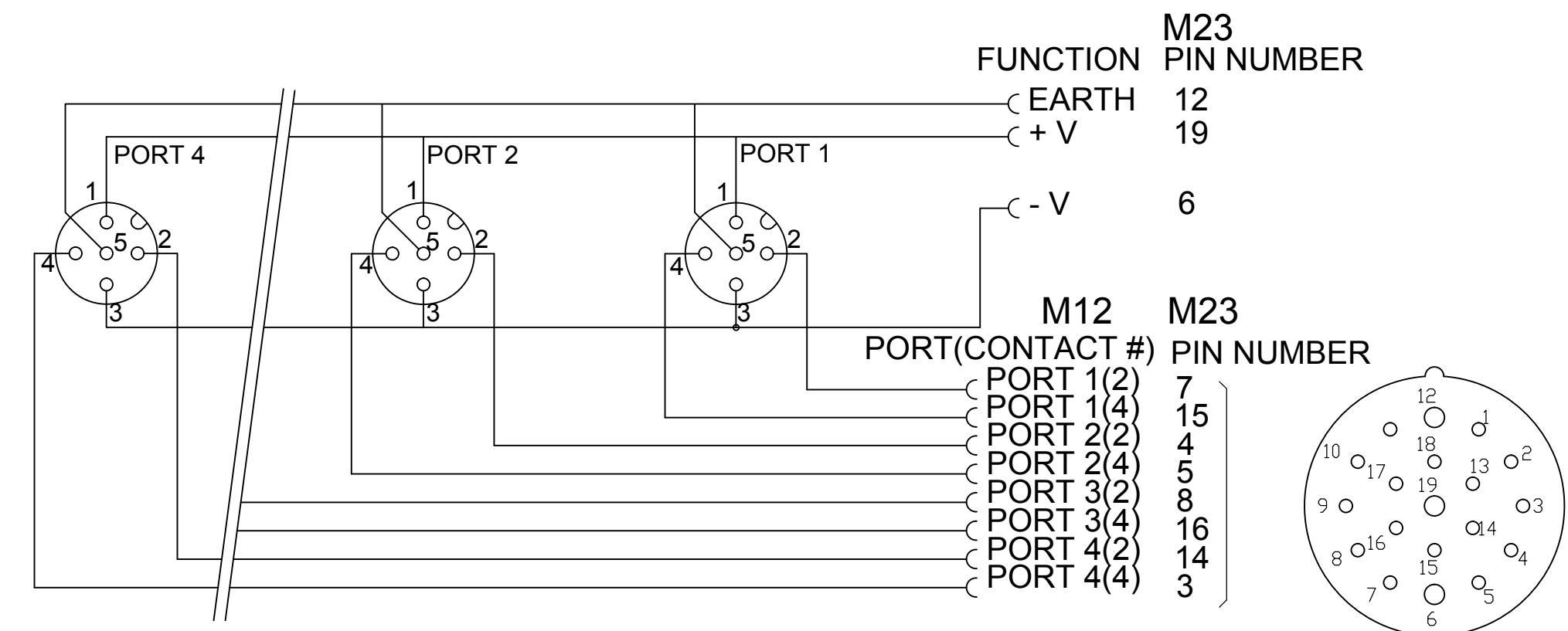


MATERIAL NUMBER	OLD PART NUMBER
1200550313	BTY4030-FBC



**ELECTRICAL DIAGRAM**



FACE VIEW  
MALE M23 CONNECTOR

VOLTAGE RATING	10-30 VDC
AMPERAGE RATING PER PORT	4 AMPS
PROTECTION	IP67
OPERATING TEMPERATURE	-5°C TO 80°C

COMPONENT	MATERIAL	FINISH
M12 INSERT	PBT	YELLOW
CONTACT SOCKET	COPPER ALLOY	GOLD OVER NICKEL
O-RING	VITON	RED
RECEPTACLE SHELL	BRASS	NICKEL PLATED
HOUSING	PBT	YELLOW
LABELS	ABS	WHITE

RELEASE EC NO: IFC2014-0508 DRWN: GGUSTAFS 2013/09/06 CH'KD: VOU APPR: BWOODMAN2013/11/01	QUALITY SYMBOL	GENERAL TOLERANCES (UNLESS SPECIFIED) <table border="1"> <tr> <th></th> <th>mm</th> <th>INCH</th> </tr> <tr> <td>4 PLACES</td> <td>±---</td> <td>±---</td> </tr> <tr> <td>3 PLACES</td> <td>±---</td> <td>±.005</td> </tr> <tr> <td>2 PLACES</td> <td>±0.13</td> <td>±.010</td> </tr> <tr> <td>1 PLACE</td> <td>±0.25</td> <td>±.020</td> </tr> </table>		mm	INCH	4 PLACES	±---	±---	3 PLACES	±---	±.005	2 PLACES	±0.13	±.010	1 PLACE	±0.25	±.020	DIMENSION STYLE	SCALE	DESIGN UNITS	THIRD ANGLE PROJECTION  <b>4 PORT MIC MPIS TOP MOUNT NO LED 19P M M23/HR CONNECTOR</b>  <b>MOLEX INCORPORATED</b>
			mm	INCH																	
	4 PLACES		±---	±---																	
	3 PLACES		±---	±.005																	
2 PLACES	±0.13	±.010																			
1 PLACE	±0.25	±.020																			
▽=0 ▽=0	IN/MM	NTS	INCH																		
DRAFT WHERE APPLICABLE MUST REMAIN WITHIN DIMENSIONS	DRAWN BY DATE GGUSTAFS 2013/09/06 CHECKED BY DATE VOU 2013/10/10 APPROVED BY DATE BWOODMAN 2013/11/01	TITLE																			
MATERIAL NO. <b>SEE CHART</b> SIZE <b>C</b>	DOCUMENT NO. <b>SD-120055-003</b> SHEET NO. <b>1 OF 1</b>																				
THIS DRAWING CONTAINS INFORMATION THAT IS PROPRIETARY TO MOLEX INCORPORATED AND SHOULD NOT BE USED WITHOUT WRITTEN PERMISSION																					