

DETAIL SCALE A
8:1

NOTE:

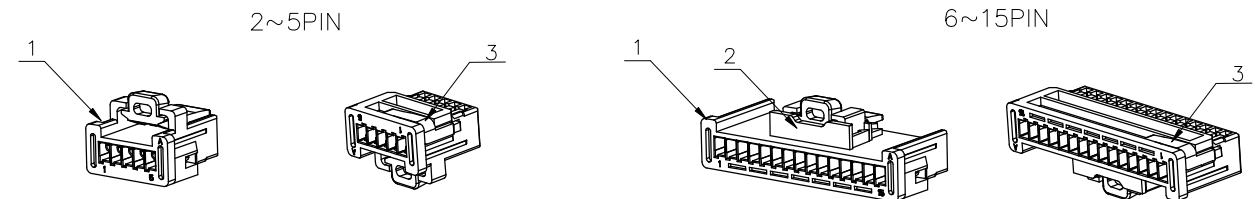
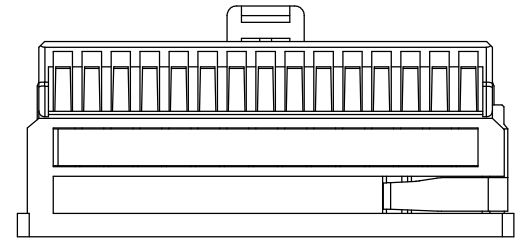
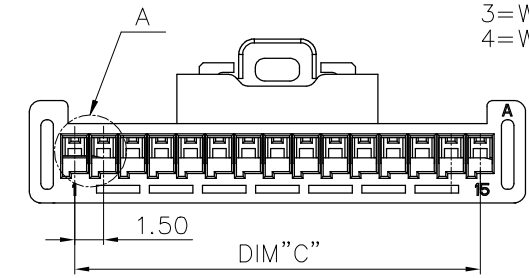
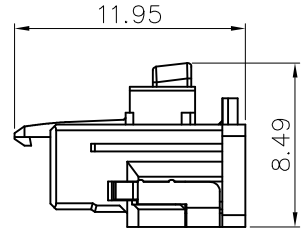
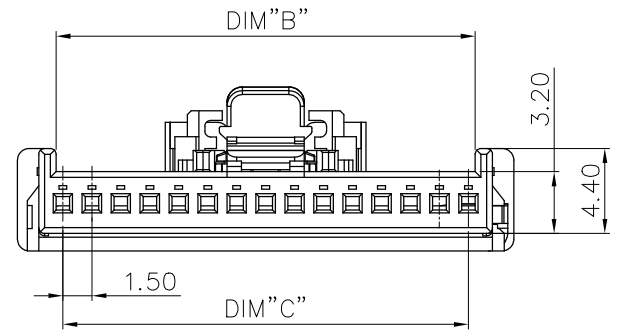
- MATERIAL:
HOUSING: 10158508-XXXXXLF.
HIGH TEMPERATURE THERMOPLASTIC UL94 V-0;
CPA: 10157553-XXXLF.
HIGH TEMPERATURE THERMOPLASTIC UL94 V-0;
TPA: 10158510-XXXXXLF.
HIGH TEMPERATURE THERMOPLASTIC UL94 V-0;
- PACKING: SEE GS-14-2615 .
- PART NUMBER:
10158517 - X XX X X LF

COLOR:
0=WTITEL

PIN NO.:
XX=02~15 PIN

PITCH:
1=1.50mm

- TYPE:
- WITH TPA&CPA(6~15PIN)
 - WITH TPA/WO CPA(2~15PIN)
 - WITH CPA/WO TPA(6~15PIN)
 - WO TPA & CPA



DIM.	10158517-XXXXXLF
A	23.50-(15-XX)1.50
B	21.70-(15-XX)1.50
C	21.00-(15-XX)1.50

mat'l. code		surface	tolerance	projection	product family HPL 542
ISO 1302	ISO 406	ISO 1101			
ltr	ecn no	dr	date	title	
A	-	A.Z	2020/09/23	CABLE CONN. SEMI ASSEMBLY	
tolerances unless otherwise specified				mm	Multipitch WTB
angles	linear	.0±.30		dwg no	
0°±2'		.00±.20		sheet 1 of 1	
				scale	N/A
		dr	Arthur Zhao	2020/09/23	
		eng	Arthur Zhao	2020/09/23	
		chr	Nick ZHANG	2020/09/23	
		appd	Tim Yao	2020/09/23	

ITEM	P/N	DES.	Q'ty
1	10158508-XXXXXLF	HOUSING	1
2	10157553-XXXLF	CPA	1
3	10158510-XXXXXLF	TPA	1

sheet index	revision sheet																			
-------------	----------------	--	--	--	--	--	--	--	--	--	--	--	--	--	--	--	--	--	--	--

Amphenol FCI
type Product Customer Drawing