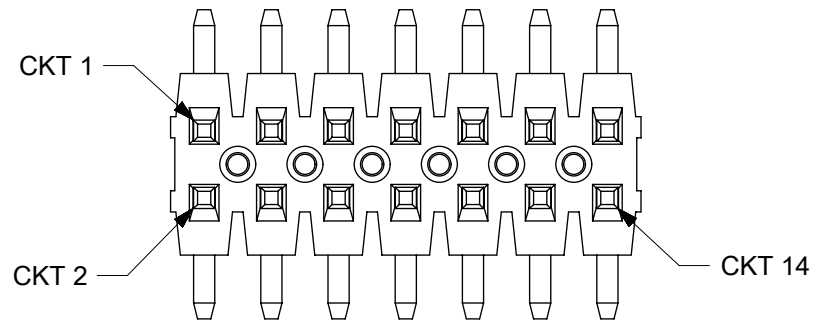
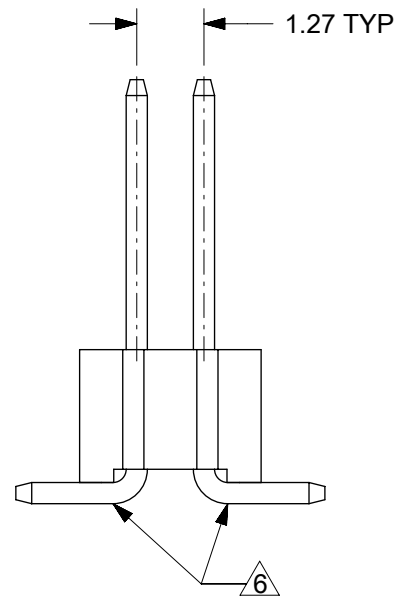
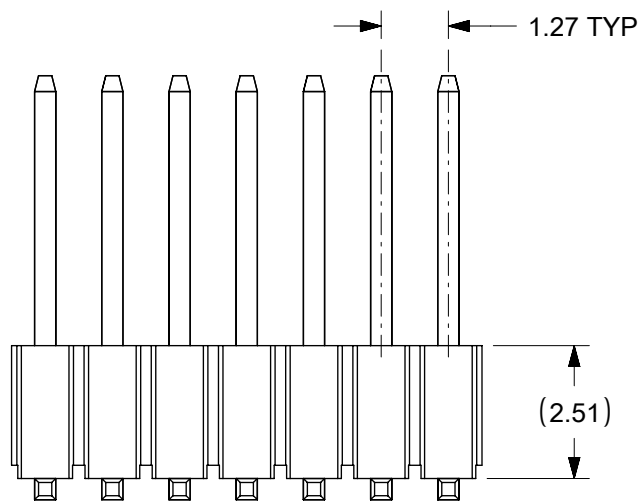


SYMBOLS DIMENSION UNITS: mm, NTS SCALE: NTS GENERAL TOLERANCES (UNLESS SPECIFIED): 4 PLACES ±, 3 PLACES ±, 2 PLACES ± 0.2, 1 PLACE ± ANGULAR TOL ± 3.0° DRAFT WHERE APPLICABLE MUST REMAIN WITHIN DIMENSIONS	THIS DRAWING CONTAINS INFORMATION THAT IS PROPRIETARY TO MOLEX ELECTRONIC TECHNOLOGIES, LLC AND SHOULD NOT BE USED WITHOUT WRITTEN PERMISSION		CURRENT REV DESC: EC NO: 674911 DRWN: ABABUPS 2021/06/09 CHK'D: MRAMAKRISHNA 2021/08/23 APPR: MRAMAKRISHNA 2021/08/23				
	INITIAL REVISION: DRWN: MRAMAKRISHNA 2016/07/25 APPR: ISHWARG 2016/08/02		PRODUCT CUSTOMER DRAWING				
DOCUMENT NUMBER: SD-151159-0001		DOC TYPE: PSD		DOC PART: 000		REVISION: A	
DRAFT WHERE APPLICABLE MUST REMAIN WITHIN DIMENSIONS		THIRD ANGLE PROJECTION		DRAWING: A3-SIZE		SERIES: 151159	
MATERIAL NUMBER: SEE TABLE		CUSTOMER: GENERAL MARKET		SHEET NUMBER: 1 OF 3			

CIRCUITS POSITION CONFIGURATION



PART WITHOUT PEG AND CAP VERSION



NOTES:

1. MATERIAL:
HSG: LCP, GLASS-FILLED, UL94V-0, COLOR: BLACK
CAP: NYLON, GLASS-FILLED, UL94V-0, COLOR: BLACK
PIN: 0.40MM SQ, COPPER ALLOY
2. PLATING TYPE:
 - (1) GOLD FLASH OVER
1.25µm MIN. NICKEL OVERALL.
 - (2) GOLD FLASH ON CONTACT AND
2.50µm MIN. TIN ON SOLDER TAIL OVER
1.25µm MIN. NICKEL OVERALL.
 - (3) 0.38µm MIN. GOLD PLATE ON CONTACT AND
2.00µm MIN. TIN ON SOLDER TAIL OVER
1.25µm MIN. NICKEL OVERALL.
 - (4) 0.76µm MIN. GOLD PLATE ON CONTACT AND
2.00µm MIN. TIN ON SOLDER TAIL OVER
1.25µm MIN. NICKEL OVERALL.
 - (5) 2.50µm MIN. TIN OVERALL
1.25µm MIN. NICKEL OVERALL
3. PACKAGING TYPE: SEE TABLE
4. PCB THICKNESS 1.60+/-0.10mm
5. PRODUCT SPECIFICATION: PS-87933-001
6. BEND DEPRESSION IS ACCEPTED SO LONG AS IT DOES NOT AFFECT THE OVERALL COPLANARITY OF TAIL
7. COPLANARITY IS TO BE MEASURED BY RESTING THE SOLDER TAIL ON A FLAT SURFACE
8. CAP POSITION TO BE LOCATED AT THE CENTER OF DIMENSION (A) REGARDLESS OF CIRCUIT SIZE
TOP SURFACE OF CAP TO BE FLAT FOR THE PURPOSE OF PICK & PLACE BY VACUUM SUCTION NOZZLE
9. IRREGULAR CIRCUIT CUTOFF WITHIN BREAKAWAY SECTION IS PERMISSIBLE. CUTTING OR CHIPPING OF THE MAIN BODY IS NOT ACCEPTABLE
10. PIN PUSH OUT FORCE: 0.4Kgf IN EITHER DIRECTION
11. THE ABOVE CKT 14 IS FOR ILLUSTRATION PURPOSE ONLY
12. PACKAGING SPECIFICATION:
T&R: PK-89990-567
TRAY: PK-89990-568

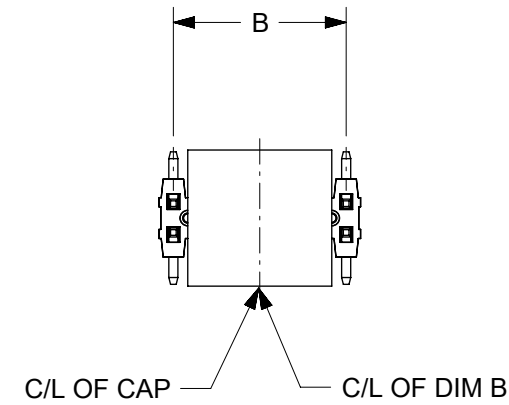
SYMBOLS	THIS DRAWING CONTAINS INFORMATION THAT IS PROPRIETARY TO MOLEX ELECTRONIC TECHNOLOGIES, LLC AND SHOULD NOT BE USED WITHOUT WRITTEN PERMISSION		CURRENT REV DESC:					
	DIMENSION UNITS	SCALE						
▽ = 0	mm	NTS			EC NO: 674911 DRWN: ABABUPS 2021/06/09 CHK'D: MRAMAKRISHNA 2021/08/23 APPR: MRAMAKRISHNA 2021/08/23			
▽ = 0	GENERAL TOLERANCES (UNLESS SPECIFIED)							
▽ = 0			MM	INCH	PRODUCT CUSTOMER DRAWING			
▽ = 0	4 PLACES ±	±						
▽ = 0	3 PLACES ±	±			DOCUMENT NUMBER: SD-151159-0001 DOC TYPE: PSD DOC PART: 000 REVISION: A			
▽ = 0	2 PLACES ±	0.2 ±						
▽ = 0	1 PLACE ±	±			MATERIAL NUMBER: SEE TABLE CUSTOMER: GENERAL MARKET SHEET NUMBER: 2 OF 3			
▽ = 0	0 PLACES ±	±						
▽ = 0	ANGULAR TOL ±	3.0°			INITIAL REVISION: DRWN: MRAMAKRISHNA 2016/07/25 APPR: ISHWARG 2016/08/02			
▽ = 0	DRAFT WHERE APPLICABLE MUST REMAIN WITHIN DIMENSIONS							
▽ = 0			THIRD ANGLE PROJECTION	DRAWING	SERIES	MATERIAL NUMBER	CUSTOMER	SHEET NUMBER
▽ = 0				A3-SIZE	151159	SEE TABLE	GENERAL MARKET	2 OF 3

CKT SIZE	DIMENSION		
	A	B	C
04	2.54	1.27	-
06	3.81	2.54	--
08	5.08	3.81	-
10	6.35	5.08	3.81
12	7.62	6.35	-
14	8.89	7.62	-
16	10.16	8.89	-
18	11.43	10.16	-
20	12.70	11.43	10.16
20	12.70	11.43	-
22	13.97	12.70	-
24	15.24	13.97	-
26	16.51	15.24	-
28	17.78	16.51	-
30	19.05	17.78	16.51
32	20.32	19.05	-
34	21.59	20.32	-
36	22.86	21.59	-
38	24.13	22.86	-
40	25.40	24.13	22.86
42	26.67	25.40	-
44	27.94	26.67	-
46	29.21	27.94	-
48	30.48	29.21	-
50	31.75	30.48	29.21
64	40.64	39.37	-

PART NUMBER IN PACKAGIN OPTION				CKT SIZE	PEG	PLATE OPT.	VOID POSITION	DIMENSION					
TRAY WITHOUT CAP	TAPE & REEL WITH CAP W/O PEG	TUBE WITHOUT CAP	TUBE WITH CAP					G	F	MATING END M	E	J	(K)
-	-	151159-0400	-	04	NO	1	-	-	6.51	3.00	1.00	1.92	5.10
-	151159-0600	-	-	06	NO	5	-	10.81	10.01	6.50	1.00	2.36	6.00
151159-0601	-	-	-	06	NO	1	-	-	8.31	4.80	1.00	2.36	6.00
151159-0602	-	-	-	06	NO	1	-	-	8.01	4.50	1.00	2.36	6.00
151159-0603	-	-	-	06	NO	1	-	-	8.51	5.00	1.00	2.36	6.00
-	151159-1000	-	-	10	NO	3	7	7.21	6.43	3.05	0.87	2.28	5.84
151159-1003	-	-	-	10	NO	1	-	-	8.51	5.00	1.00	2.36	6.00
-	151159-1200	-	-	12	NO	5	-	10.42	9.62	5.84	1.27	2.28	5.84
151159-1201	-	-	-	12	NO	1	-	-	18.51	15.00	1.00	1.92	5.10
151159-1401	-	-	-	14	NO	3	-	-	6.78	3.00	1.27	2.36	6.00
-	151159-1601	17	-	16	NO	1	-	7.81	6.51	3.00	1.00	4.365	10.00
151159-2000	-	-	-	20	NO	4	-	-	8.61	4.83	1.27	2.36	6.00
-	151159-2400	-	-	24	NO	5	-	13.31	12.51	9.00	1.00	2.36	6.00
151159-2401	-	-	-	24	NO	5	-	-	15.81	12.30	1.00	2.36	6.00
-	151159-6400	-	-	64	NO	1	-	7.21	5.96	3.05	0.40	2.28	5.84
-	-	151159-7800	-	78	NO	2	-	-	5.01	2.00	0.50	2.115	5.50

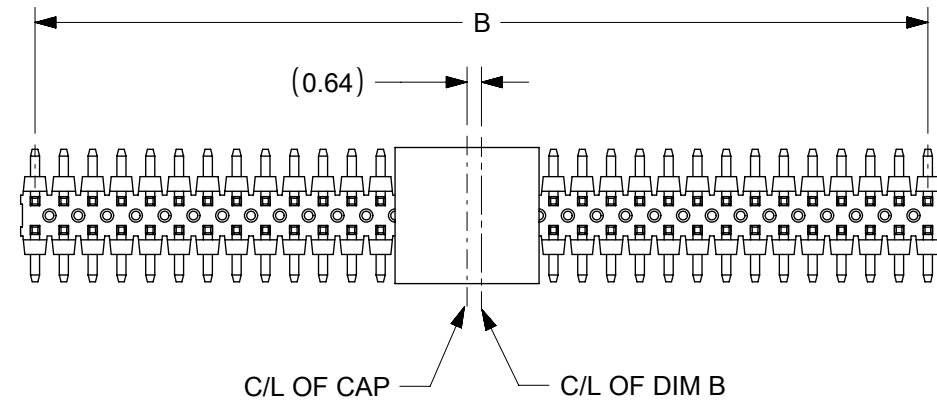
CAP POSITION ILLUSTRATION FOR REFERENCE

FOR ILLUSTRATION 14 CKT AS SHOWN



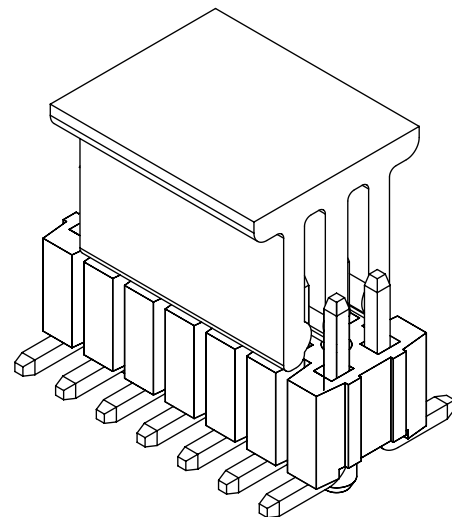
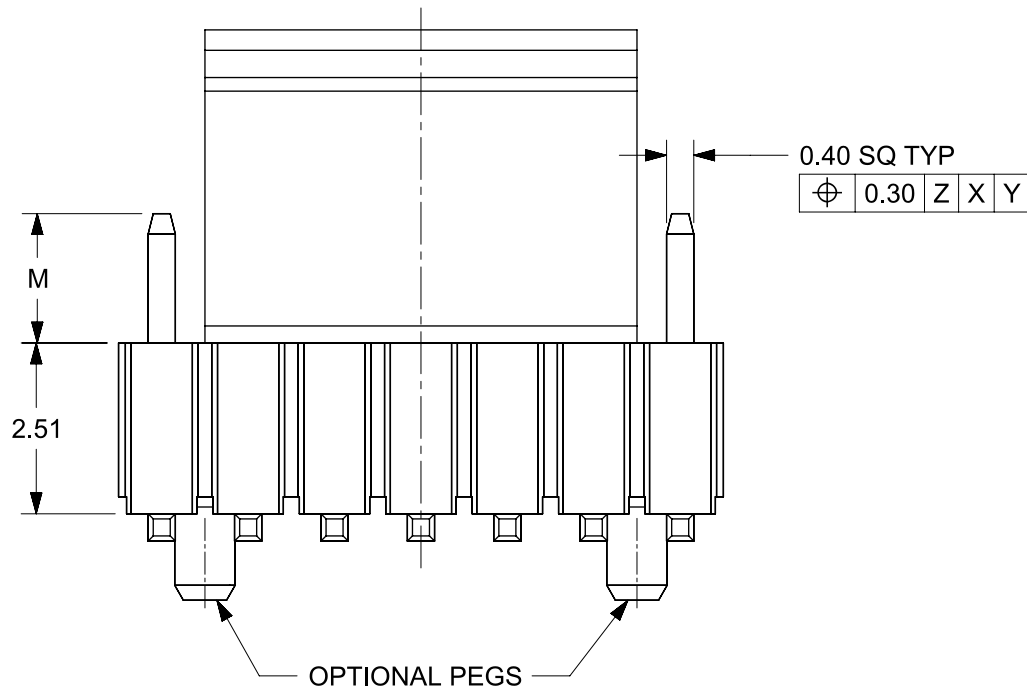
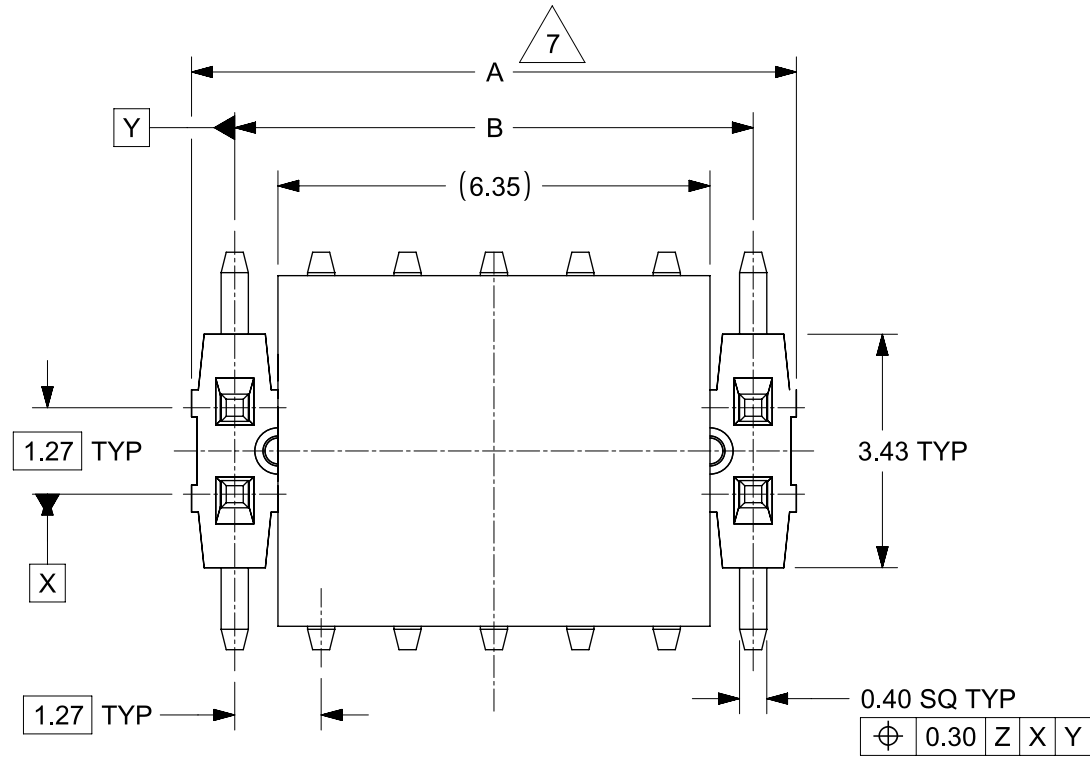
C/L OF DIM B = C/L OF CAP FOR ODD CKT COLUMN

FOR ILLUSTRATION 64 CKT AS SHOWN



C/L OF DIM B IS OFFSET WITH C/L OF CAP FOR EVEN CKT COLUMN

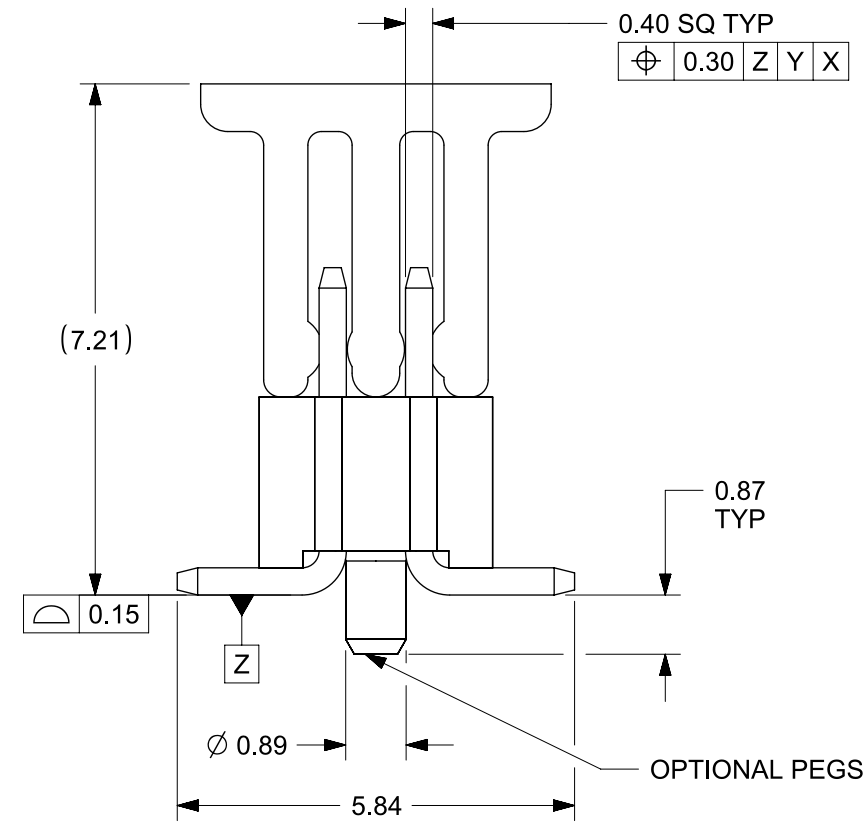
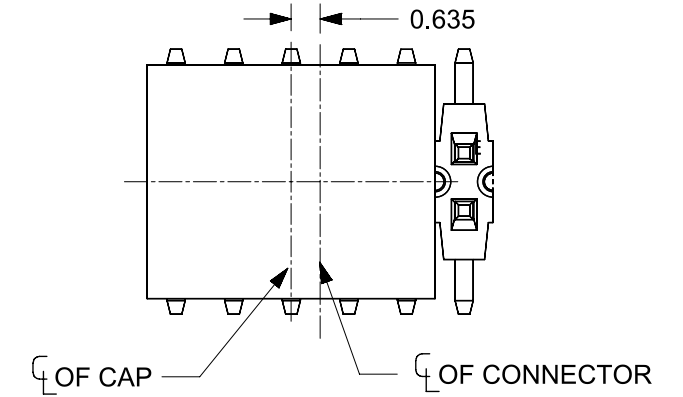
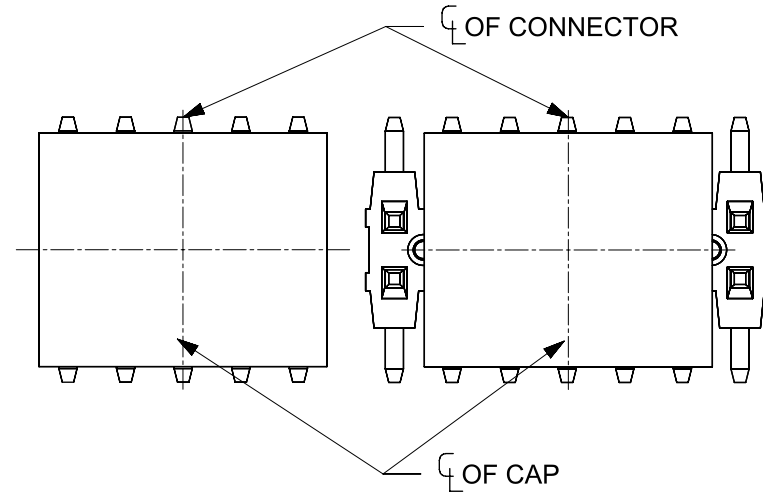
SYMBOLS ▽ = 0 ▽ = 0 ▽ = 0 ▽ = 0 ▽ = 0 ▽ = 0 ▽ = 0 ▽ = 0 ▽ = 0	THIS DRAWING CONTAINS INFORMATION THAT IS PROPRIETARY TO MOLEX ELECTRONIC TECHNOLOGIES, LLC AND SHOULD NOT BE USED WITHOUT WRITTEN PERMISSION		SCALE mm NTS		CURRENT REV DESC:					
	DIMENSION UNITS		GENERAL TOLERANCES (UNLESS SPECIFIED)		EC NO: 674911 DRWN: ABABUPS 2021/06/09 CHK'D: MRAMAKRISHNA 2021/08/23 APPR: MRAMAKRISHNA 2021/08/23				CUSTOMER DRAWING 1.27MM PITCH DUAL ROW HEADER, SINGLE WAFER, SMT	
	4 PLACES ± 3 PLACES ± 2 PLACES ± 0.2 ± 1 PLACE ±		MM INCH ANGULAR TOL ± 3.0°		INITIAL REVISION: DRWN: MRAMAKRISHNA 2016/07/25 APPR: ISHWARG 2016/08/02		DOCUMENT NUMBER SD-151159-0001		DOC TYPE DOC PART REVISION PSD 000 A	
	DRAFT WHERE APPLICABLE MUST REMAIN WITHIN DIMENSIONS		THIRD ANGLE PROJECTION		DRAWING SERIES A3-SIZE 151159		MATERIAL NUMBER CUSTOMER SEE TABLE GENERAL MARKET		SHEET NUMBER 3 OF 3	



6 CAP POSITION WITH RESPECT TO CONNECTOR

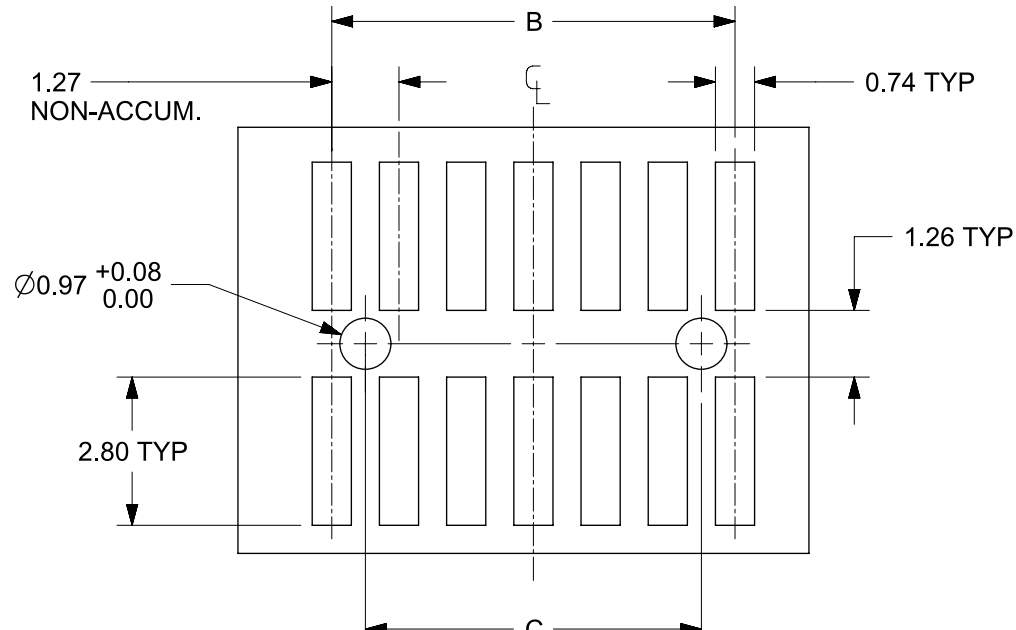
FOR CKT 10 & BELOW & CKT 14, 18, 22, 26, 30,
34, 38, 42, 46, 50, 54, 58, 62, 66, 70, 74, 78, 82,
86, 90, 94, 98

FOR 12, 16, 20, 24, 28, 32, 36, 40, 44, 48, 52,
56, 60, 64, 68, 72, 76, 80, 84, 86, 92, 96, 100

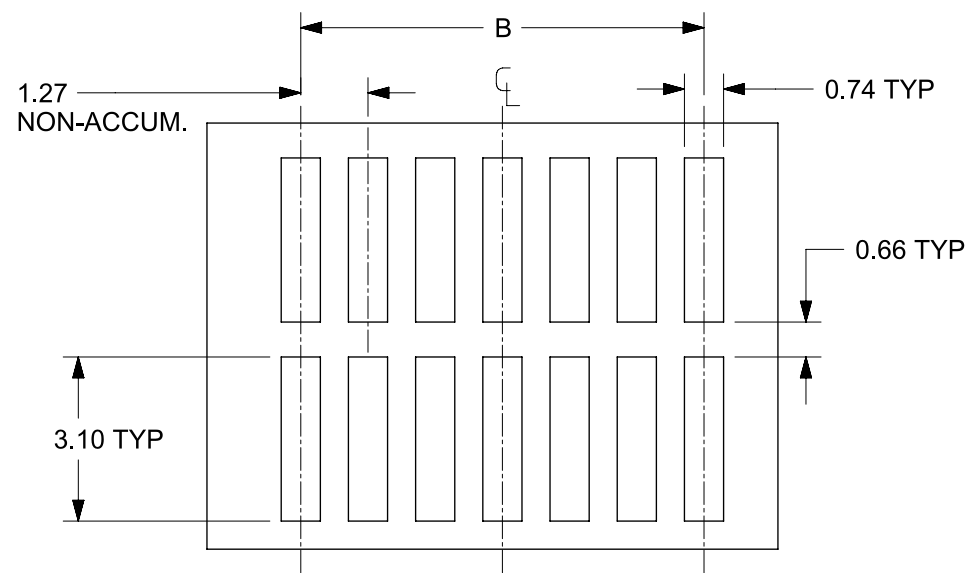


THIS DRAWING CONTAINS INFORMATION THAT IS PROPRIETARY TO MOLEX ELECTRONIC TECHNOLOGIES, LLC AND SHOULD NOT BE USED WITHOUT WRITTEN PERMISSION		CURRENT REV DESC:		molex	
DIMENSION UNITS	SCALE				
mm	NTS			1.27MM PITCH SMT HEADER WITH CAP PACKED IN TUBE	
GENERAL TOLERANCES (UNLESS SPECIFIED)				PRODUCT CUSTOMER DRAWING	
ANGULAR TOL ± 3.0°				DOCUMENT NUMBER	
4 PLACES ±		EC NO: 743277		SD-87933-0001	
3 PLACES ±		DRWN: DANUSA	2022/11/18	DOC TYPE	DOC PART
2 PLACES ±	0.2	CHK'D: SUAIFR	2023/03/22	PSD	000
1 PLACE ±		APPR: MRAMAKRISHNA	2023/03/23	REVISION	
0 PLACES ±		INITIAL REVISION:		C5	
DRAFT WHERE APPLICABLE MUST REMAIN WITHIN DIMENSIONS		THIRD ANGLE PROJECTION	DRAWING	SERIES	SHEET NUMBER
			A3-SIZE	87933	1 OF 6
		MATERIAL NUMBER	CUSTOMER		
		SEE TABLE	GENERAL MARKET		

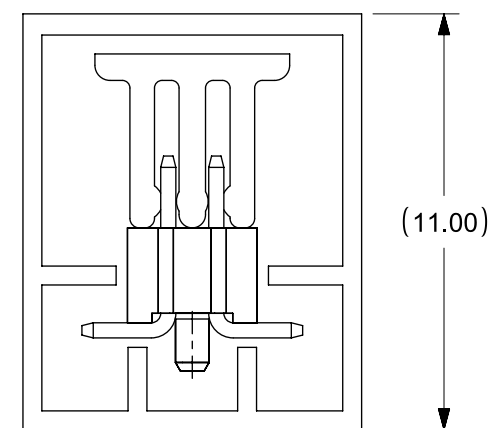
CKT SIZE	DIM A	DIM B	DIM C
4	2.54	1.27	-
6	3.81	2.54	-
8	5.08	3.81	-
10	6.35	5.08	3.81
12	7.62	6.35	-
14	8.89	7.62	-
16	10.16	8.89	-
18	11.43	10.16	-
20	12.70	11.43	10.16
22	13.97	12.70	-
24	15.24	13.97	-



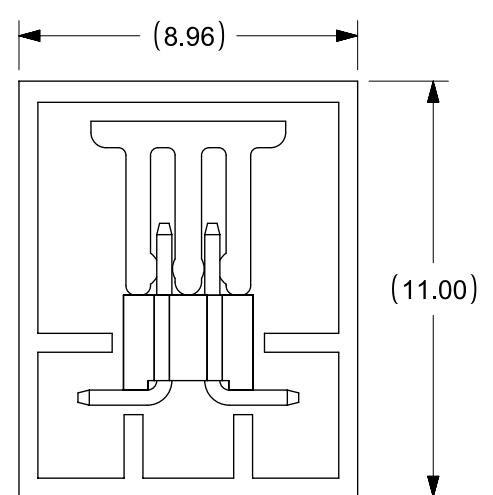
RECOMMENDED PCB LAYOUT
(PARTS WITH PEGS)
MANUFACTURING TOLERANCE ±0.05



RECOMMENDED PCB LAYOUT
(IMPROVED FOR WITHOUT PEGS OPTION)
MANUFACTURING TOLERANCE ±0.05



PART WITH PEG & CAP
PACKED IN TUBE





PART WITHOUT PEG &
WITH CAP PACKED IN TUBE

- NOTE:
- MATERIAL: HOUSING: LCP GLASS FILLED, COLOR: BLACK
TERMINAL: COPPER ALLOY
 - PIN PUSHOUT FORCE: 0.4KG MIN. IN EITHER DIRECTION.
 - PLATING FINISH:
 - 2 MICRO INCH MIN. GOLD FLASH OVERALL, 50 MICRO INCH MIN. NICKEL UNDERPLATED
 - 100 MICRO INCH MIN. TIN OVERALL, 50 MICRO INCH MIN. NICKEL UNDERPLATED
 - 30 MICRO INCH MIN. GOLD PLATE IN SELECTED AREA AND 80 MICRO INCH MIN. TIN IN SELECTED AREA OVER, 50 MICRO INCH MIN. NICKEL UNDERPLATED
 - 15 MICRO INCH MIN. GOLD PLATE IN SELECTED AREA AND 80 MICRO INCH MIN. TIN IN SELECTED AREA OVER, 50 MICRO INCH MIN. NICKEL UNDERPLATED
 - 2 MICRO INCH MIN. GOLD FLASH IN SELECTED AREA AND 100 MICRO INCH MIN. TIN IN SELECTED AREA OVER, 50 MICRO INCH MIN. NICKEL UNDERPLATED
 - THE ABOVE 14 CKT SHOWN IS FOR ILLUSTRATION ONLY.
 - PARTS TO BE PACKED IN TUBE EXCEPT FOR 4 CKTS.
 - POSITION OF CAP TO BE LOCATED AS SHOWN.
 - IRREGULAR CIRCUIT CUTOFF WITHIN BREAKAWAY SECTION IS PERMISSIBLE. CUTTING OR CHIPPING OF THE MAIN BODY IS NOT ACCEPTABLE.
 - PACKAGING SPECIFICATION REFER TO
TUBE : PK-89990-565
TAPE & REEL : PK-87933-300
 - PRODUCT SPECIFICATION: 879330001_PS
 - MATED SERIES: 78120 EXCEPT FOR FULL TIN PLATING FINISH
 - PARTS CONFORMS TO CLASS "B" REQUIREMENT TO COSMETIC SPECIFICATION PS-45499-002

THIS DRAWING CONTAINS INFORMATION THAT IS PROPRIETARY TO MOLEX ELECTRONIC TECHNOLOGIES, LLC AND SHOULD NOT BE USED WITHOUT WRITTEN PERMISSION													
DIMENSION UNITS		SCALE		CURRENT REV DESC:				molex					
mm		NTS											
GENERAL TOLERANCES (UNLESS SPECIFIED)				EC NO: 743277 DRWN: DANUSA 2022/11/18 CHK'D: SUAIFR 2023/03/22 APPR: MRAMAKRISHNA 2023/03/23 INITIAL REVISION: DRWN: SCHEONG 2016/09/14 APPR: SCHEONG 2016/11/10				1.27MM PITCH SMT HEADER WITH CAP PACKED IN TUBE					
ANGULAR TOL ± 3.0°								PRODUCT CUSTOMER DRAWING					
4 PLACES ±								DOCUMENT NUMBER		DOC TYPE		DOC PART REVISION	
3 PLACES ±								SD-87933-0001		PSD		000 C5	
2 PLACES ±		0.2						MATERIAL NUMBER		CUSTOMER		SHEET NUMBER	
1 PLACE ±				SEE TABLE		GENERAL MARKET		2 OF 6					
0 PLACES ±													
DRAFT WHERE APPLICABLE MUST REMAIN WITHIN DIMENSIONS				THIRD ANGLE PROJECTION		DRAWING		SERIES					
				A3-SIZE		87933							


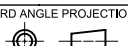
	10	9	8	7	6	5	4	3	2	1
	P/N WITH CAP PACKED IN T&R	TOOLED	NOT TOOLED	P/N WITH CAP PACKED IN TUBE	PEG	CKT SIZE	PLATING OPTIONS	DIM. M		
F	87933-0422		X	-	N	04	1	1.65		
	87933-0438		X	-	N	04	2	1.65		
	87933-0439		X	-	N	04	3	1.65		
	87933-0440		X	-	N	04	4	1.65		
	87933-0446		X	-	N	04	5	1.65		
	87933-0441		X	-	N	04	1	1.91		
	87933-0442		X	-	N	04	2	1.91		
	87933-0443		X	-	N	04	3	1.91		
E	87933-0444		X	-	N	04	4	1.91		
	87933-0448		X	-	N	04	5	1.91		
	87933-0425		X	-	N	04	1	3.05		
	87933-0426		X	-	N	04	2	3.05		
	87933-0427		X	-	N	04	3	3.05		
	87933-0428		X	-	N	04	4	3.05		
	87933-0424		X	-	N	04	5	3.05		
	87933-0622	X		87933-0607	N	06	1	1.65		
D	87933-0638	X		87933-0608	N	06	2	1.65		
	87933-0639	X		87933-0609	N	06	3	1.65		
	87933-0640	X		87933-0610	N	06	4	1.65		
	87933-0646	X		87933-0645	N	06	5	1.65		
	87933-0641	X		87933-0611	N	06	1	1.91		
	87933-0642	X		87933-0612	N	06	2	1.91		
	87933-0643	X		87933-0613	N	06	3	1.91		
	87933-0644	X		87933-0614	N	06	4	1.91		
	87933-0648	X		87933-0647	N	06	5	1.91		
C	87933-0625	X		87933-0615	N	06	1	3.05		
	87933-0626	X		87933-0616	N	06	2	3.05		
	87933-0627	X		87933-0617	N	06	3	3.05		
	87933-0628	X		87933-0618	N	06	4	3.05		
	87933-0624	X		87933-0623	N	06	5	3.05		
	87933-0822		X	87933-0807	N	08	1	1.65		
	87933-0838		X	87933-0808	N	08	2	1.65		
	87933-0839		X	87933-0809	N	08	3	1.65		
B	87933-0840		X	87933-0810	N	08	4	1.65		
	87933-0846		X	87933-0845	N	08	5	1.65		
	87933-0841		X	87933-0811	N	08	1	1.91		
	87933-0842		X	87933-0812	N	08	2	1.91		
	87933-0843		X	87933-0813	N	08	3	1.91		
	87933-0844		X	87933-0814	N	08	4	1.91		
	87933-0848		X	87933-0847	N	08	5	1.91		
	87933-0825		X	87933-0815	N	08	1	3.05		
A	87933-0826		X	87933-0816	N	08	2	3.05		
	87933-0827		X	87933-0817	N	08	3	3.05		

	10	9	8	7	6	5	4	3	2	1
	P/N WITH CAP PACKED IN T&R	TOOLED	NOT TOOLED	P/N WITH CAP PACKED IN TUBE	PEG	CKT SIZE	PLATING OPTIONS	DIM. M		
	87933-0828		X	-	N	08	4	3.05		
	87933-0824	X		-	N	08	5	3.05		
	87933-1022	X		-	N	10	1	1.65		
	87933-1038	X		-	N	10	2	1.65		
	87933-1039	X		-	N	10	3	1.65		
	87933-1040	X		-	N	10	4	1.65		
	87933-1046	X		-	N	10	5	1.65		
	87933-1041	X		-	N	10	1	1.91		
	87933-1042	X		-	N	10	2	1.91		
	87933-1043	X		-	N	10	3	1.91		
	87933-1044	X		-	N	10	4	1.91		
	87933-1048	X		-	N	10	5	1.91		
	87933-1025	X		-	N	10	1	3.05		
	87933-1026	X		-	N	10	2	3.05		
	87933-1021	X		-	N	10	3	3.05		
	87933-1028	X		87933-1058	N	10	4	3.05		
	87933-1024	X		-	N	10	5	3.05		
	87933-1237		X	-	N	12	1	1.65		
	87933-1238		X	-	N	12	2	1.65		
	87933-1239		X	-	N	12	3	1.65		
	87933-1240		X	-	N	12	4	1.65		
	87933-1246		X	-	N	12	5	1.65		
	87933-1241		X	-	N	12	1	1.91		
	87933-1242		X	-	N	12	2	1.91		
	87933-1243		X	-	N	12	3	1.91		
	87933-1244		X	-	N	12	4	1.91		
	87933-1248		X	-	N	12	5	1.91		
	87933-1225		X	-	N	12	1	3.05		
	87933-1229		X	-	N	12	2	3.05		
	87933-1227		X	-	N	12	3	3.05		
	87933-1232		X	-	N	12	4	3.05		
	87933-1224		X	-	N	12	5	3.05		


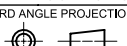
THIS DRAWING CONTAINS INFORMATION THAT IS PROPRIETARY TO MOLEX ELECTRONIC TECHNOLOGIES, LLC AND SHOULD NOT BE USED WITHOUT WRITTEN PERMISSION									
DIMENSION UNITS		SCALE		CURRENT REV DESC:					
mm		NTS		 1.27MM PITCH SMT HEADER WITH CAP PACKED IN TUBE					
GENERAL TOLERANCES (UNLESS SPECIFIED)									
ANGULAR TOL ± 3.0°									
4 PLACES ±		EC NO: 743277							
3 PLACES ±		DRWN: DANUSA 2022/11/18							
2 PLACES ± 0.2		CHK'D: SUAIFR 2023/03/22							
1 PLACE ±		APPR: MRAMAKRISHNA 2023/03/23							
0 PLACES ±		INITIAL REVISION:							
DRAFT WHERE APPLICABLE MUST REMAIN WITHIN DIMENSIONS		THIRD ANGLE PROJECTION		DRAWING		SERIES		DOCUMENT NUMBER	
				A3-SIZE		87933		SD-87933-0001	
				MATERIAL NUMBER		CUSTOMER		DOC TYPE DOC PART REVISION	
				SEE TABLE		GENERAL MARKET		PSD 000 C5	
								SHEET NUMBER	
								3 OF 6	

10	9	8	7	6
P/N WITH CAP PACKED IN T&R	TOOLED	NOT TOOLED	P/N WITH CAP PACKED IN TUBE	DIM. M
87933-1422		X	87933-1407	1.65
87933-1438		X	87933-1408	1.65
87933-1439		X	87933-1409	1.65
87933-1440		X	87933-1410	1.65
87933-1446		X	87933-1445	1.65
87933-1441		X	87933-1411	1.91
87933-1442		X	87933-1412	1.91
87933-1443		X	87933-1413	1.91
87933-1444		X	87933-1414	1.91
87933-1448		X	87933-1447	1.91
87933-1425		X	87933-1415	3.05
87933-1426		X	87933-1416	3.05
87933-1427		X	87933-1417	3.05
87933-1428		X	87933-1418	3.05
87933-1424		X	87933-1423	3.05
87933-1622		X	87933-1607	1.65
87933-1638		X	87933-1608	1.65
87933-1639		X	87933-1609	1.65
87933-1640		X	87933-1610	1.65
87933-1646		X	87933-1645	1.65
87933-1641		X	87933-1611	1.91
87933-1642		X	87933-1612	1.91
87933-1643		X	87933-1613	1.91
87933-1644		X	87933-1614	1.91
87933-1648		X	87933-1647	1.91
87933-1625		X	87933-1615	3.05
87933-1626		X	87933-1616	3.05
87933-1627		X	87933-1617	3.05
87933-1628		X	87933-1618	3.05
87933-1624		X	87933-1623	3.05
87933-1822		X	87933-1807	1.65
87933-1838		X	87933-1808	1.65
87933-1839		X	87933-1809	1.65
87933-1840		X	87933-1810	1.65
87933-1846		X	87933-1845	1.65
87933-1841		X	87933-1811	1.91
87933-1842		X	87933-1812	1.91
87933-1843		X	87933-1813	1.91
87933-1844		X	87933-1814	1.91
87933-1848		X	87933-1847	1.91
87933-1825		X	87933-1815	3.05
87933-1826		X	87933-1816	3.05
87933-1827		X	87933-1817	3.05

5	4	3	2	1
P/N WITH CAP PACKED IN T&R	TOOLED	NOT TOOLED	P/N WITH CAP PACKED IN TUBE	DIM. M
87933-1828	X		87933-1818	3.05
87933-1824	X		87933-1823	3.05
87933-2037	X		87933-2007	1.65
87933-2038	X		87933-2008	1.65
87933-2039	X		87933-2009	1.65
87933-2040	X		87933-2010	1.65
87933-2046	X		87933-2045	1.65
87933-2041	X		87933-2011	1.91
87933-2042	X		87933-2012	1.91
87933-2043	X		87933-2013	1.91
87933-2044	X		87933-2014	1.91
87933-2048	X		87933-2047	1.91
87933-2025	X		87933-2015	3.05
87933-2026	X		87933-2016	3.05
87933-2027	X		87933-2017	3.05
87933-2021	X		87933-2018	3.05
87933-2024	X		87933-2023	3.05
87933-2237		X	87933-2207	1.65
87933-2238		X	87933-2208	1.65
87933-2239		X	87933-2209	1.65
87933-2240		X	87933-2210	1.65
87933-2246		X	87933-2245	1.65
87933-2241		X	87933-2211	1.91
87933-2242		X	87933-2212	1.91
87933-2243		X	87933-2213	1.91
87933-2244		X	87933-2214	1.91
87933-2248		X	87933-2247	1.91
87933-2225		X	87933-2215	3.05
87933-2226		X	87933-2216	3.05
87933-2227		X	87933-2217	3.05
87933-2228		X	87933-2218	3.05
87933-2224		X	87933-2223	3.05

THIS DRAWING CONTAINS INFORMATION THAT IS PROPRIETARY TO MOLEX ELECTRONIC TECHNOLOGIES, LLC AND SHOULD NOT BE USED WITHOUT WRITTEN PERMISSION															
DIMENSION UNITS		SCALE		CURRENT REV DESC:											
mm		NTS													
GENERAL TOLERANCES (UNLESS SPECIFIED)				EC NO: 743277 DRWN: DANUSA 2022/11/18 CHK'D: SUAIFR 2023/03/22 APPR: MRAMAKRISHNA 2023/03/23				1.27MM PITCH SMT HEADER WITH CAP PACKED IN TUBE							
ANGULAR TOL ± 3.0°															
4 PLACES ±								PRODUCT CUSTOMER DRAWING							
3 PLACES ±															
2 PLACES ± 0.2															
1 PLACE ±				INITIAL REVISION:		DOCUMENT NUMBER		DOC TYPE	DOC PART	REVISION					
0 PLACES ±				DRWN: SCHEONG 2016/09/14		SD-87933-0001		PSD	000	C5					
DRAFT WHERE APPLICABLE MUST REMAIN WITHIN DIMENSIONS				THIRD ANGLE PROJECTION		DRAWING		SERIES		MATERIAL NUMBER		CUSTOMER		SHEET NUMBER	
						A3-SIZE		87933		SEE TABLE		GENERAL MARKET		4 OF 6	

	10	9	8	7	6	5	4	3	2	1
	P/N WITH CAP PACKED IN T&R	TOOLED	NOT TOOLED	P/N WITH CAP PACKED IN TUBE	PEG	CKT SIZE	PLATING OPTIONS	DIM. M		
F	87933-2437		X	87933-2407	N	24	1	1.65		
	87933-2438		X	87933-2408	N	24	2	1.65		
	87933-2439		X	87933-2409	N	24	3	1.65		
	87933-2440		X	87933-2410	N	24	4	1.65		
	87933-2446		X	87933-2445	N	24	5	1.65		
	87933-2441		X	87933-2411	N	24	1	1.91		
	87933-2442		X	87933-2412	N	22	2	1.91		
	87933-2443		X	87933-2413	N	24	3	1.91		
E	87933-2444		X	87933-2414	N	24	4	1.91		
	87933-2448		X	87933-2447	N	24	5	1.91		
	87933-2425		X	87933-2415	N	24	1	3.05		
	87933-2426		X	87933-2416	N	24	2	3.05		
	87933-2427		X	87933-2417	N	24	3	3.05		
	87933-2428		X	87933-2418	N	24	4	3.05		
	87933-2424		X	87933-2423	N	24	5	3.05		

THIS DRAWING CONTAINS INFORMATION THAT IS PROPRIETARY TO MOLEX ELECTRONIC TECHNOLOGIES, LLC AND SHOULD NOT BE USED WITHOUT WRITTEN PERMISSION										
DIMENSION UNITS	SCALE	CURRENT REV DESC:								
mm	NTS									
GENERAL TOLERANCES (UNLESS SPECIFIED)		EC NO: 743277 DRWN: DANUSA 2022/11/18 CHK'D: SUAIFR 2023/03/22 APPR: MRAMAKRISHNA 2023/03/23					1.27MM PITCH SMT HEADER WITH CAP PACKED IN TUBE			
ANGULAR TOL	± 3.0 °						PRODUCT CUSTOMER DRAWING			
4 PLACES	±						DOCUMENT NUMBER			
3 PLACES	±						SD-87933-0001			
2 PLACES	± 0.2						DOC TYPE DOC PART REVISION			
1 PLACE	±	INITIAL REVISION:					PSD 000 C5			
0 PLACES	±	DRWN: SCHEONG 2016/09/14 APPR: SCHEONG 2016/11/10								
DRAFT WHERE APPLICABLE MUST REMAIN WITHIN DIMENSIONS		THIRD ANGLE PROJECTION	DRAWING	SERIES	MATERIAL NUMBER	CUSTOMER	SHEET NUMBER			
			A3-SIZE	87933	SEE TABLE	GENERAL MARKET	5 OF 6			

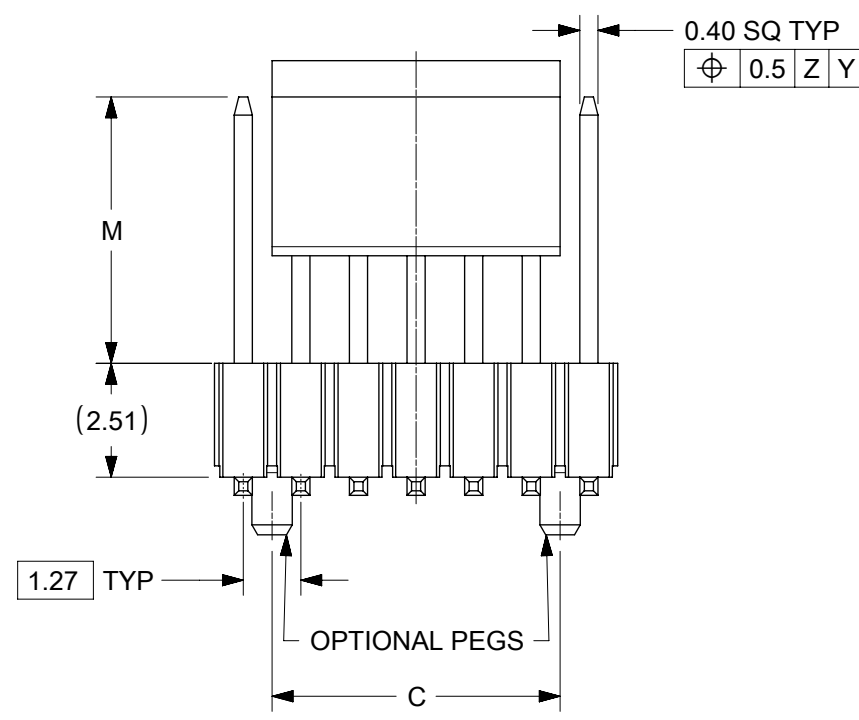
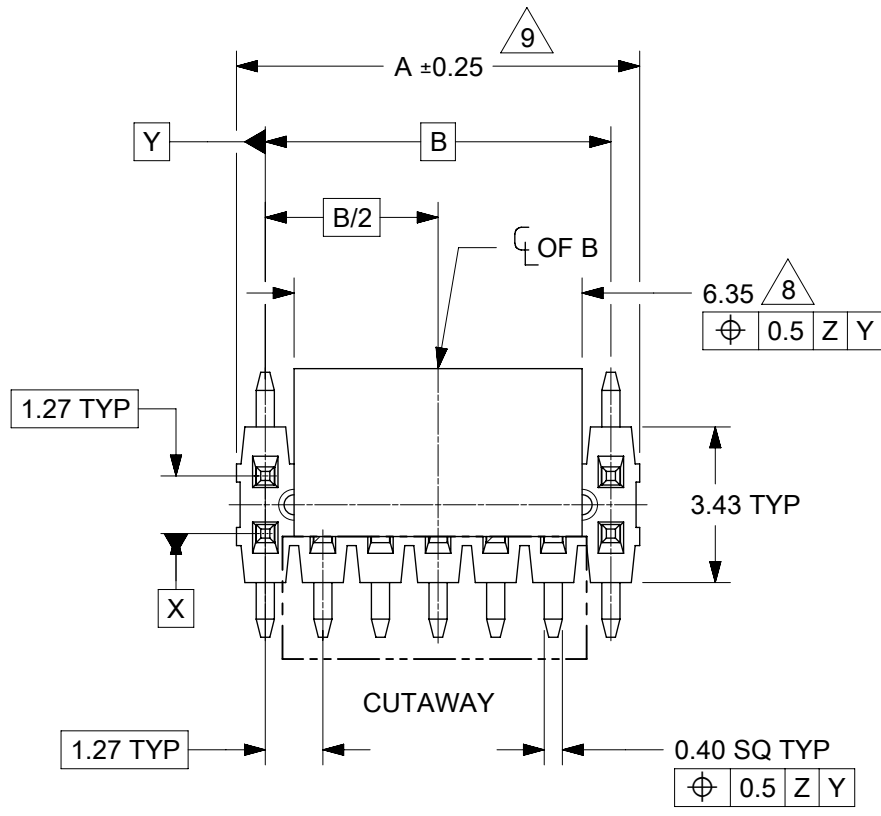
DOCUMENT STATUS	P1	RELEASE DATE	2023/03/23	05:13:54
-----------------	----	--------------	------------	----------

BOARD TO BOARD (BTB) DISTANCE

HEADER	MATES WITH (RECEPTACLE)	BTB DIST.	PICTORIAL VIEW
87933	78120	7.57	

THIS DRAWING CONTAINS INFORMATION THAT IS PROPRIETARY TO MOLEX ELECTRONIC TECHNOLOGIES, LLC AND SHOULD NOT BE USED WITHOUT WRITTEN PERMISSION										
DIMENSION UNITS	SCALE	CURRENT REV DESC:								
mm	NTS									
GENERAL TOLERANCES (UNLESS SPECIFIED)		EC NO: 743277 DRWN: DANUSA 2022/11/18 CHK'D: SUAIFR 2023/03/22 APPR: MRAMAKRISHNA 2023/03/23 INITIAL REVISION: DRWN: SCHEONG 2016/09/14 APPR: SCHEONG 2016/11/10				1.27MM PITCH SMT HEADER WITH CAP PACKED IN TUBE				
ANGULAR TOL	± 3.0 °					PRODUCT CUSTOMER DRAWING				
4 PLACES	±					DOCUMENT NUMBER		DOC TYPE	DOC PART	REVISION
3 PLACES	±					SD-87933-0001		PSD	000	C5
2 PLACES	± 0.2					MATERIAL NUMBER		CUSTOMER		SHEET NUMBER
1 PLACE	±	SEE TABLE		GENERAL MARKET		6 OF 6				
0 PLACES	±									
DRAFT WHERE APPLICABLE MUST REMAIN WITHIN DIMENSIONS		THIRD ANGLE PROJECTION	DRAWING	SERIES	MATERIAL NUMBER		CUSTOMER		SHEET NUMBER	
			A3-SIZE	87933	SEE TABLE		GENERAL MARKET		6 OF 6	

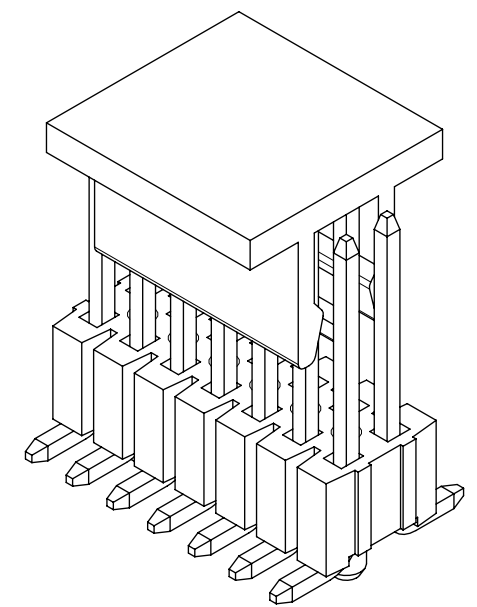
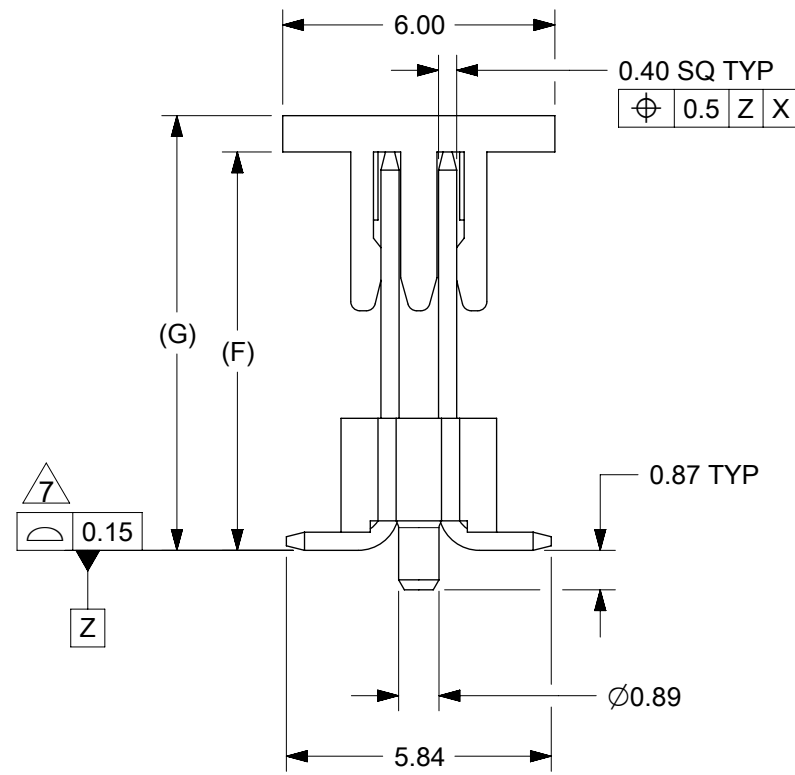
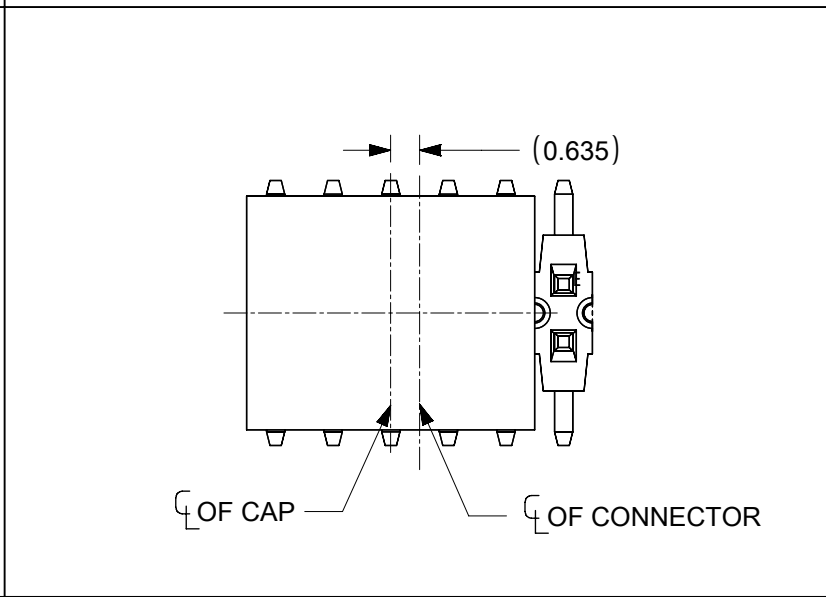
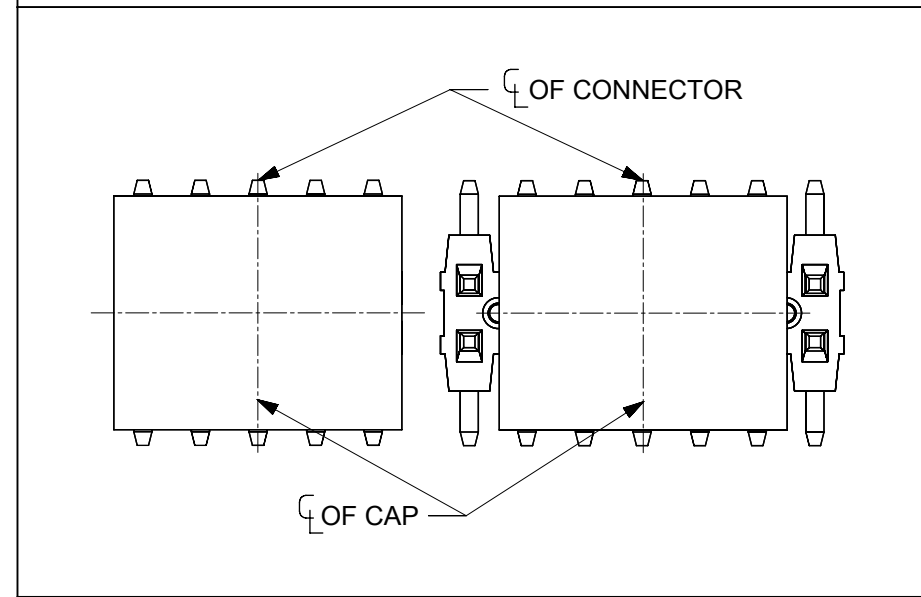
DOCUMENT STATUS	P1	RELEASE DATE	2023/03/23 05:13:54
-----------------	----	--------------	---------------------



8 CAP POSITION WITH RESPECT TO CONNECTOR

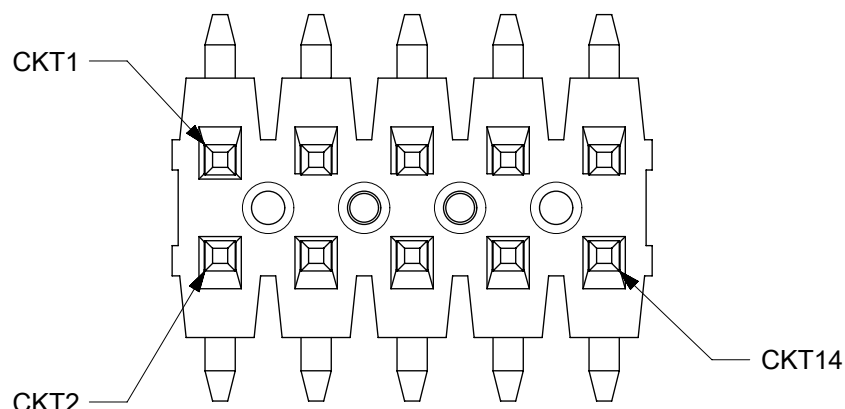
FOR CKT 10 & BELOW & CKT 14, 18, 22, 26, 30, 34, 38, 42, 46, 50, 54, 58, 62, 66, 70, 74, 78, 82, 86, 90, 94, 98

FOR 12, 16, 20, 24, 28, 32, 36, 40, 44, 48, 52, 56, 60, 64, 68, 72, 76, 80, 84, 86, 92, 96, 100

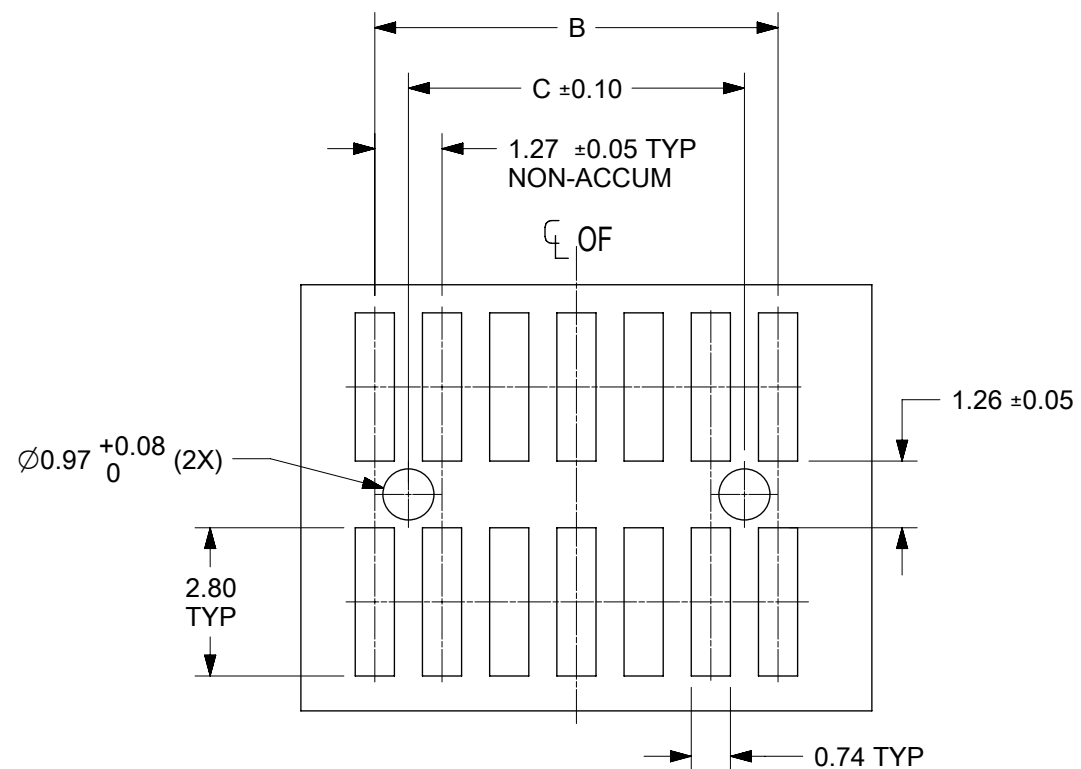
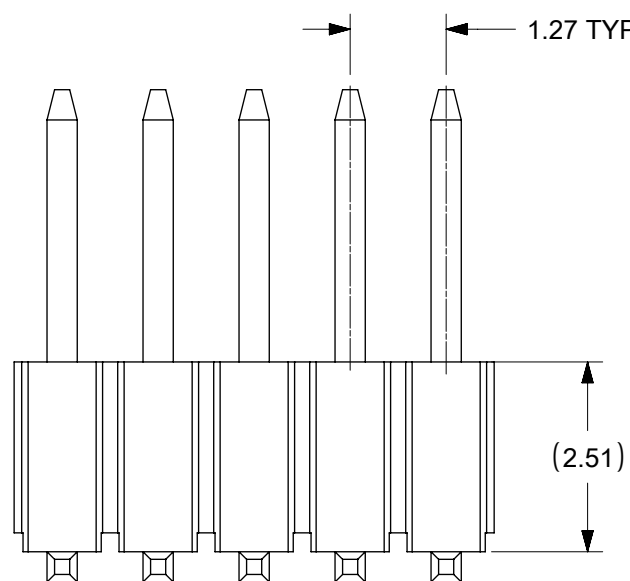


THIS DRAWING CONTAINS INFORMATION THAT IS PROPRIETARY TO MOLEX ELECTRONIC TECHNOLOGIES, LLC AND SHOULD NOT BE USED WITHOUT WRITTEN PERMISSION											
DIMENSION UNITS		SCALE		CURRENT REV DESC: REMASTERED & BTB DISTANCE UPDATE						molex	
mm		NTS									
GENERAL TOLERANCES (UNLESS SPECIFIED)											
		MM		INCH							
4 PLACES		±		±							
3 PLACES		±		±							
2 PLACES		±		0.2		±					
1 PLACE		±		±		±					
0 PLACES		±		±		±					
ANGULAR TOL		±		3.0°							
DRAFT WHERE APPLICABLE MUST REMAIN WITHIN DIMENSIONS				THIRD ANGLE PROJECTION		DRAWING		SERIES		MATERIAL NUMBER	
						A3-SIZE		87933		SEE TABLE	
								2007/04/24		CUSTOMER	
								2007/05/04		GENERAL MARKET	
										SHEET NUMBER	
										1 OF 4	

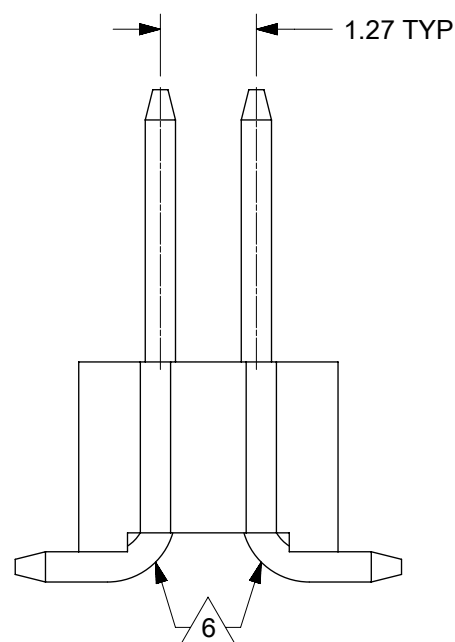
CIRCUITS POSITION CONFIGURATION



PART WITHOUT PEG AND CAP VERSION



RECOMMENDED PCB LAYOUT : COMPONENT SIDE




NOTES:

1. MATERIAL:
 - HSG: LCP, GLASS-FILLED, UL94V-0, COLOR: BLACK
 - CAP: NYLON, GLASS-FILLED, UL94V-0, COLOR: BLACK
 - PIN: 0.40MM SQ, COPPER ALLOY
2. PLATING TYPE:
 - (1) GOLD FLASH OVER
1.25µm MIN. NICKEL OVERALL.
 - (2) GOLD FLASH ON CONTACT AND
2.50µm MIN. TIN ON SOLDER TAIL OVER
1.25µm MIN. NICKEL OVERALL.
 - (3) 0.38µm MIN. GOLD PLATE ON CONTACT AND
2.00µm MIN. TIN ON SOLDER TAIL OVER
1.25µm MIN. NICKEL OVERALL.
 - (4) 0.76µm MIN. GOLD PLATE ON CONTACT AND
2.00µm MIN. TIN ON SOLDER TAIL OVER
1.25µm MIN. NICKEL OVERALL.
 - (5) 2.50µm MIN. TIN OVERALL
1.25µm MIN. NICKEL OVERALL
3. PACKAGING TYPE: SEE TABLE
4. PCB THICKNESS 1.60+/-0.10mm
5. PRODUCT SPECIFICATION: 879330001_PS
6. BEND DEPRESSION IS ACCEPTED SO LONG AS IT DOES NOT AFFECT THE OVERALL COPLANARITY OF TAIL
7. COPLANARITY IS TO BE MEASURED BY RESTING THE SOLDER TAIL ON A FLAT SURFACE
8. CAP POSITION TO BE LOCATED AS SHOWN
(A) REFER TO CKT SIZE ON SHEET 1
TOP SURFACE OF CAP TO BE FLAT FOR THE PURPOSE OF PICK & PLACE BY VACUUM SUCTION NOZZLE
9. IRREGULAR CIRCUIT CUTOFF WITHIN BREAKAWAY SECTION IS PERMISSIBLE. CUTTING OR CHIPPING OF THE MAIN BODY IS NOT ACCEPTABLE
10. PIN PUSH OUT FORCE: 0.4Kgf IN EITHER DIRECTION
11. THE ABOVE CKT 14 IS FOR ILLUSTRATION PURPOSE ONLY
12. PACKAGING SPECIFICATION:
T&R: PK-89990-567
TRAY: PK-89990-568/ PK-87933-300

THIS DRAWING CONTAINS INFORMATION THAT IS PROPRIETARY TO MOLEX ELECTRONIC TECHNOLOGIES, LLC AND SHOULD NOT BE USED WITHOUT WRITTEN PERMISSION											
DIMENSION UNITS		SCALE		CURRENT REV DESC: REMASTERED & BTB DISTANCE UPDATE							
mm		NTS									
GENERAL TOLERANCES (UNLESS SPECIFIED)											
4 PLACES		±		±							
3 PLACES		±		±							
2 PLACES		±		0.2		±					
1 PLACE		±		±		±					
0 PLACES		±		±		±					
ANGULAR TOL		±		3.0°							
DRAFT WHERE APPLICABLE MUST REMAIN WITHIN DIMENSIONS				THIRD ANGLE PROJECTION		DRAWING		SERIES		SHEET NUMBER	
						A3-SIZE		87933		2 OF 4	
DOCUMENT NUMBER		DOC TYPE		DOC PART		REVISION					
SD-87933-100		PSD		000		B1					
MATERIAL NUMBER		CUSTOMER									
SEE TABLE		GENERAL MARKET									

CKT SIZE	DIMENSION		
	A	B	C
04	2.54	1.27	-
06	3.81	2.54	-
08	5.08	3.81	-
10	6.35	5.08	3.81
12	7.62	6.35	-
14	8.89	7.62	-
16	10.16	8.89	-
18	11.43	10.16	-
20	12.70	11.43	10.16
22	13.97	12.70	-
24	15.24	13.97	-
26	16.51	15.24	-
28	17.78	16.51	-
30	19.05	17.78	16.51
32	20.32	19.05	-
34	21.59	20.32	-
36	22.86	21.59	-
38	24.13	22.86	-
40	25.40	24.13	22.86
42	26.67	25.40	-
44	27.94	26.67	-
46	29.21	27.94	-
48	30.48	29.21	-
50	31.75	30.48	29.21

PART NUMBER IN PACKAGING OPTION					CKT SIZE	PEG	PLATE OPT.	VOID POSITION	DIMENSION		
TRAY WITHOUT CAP	TRAY WITH CAP	TAPE & REEL WITH CAP	TUBE WITHOUT CAP	TUBE WITH CAP					G	F	MATING END
-	-	87933-1228	-	-	12	NO	3	-	7.21	5.96	3.05
-	-	87933-2020	-	-	20	NO	5	-	9.21	8.01	5.10
-	-	87933-5028	-	-	50	NO	3	-	7.21	5.96	3.05

THIS DRAWING CONTAINS INFORMATION THAT IS PROPRIETARY TO MOLEX ELECTRONIC TECHNOLOGIES, LLC AND SHOULD NOT BE USED WITHOUT WRITTEN PERMISSION															
DIMENSION UNITS		SCALE		CURRENT REV DESC: REMASTERED & BTB DISTANCE UPDATE				 CUSTOMER HEADER 1.27MM PITCH DUAL ROW HEADER,SINGLE WAFER,SMT							
mm		NTS													
GENERAL TOLERANCES (UNLESS SPECIFIED)				EC NO: 664214 DRWN: KSUTAR 2021/05/10 CHK'D: ABABUPS 2021/05/18 APPR: MRAMAKRISHNA 2021/05/18 INITIAL REVISION: DRWN: SKLIM01 2007/04/24 APPR: KWLEE 2007/05/04				PRODUCT CUSTOMER DRAWING							
								DOCUMENT NUMBER		DOC TYPE		DOC PART		REVISION	
								SD-87933-100		PSD		000		B1	
								MATERIAL NUMBER		CUSTOMER				SHEET NUMBER	
								SEE TABLE		GENERAL MARKET				3 OF 4	

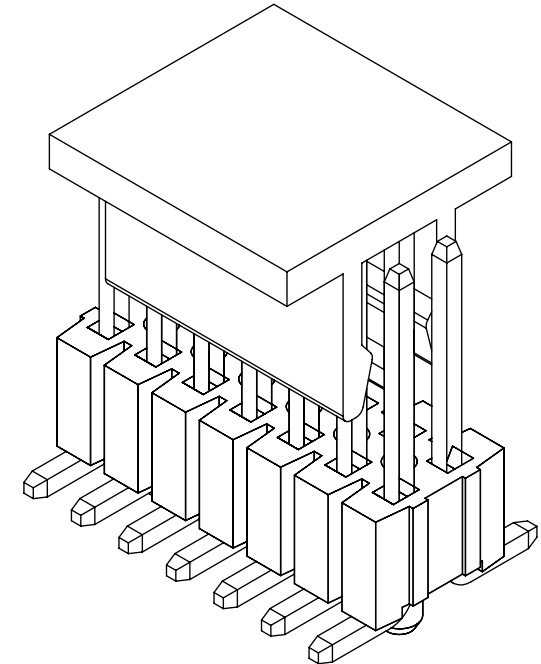
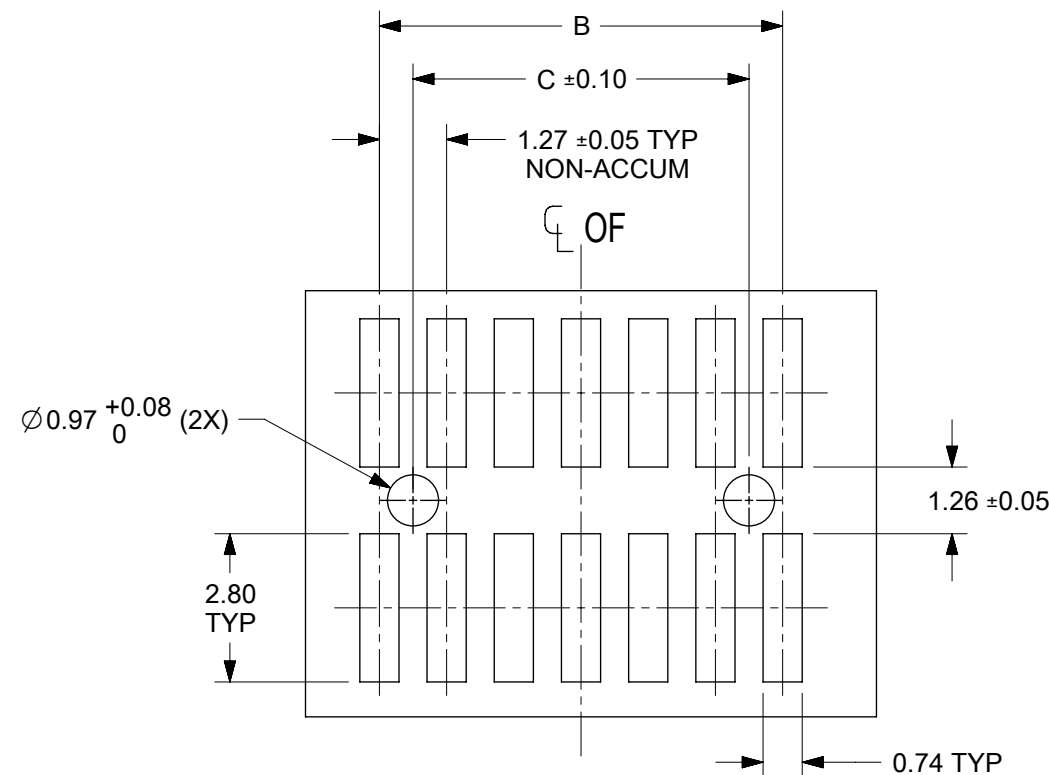
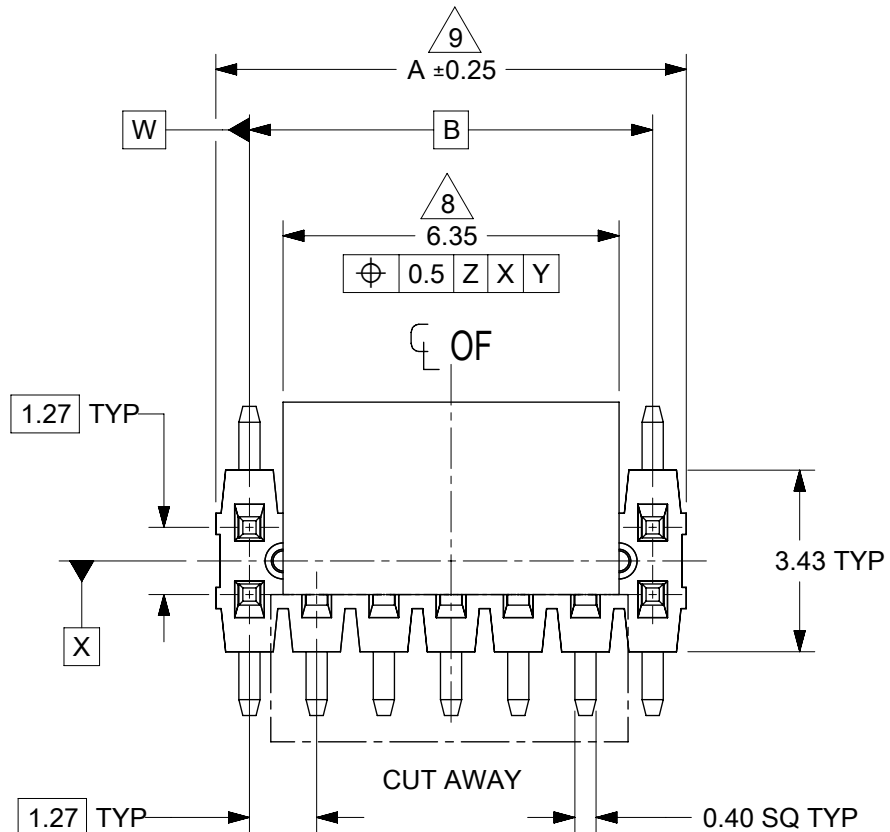
DOCUMENT STATUS	P1	RELEASE DATE	2021/05/18	14:43:05
-----------------	----	--------------	------------	----------

BOARD TO BOARD (BTB) DISTANCE

HEADER	MATES WITH (RECEPTACLE)	BTB DIST.	PICTORIAL VIEW
87933	78120	7.57	

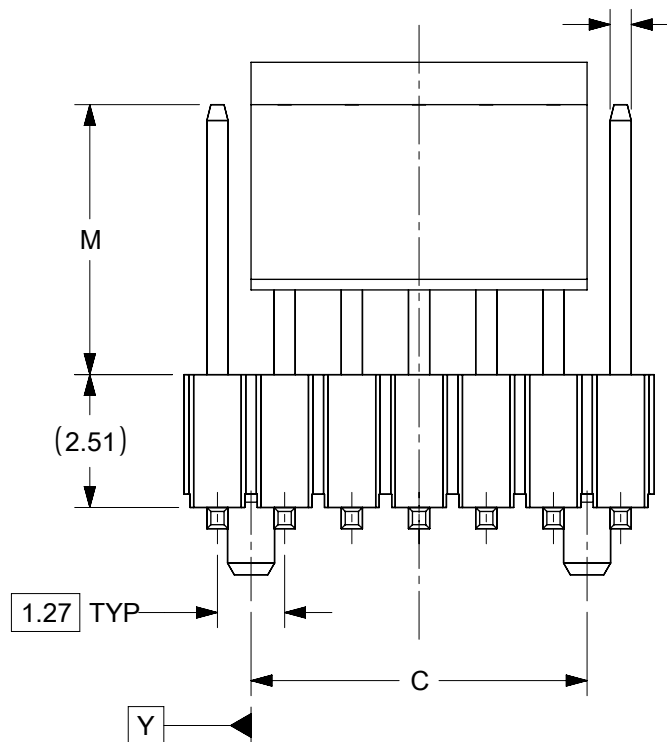
THIS DRAWING CONTAINS INFORMATION THAT IS PROPRIETARY TO MOLEX ELECTRONIC TECHNOLOGIES, LLC AND SHOULD NOT BE USED WITHOUT WRITTEN PERMISSION													
DIMENSION UNITS		SCALE		CURRENT REV DESC: REMASTERED & BTB DISTANCE UPDATE									
mm		NTS											
GENERAL TOLERANCES (UNLESS SPECIFIED)				EC NO: 664214 DRWN: KSUTAR 2021/05/10 CHK'D: ABABUPS 2021/05/18 APPR: MRAMAKRISHNA 2021/05/18 INITIAL REVISION: DRWN: SKLIM01 2007/04/24 APPR: KWLEE 2007/05/04				CUSTOMER DRAWING					
								1.27MM PITCH DUAL ROW HEADER,SINGLE WAFER,SMT					
								PRODUCT CUSTOMER DRAWING					
								DOCUMENT NUMBER		DOC TYPE	DOC PART	REVISION	
								SD-87933-100		PSD	000	B1	
DRAFT WHERE APPLICABLE MUST REMAIN WITHIN DIMENSIONS		THIRD ANGLE PROJECTION		DRAWING	SERIES	MATERIAL NUMBER	CUSTOMER		SHEET NUMBER				
				A3-SIZE	87933	SEE TABLE	GENERAL MARKET		4 OF 4				

DOCUMENT STATUS	P1	RELEASE DATE	2021/05/18	14:43:05
-----------------	----	--------------	------------	----------

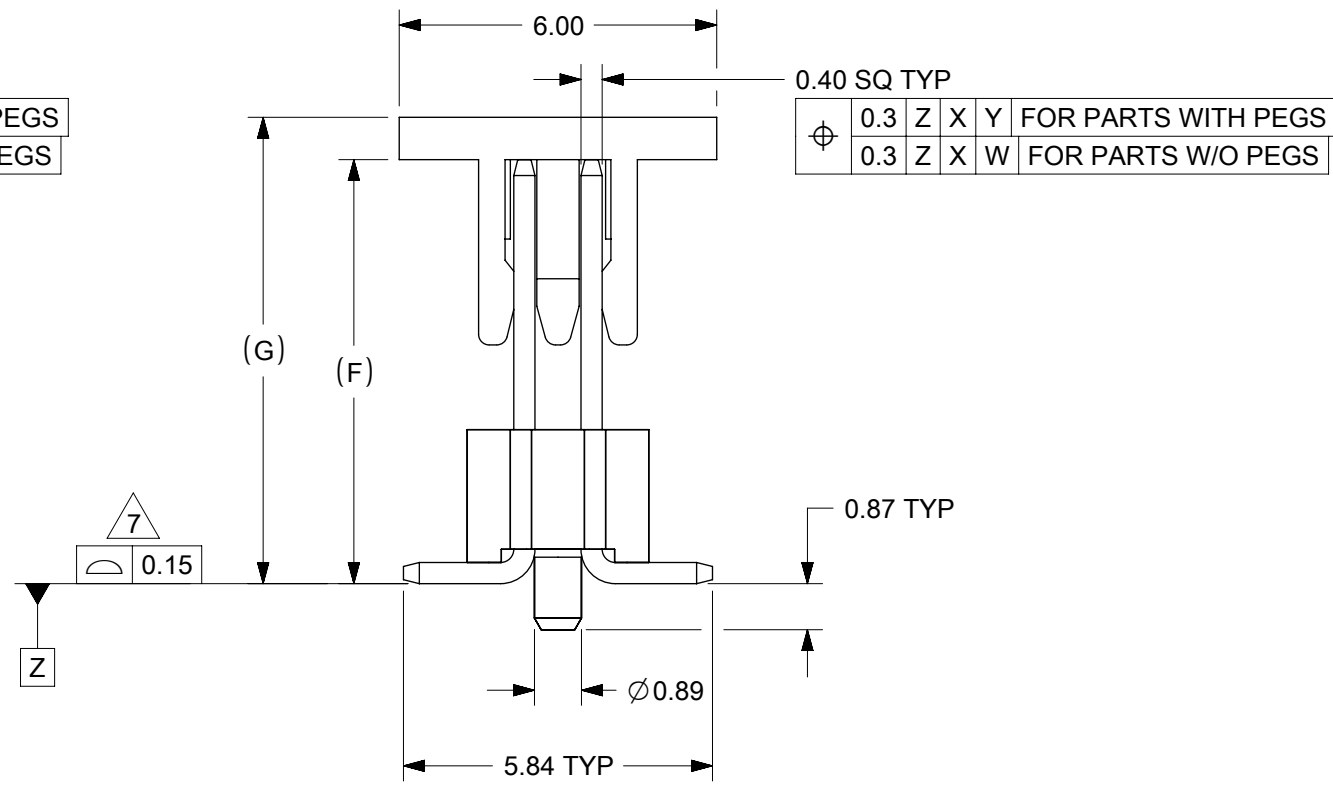


RECOMMENDED PCB LAYOUT: COMPONENT SIDE

Ø	0.3	Z	X	Y	FOR PARTS WITH PEGS
Ø	0.3	Z	X	W	FOR PARTS W/O PEGS



Ø	0.3	Z	X	Y	FOR PARTS WITH PEGS
Ø	0.3	Z	X	W	FOR PARTS W/O PEGS

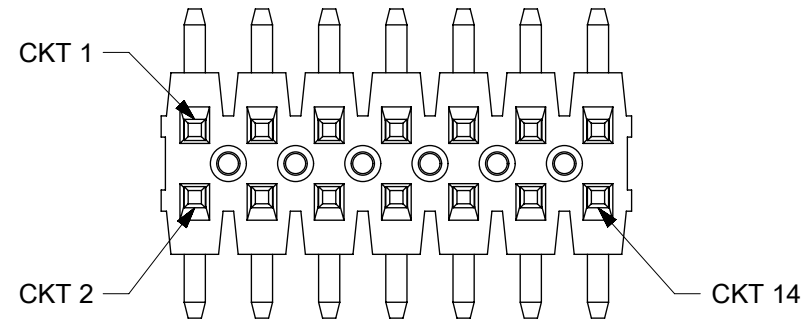


Ø	0.3	Z	X	Y	FOR PARTS WITH PEGS
Ø	0.3	Z	X	W	FOR PARTS W/O PEGS

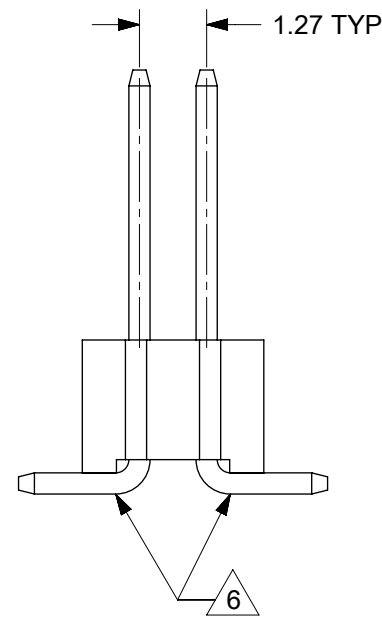
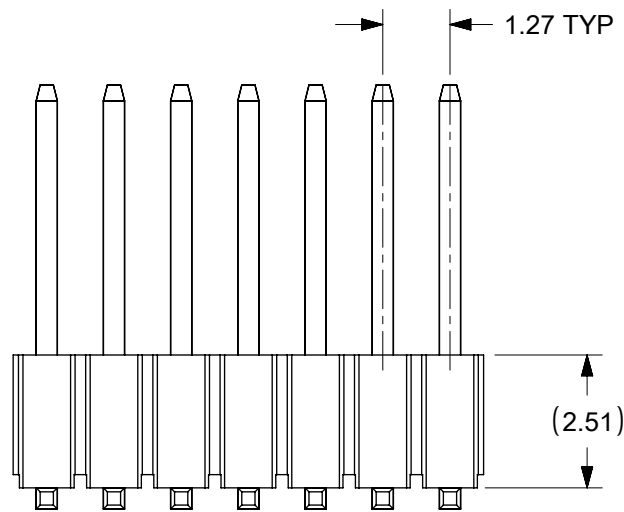
EM-87933-028

THIS DRAWING CONTAINS INFORMATION THAT IS PROPRIETARY TO MOLEX ELECTRONIC TECHNOLOGIES, LLC AND SHOULD NOT BE USED WITHOUT WRITTEN PERMISSION		CURRENT REV DESC: REMASTERED & BTB DISTANCE UPDATE		molex	
DIMENSION UNITS	SCALE				
MM	NTS			PRODUCT CUSTOMER DRAWING	
GENERAL TOLERANCES (UNLESS SPECIFIED)		EC NO: 664214		DOCUMENT NUMBER	
ANGULAR TOL ± 3.0°		DRWN: KSUTAR 2021/05/10		SD-87933-101	
4 PLACES ±		CHK'D: ABABUPS 2021/05/18		DOC TYPE DOC PART REVISION	
3 PLACES ±		APPR: MRAMAKRISHNA 2021/05/18		PSD 001 A	
2 PLACES ± 0.2		INITIAL REVISION:		MATERIAL NUMBER	
1 PLACE ±		DRWN: MRAMAKRISHNA 2015/05/04		CUSTOMER	
0 PLACES ±		APPR: MRAMAKRISHNA 2015/05/08		GENERAL MARKET	
DRAFT WHERE APPLICABLE MUST REMAIN WITHIN DIMENSIONS		THIRD ANGLE PROJECTION	DRAWING	SERIES	SHEET NUMBER
			A3-SIZE	87933	1 OF 4

CIRCUITS POSITION CONFIGURATION



PART WITHOUT PEG AND CAP VERSION



NOTES:

1. MATERIAL:
HSG: LCP, GLASS-FILLED, UL94V-0, COLOR: BLACK
CAP: NYLON, GLASS-FILLED, UL94V-0, COLOR: BLACK
PIN: 0.40MM SQ, COPPER ALLOY
2. PLATING TYPE:
 - (1) GOLD FLASH OVER
1.25µm MIN. NICKEL OVERALL.
 - (2) GOLD FLASH ON CONTACT AND
2.50µm MIN. TIN ON SOLDER TAIL OVER
1.25µm MIN. NICKEL OVERALL.
 - (3) 0.38µm MIN. GOLD PLATE ON CONTACT AND
2.00µm MIN. TIN ON SOLDER TAIL OVER
1.25µm MIN. NICKEL OVERALL.
 - (4) 0.76µm MIN. GOLD PLATE ON CONTACT AND
2.00µm MIN. TIN ON SOLDER TAIL OVER
1.25µm MIN. NICKEL OVERALL.
 - (5) 2.50µm MIN. TIN OVERALL
1.25µm MIN. NICKEL OVERALL
3. PACKAGING TYPE: SEE TABLE
4. PCB THICKNESS 1.60+/-0.10mm
5. PRODUCT SPECIFICATION: PS-87933-001
6. BEND DEPRESSION IS ACCEPTED SO LONG AS IT DOES NOT AFFECT THE OVERALL COPLANARITY OF TAIL
7. COPLANARITY IS TO BE MEASURED BY RESTING THE SOLDER TAIL ON A FLAT SURFACE
8. CAP POSITION TO BE LOCATED AT THE CENTER OF DIMENSION (A) REGARDLESS OF CIRCUIT SIZE
TOP SURFACE OF CAP TO BE FLAT FOR THE PURPOSE OF PICK & PLACE BY VACUUM SUCTION NOZZLE
9. IRREGULAR CIRCUIT CUTOFF WITHIN BREAKAWAY SECTION IS PERMISSIBLE. CUTTING OR CHIPPING OF THE MAIN BODY IS NOT ACCEPTABLE
10. PIN PUSH OUT FORCE: 0.4KgF IN EITHER DIRECTION
11. THE ABOVE CKT 14 IS FOR ILLUSTRATION PURPOSE ONLY
12. PACKAGING SPECIFICATION:
T&R: PK-89990-567
TRAY: PK-89990-568

EM-87933-028

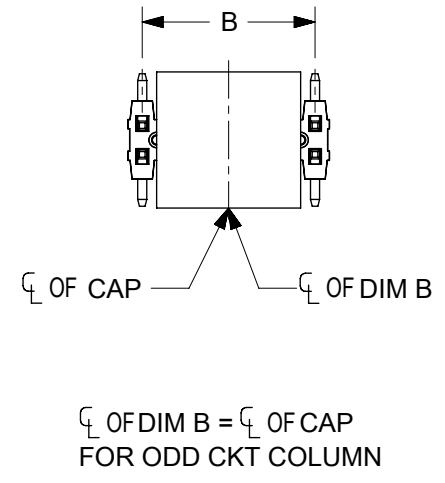
THIS DRAWING CONTAINS INFORMATION THAT IS PROPRIETARY TO MOLEX ELECTRONIC TECHNOLOGIES, LLC AND SHOULD NOT BE USED WITHOUT WRITTEN PERMISSION									
DIMENSION UNITS		SCALE		CURRENT REV DESC: REMASTERED & BTB DISTANCE UPDATE					
MM		NTS							
GENERAL TOLERANCES (UNLESS SPECIFIED)				EC NO: 664214				CUSTOM HEADER	
ANGULAR TOL ± 3.0 °				DRWN: KSUTAR 2021/05/10				1.27MM PITCH DUAL ROW HEADER, SINGLE WAFER, SMT	
4 PLACES ±				CHK'D: ABABUPS 2021/05/18				PRODUCT CUSTOMER DRAWING	
3 PLACES ±				APPR: MRAMAKRISHNA 2021/05/18				DOCUMENT NUMBER	
2 PLACES ± 0.2				INITIAL REVISION:				SD-87933-101	
1 PLACE ±				DRWN: MRAMAKRISHNA 2015/05/04				DOC TYPE	
0 PLACES ±				APPR: MRAMAKRISHNA 2015/05/08				PSD	
DRAFT WHERE APPLICABLE MUST REMAIN WITHIN DIMENSIONS				THIRD ANGLE PROJECTION		DRAWING		SHEET NUMBER	
						A3-SIZE		2 OF 4	
				SERIES		MATERIAL NUMBER		CUSTOMER	
				87933		SEE TABLE		GENERAL MARKET	

CKT SIZE	DIMENSION		
	A	B	C
04	2.54	1.27	-
06	3.81	2.54	-
08	5.08	3.81	-
10	6.35	5.08	3.81
12	7.62	6.35	-
14	8.89	7.62	-
16	10.16	8.89	-
18	11.43	10.16	-
20	12.70	11.43	10.16
22	13.97	12.70	-
24	15.24	13.97	-
26	16.51	15.24	-
28	17.78	16.51	-
30	19.05	17.78	16.51
32	20.32	19.05	-
34	21.59	20.32	-
36	22.86	21.59	-
38	24.13	22.86	-
40	25.40	24.13	22.86
42	26.67	25.40	-
44	27.94	26.67	-
46	29.21	27.94	-
48	30.48	29.21	-
50	31.75	30.48	29.21
64	40.64	39.37	-

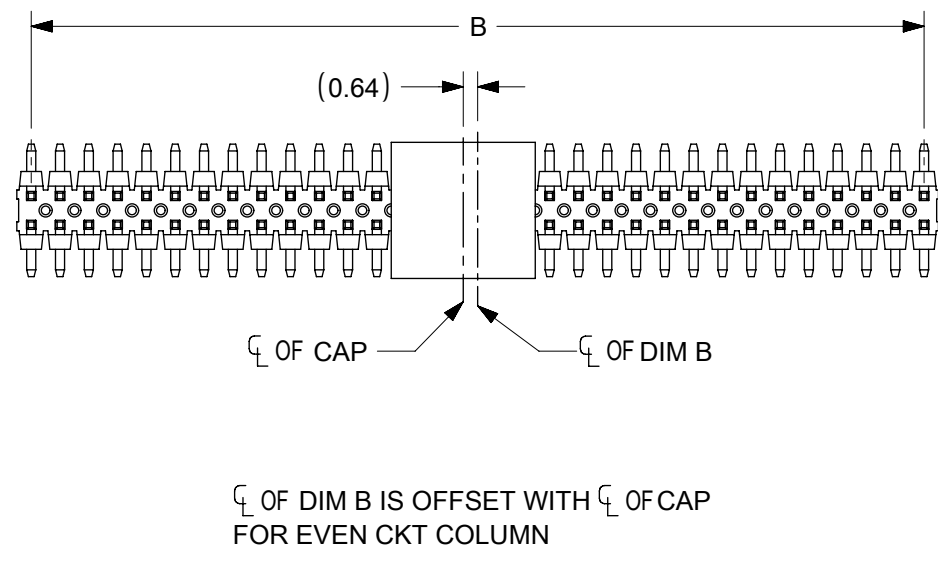
PART NUMBER IN PACKAGIN OPTION					CKT SIZE	PEG	PLATE OPT.	VOID POSITION	DIMENSION		
TRAY WITHOUT CAP	TRAY WITH CAP	TAPE & REEL WITH CAP W/O PEG	TUBE WITHOUT CAP	TUBE WITH CAP					G	F	MATING END
-	-	87933-6400	-	-	64	NO	1	-	7.21	5.96	3.05

CAD POSITION ILLUSTRATION FOR REFERENCE

FOR ILLUSTRATION 14 CKT AS SHOWN



FOR ILLUSTRATION 64 CKT AS SHOWN



EM-87933-028

THIS DRAWING CONTAINS INFORMATION THAT IS PROPRIETARY TO MOLEX ELECTRONIC TECHNOLOGIES, LLC AND SHOULD NOT BE USED WITHOUT WRITTEN PERMISSION												
DIMENSION UNITS	SCALE	CURRENT REV DESC: REMASTERED & BTB DISTANCE UPDATE										
MM	NTS	<p>CUSTOM HEADER 1.27MM PITCH DUAL ROW HEADER,SINGLE WAFER,SMT</p>										
GENERAL TOLERANCES (UNLESS SPECIFIED)												
ANGULAR TOL	± 3.0 °	PRODUCT CUSTOMER DRAWING										
4 PLACES	±	EC NO: 664214		DRWN: KSUTAR		2021/05/10		DOCUMENT NUMBER		DOC TYPE	DOC PART	REVISION
3 PLACES	±	CHK'D: ABABUPS		APPR: MRAMAKRISHNA		2021/05/18		SD-87933-101		PSD	001	A
2 PLACES	± 0.2	INITIAL REVISION:		DRWN: MRAMAKRISHNA		2015/05/04		MATERIAL NUMBER		CUSTOMER		
1 PLACE	±	APPR: MRAMAKRISHNA		2015/05/08		SERIES		87933		GENERAL MARKET		
0 PLACES	±	DRAFT WHERE APPLICABLE MUST REMAIN WITHIN DIMENSIONS		THIRD ANGLE PROJECTION		DRAWING		A3-SIZE		SHEET NUMBER		
										3 OF 4		

DOCUMENT STATUS	P1	RELEASE DATE	2021/05/18	14:43:06
-----------------	----	--------------	------------	----------

BOARD TO BOARD (BTB) DISTANCE

HEADER	MATES WITH (RECEPTACLE)	BTB DIST.	PICTORIAL VIEW
87933	78120	7.57	

THIS DRAWING CONTAINS INFORMATION THAT IS PROPRIETARY TO MOLEX ELECTRONIC TECHNOLOGIES, LLC AND SHOULD NOT BE USED WITHOUT WRITTEN PERMISSION									
DIMENSION UNITS	SCALE	CURRENT REV DESC: REMASTERED & BTB DISTANCE UPDATE							
MM	NTS								
GENERAL TOLERANCES (UNLESS SPECIFIED)		EC NO: 664214			CUSTOM HEADER 1.27MM PITCH DUAL ROW HEADER,SINGLE WAFER,SMT				
ANGULAR TOL ± 3.0 °		DRWN: KSUTAR 2021/05/10							
4 PLACES ±	CHK'D: ABABUPS 2021/05/18			PRODUCT CUSTOMER DRAWING					
3 PLACES ±	APPR: MRAMAKRISHNA 2021/05/18								
2 PLACES ± 0.2	INITIAL REVISION:			DOCUMENT NUMBER		DOC TYPE	DOC PART	REVISION	
1 PLACE ±	DRWN: MRAMAKRISHNA 2015/05/04			SD-87933-101		PSD	001	A	
0 PLACES ±	APPR: MRAMAKRISHNA 2015/05/08			MATERIAL NUMBER		CUSTOMER		SHEET NUMBER	
DRAFT WHERE APPLICABLE MUST REMAIN WITHIN DIMENSIONS		THIRD ANGLE PROJECTION	DRAWING	SERIES	SEE TABLE		GENERAL MARKET		4 OF 4
			A3-SIZE	87933					

DOCUMENT STATUS	P1	RELEASE DATE	2021/05/18	14:43:06
-----------------	----	--------------	------------	----------