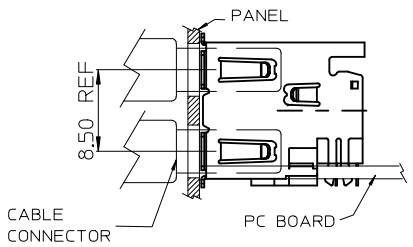
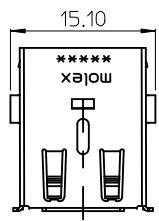
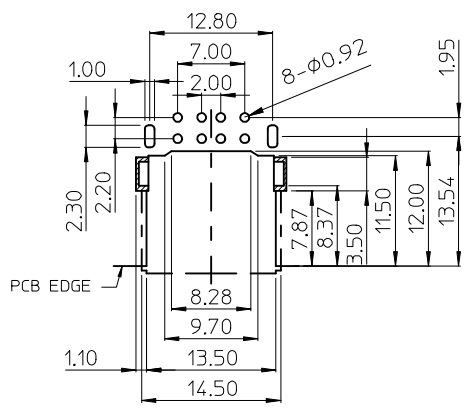


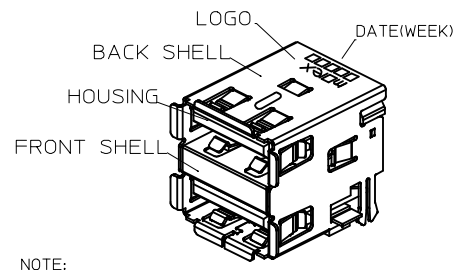
7 6 5 4 3 2 1



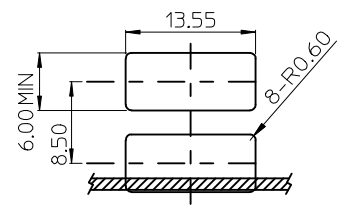
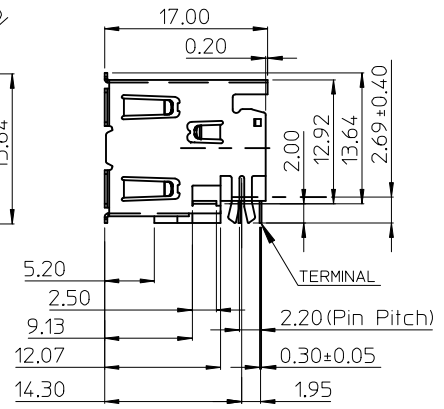
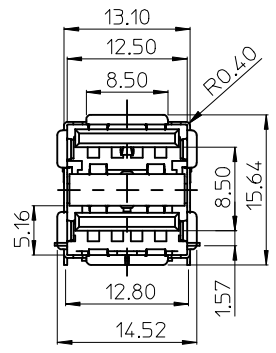
RECESSED MOUNTING CONFIGURATION



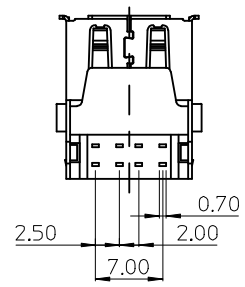
RECOMMENDED PCB LAYOUT COMPONENT SIDE VIEW



- NOTE:
- MATERIAL:
 - HOUSING: NYLON GLASS-FIBER REINFORCED, UL94-V0, COLOR: BLACK.
 - TERMINAL: PHOSPHOR BRONZE.
 - METAL SHELL: FRONT SHELL: SUS 304
 - BACK SHELL: BRASS
 - PLATING:
 - TERMINAL:
 - CONTACT AREA: SEE TABLE
 - SOLDER TAIL: TIN PLATED (Sn) ALLOY, THICKNESS=75 MICROINCH MIN.
 - UNDERPLATE: NICKEL (Ni), THICKNESS=50 MICROINCH MIN.
 - SURFACE APPEARANCE: BRIGHT.
 - METAL SHELL:
 - TIN PLATED (Sn) AT SOLDER AREA
 - THICKNESS=100 MICROINCH MINIMUM.
 - UNDER PLATE: NICKEL (Ni), (SOLDERING AVAILABLE)
 - THICKNESS=50 MICROINCH MINIMUM.
 - SURFACE APPEARANCE: BRIGHT.
 - RECOMMENDED PCB THICKNESS: 1.20±0.05MM
 - PRODUCT SPECIFICATION: REFER TO PS-67998-002
 - TEST SUMMARY: REFER TO TS-67298-007
 - PACKAGING SPECIFICATION:
 - REFER TO PK-67298-003 FOR TRAY.
 - REFER TO PK-67298-004 FOR TAPE & REEL.
 - LEAD FREE AND ROHS COMPLIANCE PRODUCT
 - FOR IR REFLOW PROCESS
 - WEEK CODE XXXXX



MOUNTING PANEL CUTOUT (INTERNAL SIDE)



PART NUMBER LEGEND

P/N	CONTACT PLATING	PACKAGE
67298-2090	GOLD FLASH	TRAY
67298-2091	30 MICROINCH GOLD	TRAY
67298-2190	GOLD FLASH	TAPE & REEL
67298-2191	30 MICROINCH GOLD	TAPE & REEL

L/F FOR 67298
 EC NO: SH20050529297
 DRWN: CHEN12
 CHKD:
 APPR: WWSCHANG

REV	DESCRIPTION
B	

QUALITY SYMBOLS	
	=0
	=0

GENERAL TOLERANCES (UNLESS SPECIFIED)		
	mm	INCH
4 PLACES	± ---	± ---
3 PLACES	± ---	± ---
2 PLACES	± 0.25	± ---
1 PLACE	± 0.25	± ---
ANGULAR ± 3 °		

DRAFT WHERE APPLICABLE MUST REMAIN WITHIN DIMENSIONS

DIMENSION STYLE	
MM ONLY	
DRAWN BY	DATE
IVY-LIN	05/04/18
CHECKED BY	DATE
ALLEN	05/04/18
APPROVED BY	DATE
WWSCHANG	05/04/18
MATERIAL NO.	
SIZE	SEE TABLE

SCALE	DESIGN UNITS	THIRD ANGLE PROJECTION
	METRIC	
TITLE		
USB DUAL STACKED A CONNECTOR (LEAD FREE VERSION)		
MOLEX INCORPORATED		
DOCUMENT NO.	SHEET NO.	
SD-67298-007	1 OF 1	

6 5 4 3 2 1