

## har-modular M1-flat module male str.



Image is for illustration purposes only. Please refer to product description.

Part number	02 53 901 0451
Specification	har-modular M1-flat module male str.
HARTING eCatalogue	<a href="https://b2b.harting.com/02539010451">https://b2b.harting.com/02539010451</a>

### Identification

Category	Connectors
Series	har-modular®
Identification	M1 module flat
Element	Male connector
Description of the contact	Straight

### Version

Width of the module	10.16 mm
Connection type	Mezzanine
Number of contacts	1
Details	Please order contacts separately.

### Technical characteristics

Clearance distance	4 mm in the module 2 mm to module edge
Creepage distance	4 mm in the module 2 mm to module edge
Insulation resistance	$>10^{11} \Omega$
Limiting temperature	-55 ... +125 °C
Insertion and withdrawal force	$\leq 10$ N
Mating cycles	$\geq 500$
Test voltage $U_{r,m.s.}$	1.55 kV
Isolation group	I ( $600 \leq CTI$ )

### Technical characteristics

Hot plugging	No
Moisture Sensitivity Level (MSL)	1 acc. to ECA/IPC/JEDEC J-STD-020D

### Material properties

Material (insert)	Polyamide (PA)
Colour (insert)	Black
Material flammability class acc. to UL 94	V-0

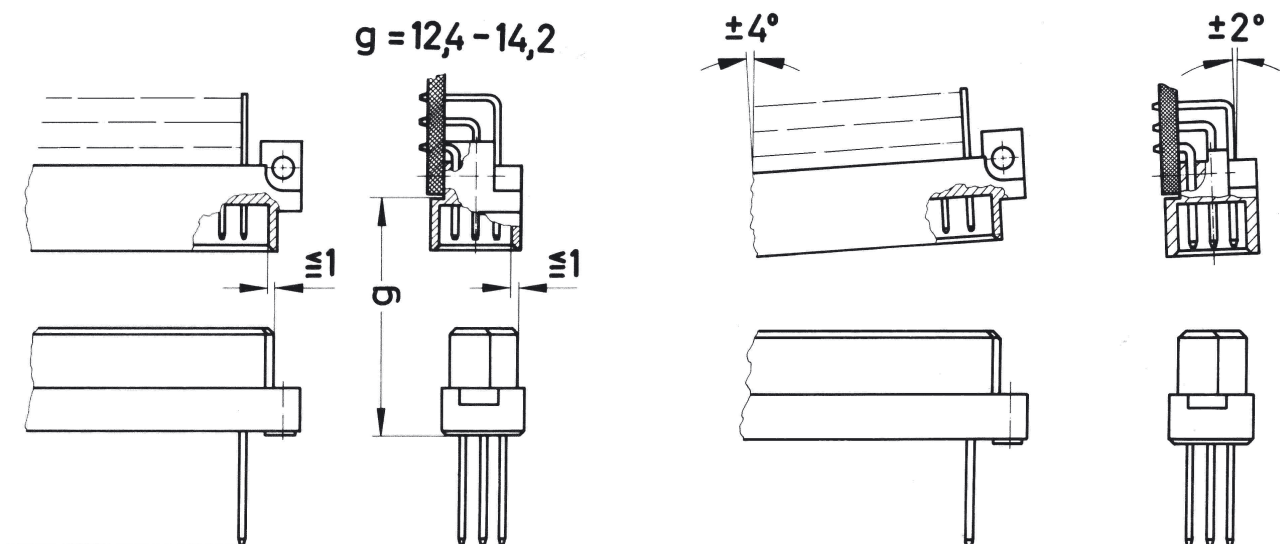
### Specifications and approvals

Railway classification	F1/I2 acc. to NFF 16-101/102
------------------------	------------------------------

### Commercial data

Packaging size	20
Net weight	0.9 g
Country of origin	Romania
European customs tariff number	85389099
eCl@ss	27460201 PCB connector (board connector)

### Mating conditions



To ensure reliable connections and prevent unnecessary damage, please refer to the application data diagrams. These recommendations are set out in IEC 60603-2.

The connectors should not be coupled and decoupled under electrical load.