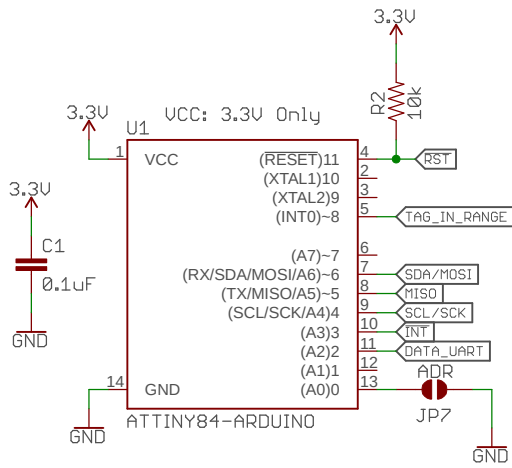
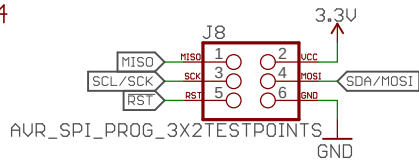
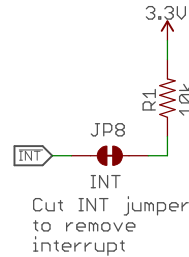
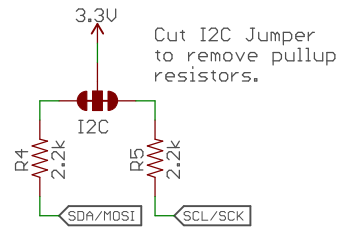


ATTINY84

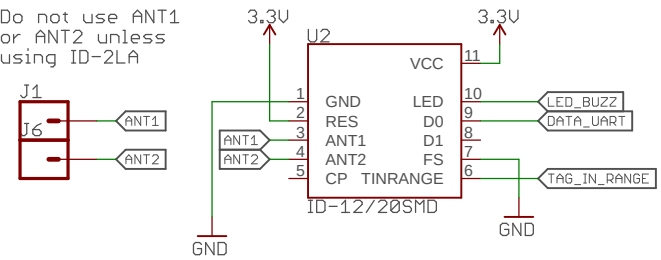


7-Bit Unshifted I2C Address
 Open Jumper (Default): 0x7D
 Closed Jumper: 0x7C
 Software configurable

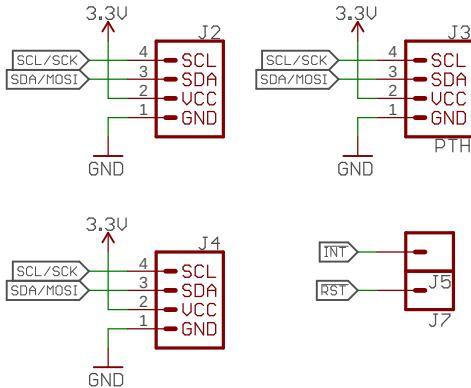


RFID READER

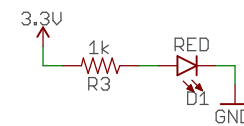
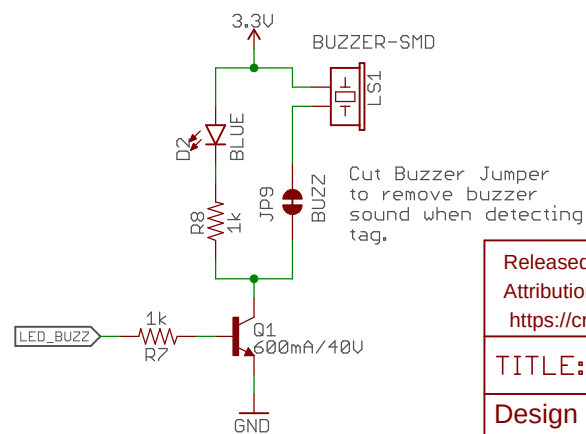
Do not use ANT1 or ANT2 unless using ID-2LA



QWIIIC CONNECTORS



Buzzer and Power LED



Released under the Creative Commons Attribution Share-Alike 4.0 License
<https://creativecommons.org/licenses/by-sa/4.0/>

TITLE: Qwiic RFID - IDXXLA

Design by:
 Elias Santsitevan

REV:
 v10

Date: 2/28/2019 11:58 AM

Sheet: 1/1