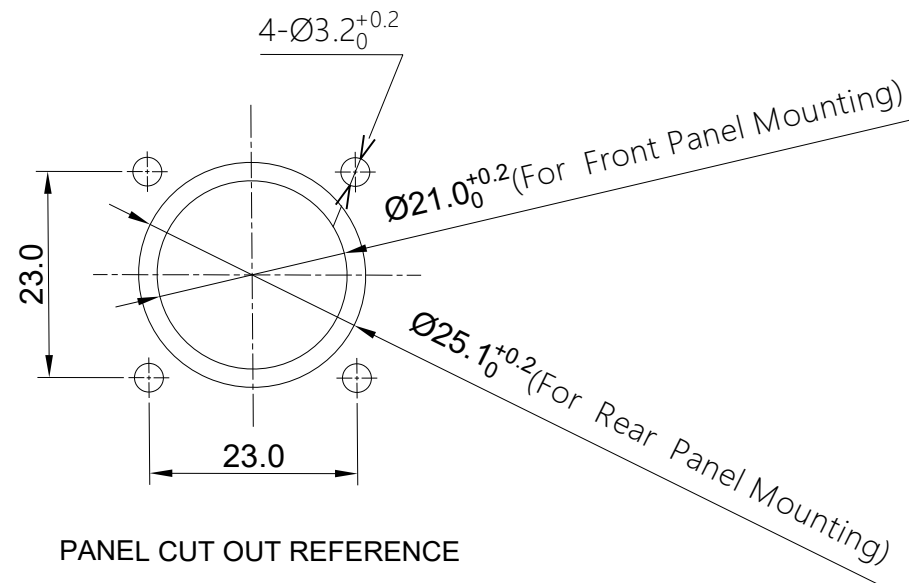
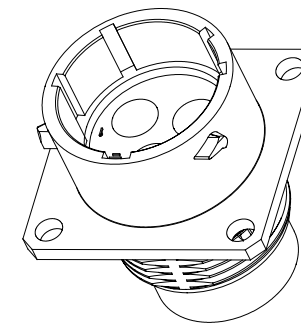
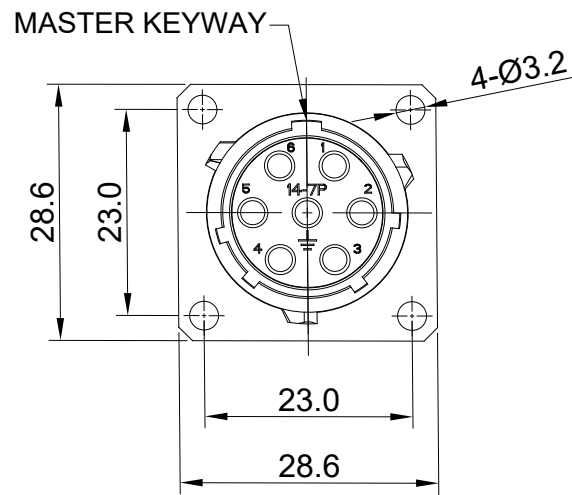
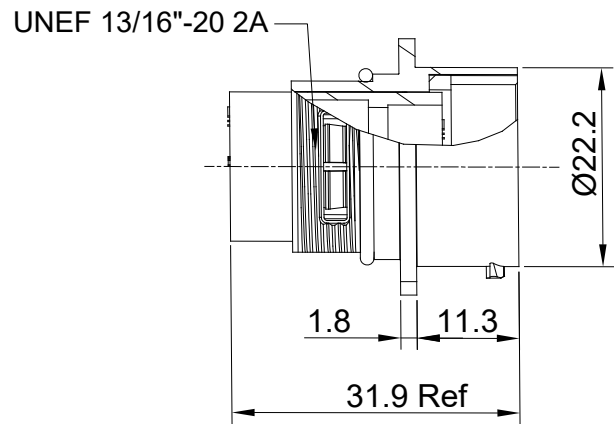


| REVISIONS | | | | | |
|-----------|-----|------------------|-------------|------|-------|
| REV | ECO | DESCRIPTION | DATE | BY | APPR |
| A1 | - | RELEASED DRAWING | May-15-2019 | Zaki | Tommy |



NOTES: (UNLESS OTHERWISE SPECIFIED)

- MATERIAL:
 - SHELL: ZINC ALLOY, NICKEL PLATED.
 - INSERT: THERMOPLASTIC, UL94 V-0.
 - SEAL GASKET: NBR/SILICONE RUBBER.
- SPECIFICATIONS:
 - 2.1 RATED CURRENT: 13A (MAX)
 - 2.2 RATED VOLTAGE: 600V AC/DC
 - 2.3 OPERATING TEMPERATURE: SEE CHART.
 - 2.4 DIELECTRIC WITHSTANDING VOLTAGE: LESS THAN 2 MILLIAMPS CURRENT LEAKAGE@2500 VOLTS AC.
 - 2.5 INSULATION RESISTANCE: 5000 MEGOHMS MIN.
 - 2.6 IP--CLASS: IP67.
 - 2.7 MATING CYCLES DURABILITY: 500 CYCLES MIN.
 - 2.8 RoHS COMPLIANT.
- SUITABLE CONTACTS : 16# CONTACTS
- ALL DIMENSIONS ARE FOR REFERENCE USE ONLY.

| KEY POS | PART NUMBER | |
|---------|---------------|---------------|
| | -40°C ~ 105°C | -40°C ~ 125°C |
| N | RT00147PNH | RT00147PNH03 |
| W | RT00147PWH | RT00147PWH03 |
| X | RT00147PXH | RT00147PXH03 |
| Y | RT00147PYH | RT00147PYH03 |
| Z | RT00147PZH | RT00147PZH03 |

| QUANTITY | PART NUMBER | DESCRIPTION | ITEM |
|---|-------------|--|---|
| MATERIALS LIST | | | |
| UNLESS OTHERWISE SPECIFIED 1) All dimensions are in metric(mm). 2) Tolerances are as follows: 1 PL DEC ±0.30 Fractions ±1/64 2 PL DEC ±0.15 Angles ±1° 3 PL DEC ±0.08 3) Note reference = \triangle | | SIGNATURES DATE DRAWN: Zaki May-15-2019 CHECKED: Martin May-15-2019 ENGINEER: APPROVAL: Tommy May-15-2019 CUSTOMER: | Amphenol Sine Systems - www.amphenol-sine.com 44724 Morley Drive Clinton Township, MI 48036 |
| MATERIAL SPECIFICATIONS: | | ECO-MATE, RECEPTACLE, SIZE 14,7POS,PIN. | |
| PROCESS SPECIFICATIONS: | | THIS DRAWING IS SUPPLIED FOR INFORMATION ONLY. DESIGN FEATURES, SPECIFICATIONS AND PERFORMANCE DATA SHOWN HEREON ARE THE PROPERTY OF THE AMPHENOL CORPORATION. NO RIGHTS OF REPRODUCTION ARE IMPLIED. ALL DIMENSIONS ARE SUBJECT TO NORMAL MANUFACTURING VARIATIONS. | |
| NEXT ASSY: | | SIZE: B TYPE: C- SCALE: NONE | DWG NO: RT00147P*H** REVISION: A1 SHEET 1 OF 1 |

TITLE: ECO-MATE RECEPTACLE SIZE 14,7POS,PIN DWG NO: RT00147P*H** REV: A1 SH: 1 OF: 1