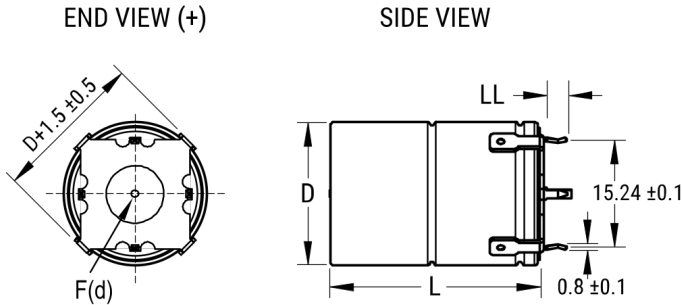


## PEH225MJ4140QE4

Aliases (PEH225MJ4140Q)

PEH225, Aluminum Electrolytic, 1,400 uF, -10/+30%, 63 VDC, -40/+150°C



Note: '(d)' correspond to the letters used in the product bulletin

Click [here](#) for the 3D model.

Dimensions	
D	20.2mm +/-0.5mm
L	35.7mm +/-1mm
LL	3.3mm +/-0.5mm
F	1mm +/-0.03mm

Packaging Specifications	
Packaging	Tray

General Information	
Series	PEH225
Dielectric	Aluminum Electrolytic
Style	Radial Crown
Description	Radial Crown Aluminum Electrolytic
RoHS	Yes
Lead	Radial Crown
Qualifications	AEC-Q200
AEC-Q200	Yes
Halogen Free	Yes
Component Weight	20 g
Miscellaneous	Rated Voltage Measured At 125C.
Shelf Life	520 Weeks

Specifications	
Capacitance	1,400 uF
Capacitance Tolerance	-10/+30%
Voltage DC	63 VDC (125C), 54 VDC (150C)
Temperature Range	-40/+150°C
Rated Temperature	125°C
Life	8400 Hrs (Rated Voltage At 125C), 2000 Hrs (Rated Voltage At 150C)
Resistance	57 mOhms (100Hz 20C), 22 mOhms (100kHz 20C), 11.9 mOhms (100kHz 150C)
Ripple Current	20.9 Amps (5kHz 125C), 13.2 Amps (5kHz 140C), 5.9 Amps (5kHz 150C), 7.3 Amps (5kHz 125C), 9.2 Amps (>=5kHz 125C Reduced Voltage)
Leakage Current	268.6 uA (5min 20°C)

Statements of suitability for certain applications are based on our knowledge of typical operating conditions for such applications, but are not intended to constitute - and we specifically disclaim - any warranty concerning suitability for a specific customer application or use. This information is intended for use only by customers who have the requisite experience and capability to determine the correct products for their application. Any technical advice inferred from this information or otherwise provided by us with reference to the use of our products is given gratis, and we assume no obligation or liability for the advice given or results obtained.