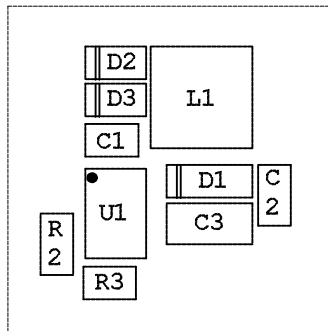


* Shutdown current reduced without R1 installed.
Please see datasheet for details

PCB Layout



LT1933ES6

Linear Technology Corp. 1630 McCarthy Blvd., Milpitas, CA 95035-7417 Phone: (408)432-1900 Fax: (408)434-0507		
Title 36V 600mA 500kHz SOT-23 STEP-DOWN REGULATOR		
Size	Document Number Demo Circuit 662A	Rev 2
Date:	Thursday, September 02, 2004 Sheet 1 of 1	