



LAYOUT SHOWN AS EXAMPLE

Keying Shown as example

CHARACTERISTICS

- Standard : Based on MIL-DTL-38999 Series III
- Shell Material : Stainless Steel
- Shell Plating : Nickel
- Insulator : Thermoplastic
- Contacts : Copper Alloy
- Seals & Grommet : Silicon Elastomer
- Contact Plating : Gold over copper Alloy 0.8µm minimum
- Durability : 500 Mating cycles
- Delivered without Souriau contacts
- Temperature Range : -65°C to +200°C
- Salt Spray : 500 hours

Connector dimension	
Dim	Nominal
A	34.9±0.3
B	19.07+0.1/-0.15
R	32.5Max
S	31.8±0.4
W	2.2+0.9/-0.1
VV THREAD	M15x1-6g

SOURIAU shall not be liable for any non-conformity or damage due to a use of the Products which does not comply with the Specifications issued by either of the Parties or by a third party (professional recommendation, technical notice.)

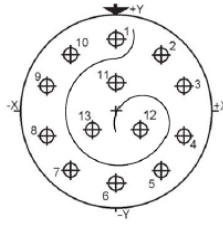
Country	Jurisdiction & Control List
FR	Not Listed

PN: 8D711S35SNL

A	30-09-2016	First Release	
ISS	DATE	Latest modification - by	MOD N°
Designed By:		Date:	CUSTOMER DRAWING
TITLE	Stainless Steel Receptacle 8D series		
SCALE		General linear Tolerances: ±--	NPRDS / PROJECT 859
NA	SOURIAU WWW.SOURIAU.COM		This document is the property of SOURIAU it must not be reproduced or communicated without permission
FORMAT	A3		SOURIAU DRG N° 8D711S35SNL-C
			SHEET 1/2

BASIC SERIES:	8D	7	-	11	S	35	S	N	L	Delivered W/O Contacts
SHELL TYPE :	Jam nut Receptacle									ORIENTATION : N
CONTACT TYPE :	Standard Crimp Contact									CONTACT TYPE : SOCKET(500 Matings)
SHELL SIZE :	11									CONTACT LAYOUT : 11-35
PLATING :	S = Nickel									

Contact Layout

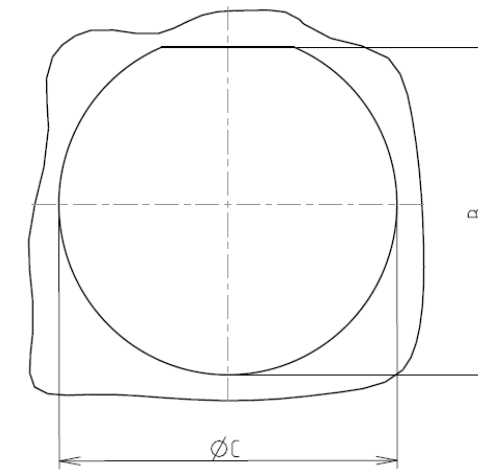


Contacts (Insert arrangement 11-35)					
Contact position ID	Location		Contact position ID	Location	
	X-axis (mm)	Y-axis (mm)		X-axis (mm)	Y-axis (mm)
1	+000 (0.00)	+146 (3.71)	8	-138 (3.51)	-045 (1.14)
2	+085 (2.16)	+118 (3.00)	9	-138 (3.51)	+045 (1.14)
3	+138 (3.51)	+045 (1.14)	10	-085 (2.16)	+118 (3.00)
4	+138 (3.51)	-045 (1.14)	11	+000 (0.00)	+056 (1.42)
5	+085 (2.16)	-118 (3.00)	12	+049 (1.24)	-035 (0.89)
6	+000 (0.00)	-146 (3.71)	13	-049 (1.24)	-035 (0.89)
7	-085 (2.16)	-118 (3.00)	---	---	---

(Applicable to MIL-DTL-38999 only)						
Shell size	Arrangement no.	Number of contacts	Size contacts	Service rating	Contact location	Supersedes
11	-35	13	22D	M	All	MS27526-35

Panel cutout

JAM NUT RECEPTACLE (TYPE 7)



Dim	Nominal
B	19.59+0/-0.25
ØC	20.96+0.25/-0

SOURIAU shall not be liable for any non-conformity or damage due to a use of the Products which does not comply with the Specifications issued by either of the Parties or by a third party (professional recommendation, technical notice.)

Country	Jurisdiction & Control List
FR	Not Listed

PN: 8D711S35SNL

A	30-09-2016	First Release	
ISS	DATE	Latest modification - by	MOD N°
Designed By:		Date:	CUSTOMER DRAWING
TITLE	Stainless Steel Receptacle 8D series		
SCALE		General linear Tolerances:	NPRDS / PROJECT
NA		±--	859
SOURIAU	WWW.SOURIAU.COM		This document is the property of SOURIAU it must not be reproduced or communicated without permission
FORMAT	SOURIAU DRG N° 8D711S35SNL-C		SHEET 2/2