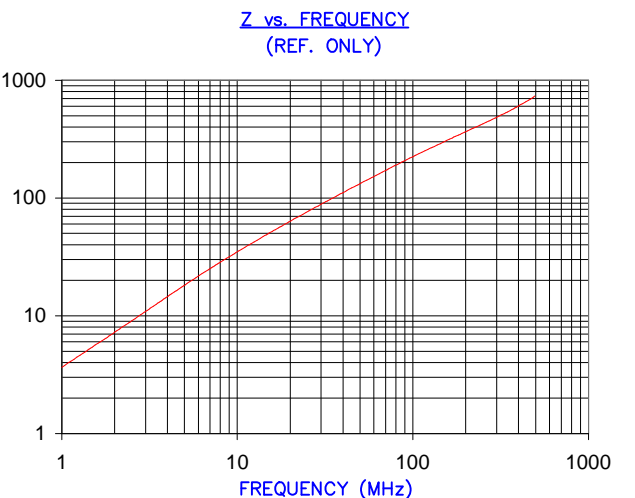


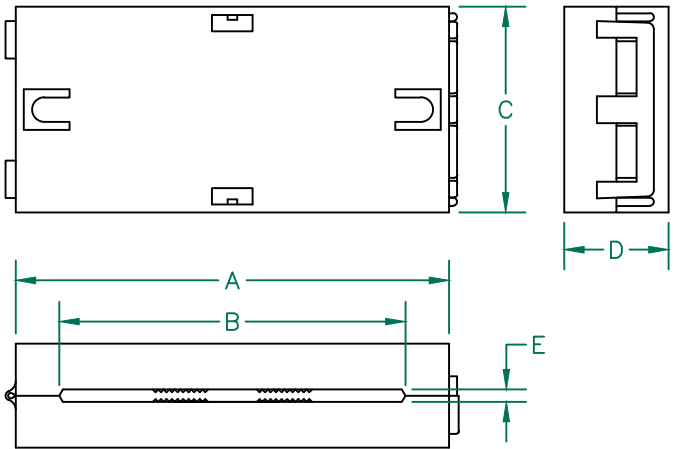
IMPEDANCE (Z)			
Frequency	25 MHz	100 MHz	300 MHz
Nominal (REF)	80 Ω	230 Ω	480 Ω
Minimum	- Ω	184 Ω	- Ω



AGILENT E4991A Impedance/Material Analyzer
HP 16092A-Test Fixture TEST REF. 3431

FERRITE CORE DIMENSIONS (SPEC): mm [in]

A	63.50 [2.500]	+ 1.27 [.050]	F	7.62 [.300]	+ 0.18 [.007]
B	52.07 [2.050]	+ 1.02 [.040]	G	31.75 [1.250]	+ 0.76 [.030]
C	24.38 [.960]	+ 0.64 [.025]	H	2.74 [.108]	+ 0.25 [.010]
D	6.75 [.266]	+ 0.25 [.010]	J	0.86 [.034]	+ 0.25 [.010]
E	1.24 [.049]	+ 0.25 [.010]			



NOTES:

- CASE UL FLAMMABILITY RATING: 94 V-0
- ASSEMBLED PART #: 28S2001-2A2
- CASE PRINT #: S2001-2C2
- CASE SPEC #: 21053 BLACK CASE.
- COSMETIC SPECIFICATION REFER TO WI-QA-038.

CASE DIMENSIONS (SPEC): mm [in]

A	67.08 [2.641]	+ 1.27 [.050]
B	53.75 [2.116]	+ 0.76 [.030]
C	27.53 [1.084]	+ 0.41 [.016]
D	16.66 [.656]	+ 0.76 [.030]
E	1.91 [.075]	+ 0.25 [.010]

DIMENSIONS ARE IN mm[INCHES].				This print is the property of Laird Tech. and is loaned in confidence subject to return upon request and with the understanding that no copies shall be made without the written consent of Laird Tech. All rights to design or invention are reserved.			Laird		
P	UPDATE THE LOGO AND NOTE 5	07/01/15	QIU	PROJECT/PART NUMBER: 28S2001-2A2	REV	P	PART TYPE: FERRITE SPLIT RIBBON	DRAWN BY: BAC	
M	UPDATE CORE DIMENSION D/E	10/17/11	Jca						
L	CHANGE HOLE	07/09/10	JUN						
K	REMOVE LOGO FROM CASE	03/03/09	JRK						
J	ADD DIMPLE DIAMETER DIMENSION	11/03/08	JRK						
H	CHANGE SPEC # TO 21053 IN NOTE 5 UPDATE COMPANY LOGO	06/30/08	TMB	DATE: 03/27/98	SCALE: N.T.S.	MATERIAL: Ferrite			
G	UPDATE MIN Z SPECS & COMPANY LOGO	07/31/07	TMB	CAD # 28S2001-2A2-P	TOOL # S2001				
F	REMOVE FOAM TAPE AND NOTE 6 UPDATE Z SPECS AND ADD TEST REF #	07/06/04	TMB						
REV	DESCRIPTION	DATE	INT						